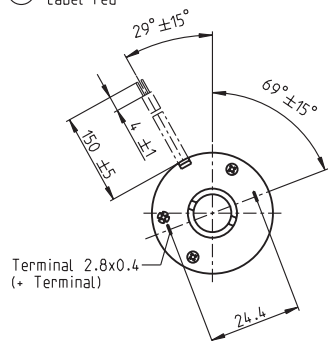


A-max 32 $\varnothing 32$ mm, Graphite Brushes, 20 Watt

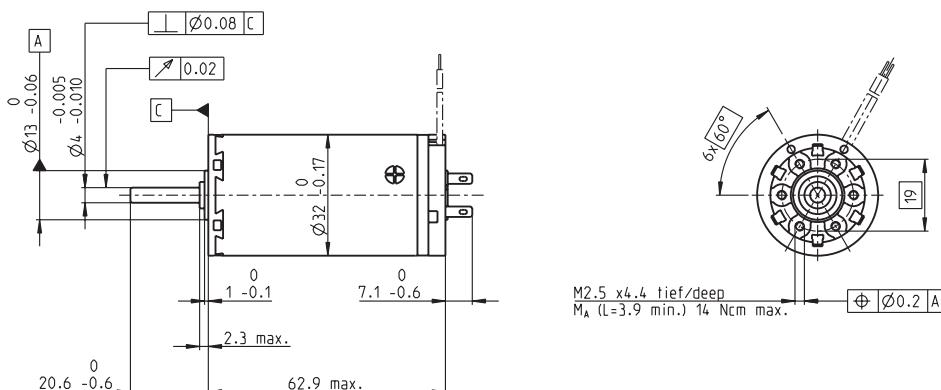
High Power

Kabel AWG 22/7
Kabel UL Style 1061

⊕ Kabel rot
Kabel red



M 1:2



- Stock program
- Standard program
- Special program (on request)

Order Number

with terminals	236659	236660	236661	236662	236663	236664	236665
with cables	353230	353231	353232	262500	341970	353233	353234

Motor Data

Values at nominal voltage		6.0	9.0	12.0	24.0	30.0	36.0	42.0	
1	Nominal voltage	V	6.0	9.0	12.0	24.0	30.0	36.0	42.0
2	No load speed	rpm	4850	4980	4660	6460	6160	5850	5650
3	No load current	mA	122	83.8	58.0	42.7	32.2	25.2	20.7
4	Nominal speed	rpm	3140	3350	3100	5020	4710	4420	4200
5	Nominal torque (max. continuous torque)	mNm	38.4	40.0	42.1	44.4	44.4	45.0	44.7
6	Nominal current (max. continuous current)	A	3.43	2.43	1.79	1.30	0.994	0.796	0.655
7	Stall torque	mNm	120	129	131	205	193	186	177
8	Starting current	A	10.4	7.62	5.39	5.81	4.18	3.19	2.51
9	Max. efficiency	%	77	79	80	83	83	83	83
Characteristics		0.577	1.18	2.23	4.13	7.17	11.3	16.7	
10	Terminal resistance	Ω	0.577	1.18	2.23	4.13	7.17	11.3	16.7
11	Terminal inductance	mH	0.0601	0.129	0.264	0.555	0.953	1.52	2.22
12	Torque constant	mNm / A	11.6	17.0	24.3	35.2	46.1	58.2	70.4
13	Speed constant	rpm / V	825	562	394	271	207	164	136
14	Speed / torque gradient	rpm / mNm	41.1	39.1	36.1	31.9	32.2	31.8	32.3
15	Mechanical time constant	ms	18.9	16.6	15.7	15.0	14.8	14.8	14.7
16	Rotor inertia	gcm ²	43.9	40.6	41.4	45.0	44.0	44.4	43.6

Specifications

Thermal data		
17	Thermal resistance housing-ambient	7.5 K / W
18	Thermal resistance winding-housing	2.1 K / W
19	Thermal time constant winding	17.7 s
20	Thermal time constant motor	900 s
21	Ambient temperature	-20 ... +85°C
22	Max. permissible winding temperature	+125°C

Mechanical data (ball bearings)		
23	Max. permissible speed	6000 rpm
24	Axial play	0.12 - 0.22 mm
25	Radial play	0.025 mm
26	Max. axial load (dynamic)	7.6 N
27	Max. force for press fits (static)	110 N
28	Max. radial loading, 5 mm from flange	32 N

Mechanical data (sleeve bearings)		
23	Max. permissible speed	6000 rpm
24	Axial play	0.12 - 0.22 mm
25	Radial play	0.025 mm
26	Max. axial load (dynamic)	5.0 N
27	Max. force for press fits (static)	110 N
28	Max. radial loading, 5 mm from flange	10.5 N

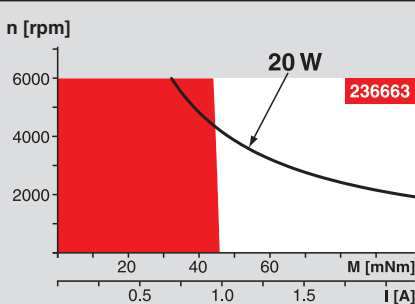
Other specifications		
29	Number of pole pairs	1
30	Number of commutator segments	13
31	Weight of motor	240 g

Values listed in the table are nominal.
Explanation of the figures on page 49.

Option

Sleeve bearings in place of ball bearings

Operating Range



Comments

Continuous operation
In observation of above listed thermal resistance (lines 17 and 18) the maximum permissible winding temperature will be reached during continuous operation at 25°C ambient.
= Thermal limit.

Short term operation
The motor may be briefly overloaded (recurring).

— **Assigned power rating**

maxon Modular System

Overview on page 16 - 21

Planetary Gearhead

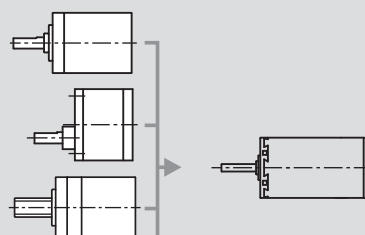
$\varnothing 32$ mm
0.75 - 6.0 Nm
Page 230 / 232 / 233

Spur Gearhead

$\varnothing 38$ mm
0.1 - 0.6 Nm
Page 237

Spindle Drive

$\varnothing 32$ mm
Page 249 / 250 / 251



Recommended Electronics:

LSC 30/2 Page 282
ADS 50/5 282
ADS_E 50/5 283
Notes 18