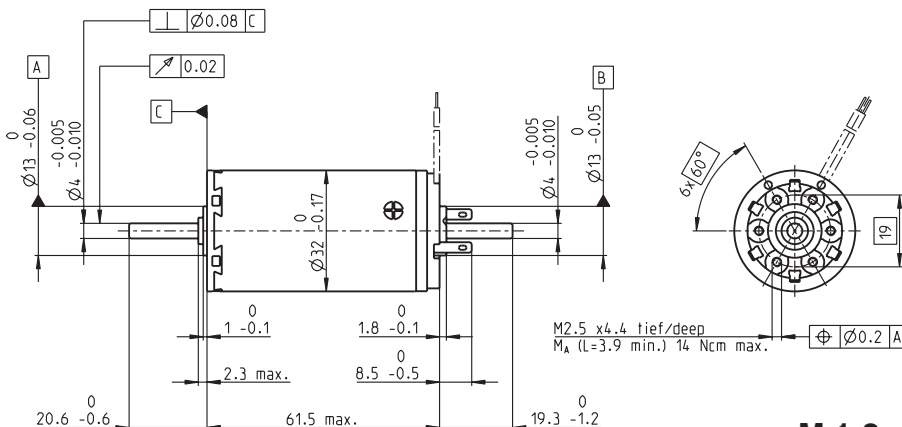
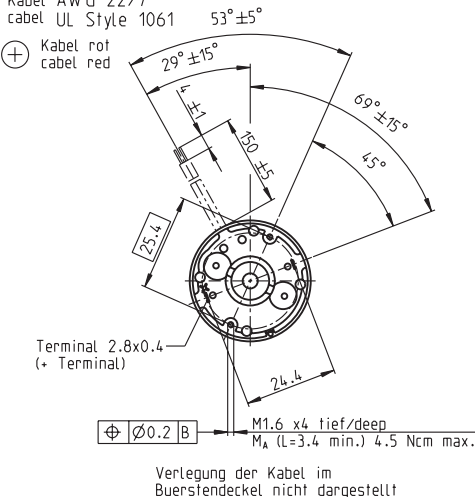


A-max 32 Ø32 mm, Graphite Brushes, 15 Watt

Kabel AWG 22/7
Kabel UL Style 1061

⊕ Kabel rot
Kabel red



M 1:2

- Stock program
- Standard program
- Special program (on request)

Order Number

with terminals	236651	236652	236653	236654	236655	236656	236657	236658
with cables	353220	353221	353222	353223	353224	353225	353226	353227

Motor Data

Values at nominal voltage										
1	Nominal voltage	V	6.0	9.0	12.0	18.0	24.0	30.0	36.0	48.0
2	No load speed	rpm	5830	4930	4670	5270	5930	5870	5830	3870
3	No load current	mA	153	83.2	58.4	44.8	38.6	30.5	25.2	11.7
4	Nominal speed	rpm	3800	2980	2860	3550	4180	4140	4090	2080
5	Nominal torque (max. continuous torque)	mNm	31.4	33.1	36.0	37.5	36.7	37.1	36.8	36.9
6	Nominal current (max. continuous current)	A	3.42	2.02	1.55	1.21	0.998	0.798	0.656	0.328
7	Stall torque	mNm	99.7	87.4	95.9	118	127	128	125	81.3
8	Starting current	A	10.4	5.12	3.98	3.66	3.34	2.66	2.15	0.698
9	Max. efficiency	%	75	75	77	79	80	80	80	76
Characteristics										
10	Terminal resistance	Ω	0.577	1.76	3.02	4.92	7.19	11.3	16.7	68.8
11	Terminal inductance	mH	0.0657	0.209	0.416	0.739	1.04	1.66	2.43	9.71
12	Torque constant	mNm / A	9.58	17.1	24.1	32.2	38.2	48.2	58.3	117
13	Speed constant	rpm / V	996	559	396	297	250	198	164	81.9
14	Speed / torque gradient	rpm / mNm	59.9	57.6	49.5	45.5	47.1	46.3	47.1	48.4
15	Mechanical time constant	ms	27.6	23.5	22.4	21.8	21.7	21.5	21.5	21.5
16	Rotor inertia	gcm ²	43.9	39.0	43.3	45.9	44.0	44.4	43.6	42.4

Specifications

Thermal data		
17	Thermal resistance housing-ambient	7.5 K / W
18	Thermal resistance winding-housing	2.1 K / W
19	Thermal time constant winding	17.7 s
20	Thermal time constant motor	791 s
21	Ambient temperature	-20 ... +85°C
22	Max. permissible winding temperature	+125°C

Mechanical data (ball bearings)		
23	Max. permissible speed	6000 rpm
24	Axial play	0.12 - 0.22 mm
25	Radial play	0.025 mm
26	Max. axial load (dynamic)	7.6 N
27	Max. force for press fits (static)	110 N
	(static, shaft supported)	2000 N
28	Max. radial loading, 5 mm from flange	32 N

Mechanical data (sleeve bearings)		
23	Max. permissible speed	6000 rpm
24	Axial play	0.12 - 0.22 mm
25	Radial play	0.012 mm
26	Max. axial load (dynamic)	5.0 N
27	Max. force for press fits (static)	110 N
	(static, shaft supported)	2000 N
28	Max. radial loading, 5 mm from flange	10.5 N

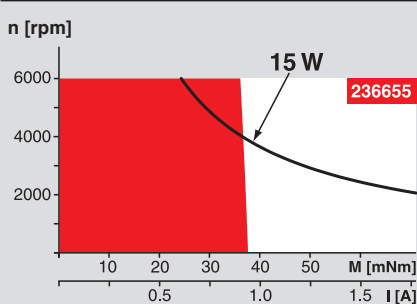
Other specifications		
29	Number of pole pairs	1
30	Number of commutator segments	13
31	Weight of motor	211 g

Values listed in the table are nominal.
Explanation of the figures on page 49.

Option

Sleeve bearings in place of ball bearings

Operating Range



Comments

Continuous operation
In observation of above listed thermal resistance (lines 17 and 18) the maximum permissible winding temperature will be reached during continuous operation at 25°C ambient.
= Thermal limit.

Short term operation
The motor may be briefly overloaded (recurring).

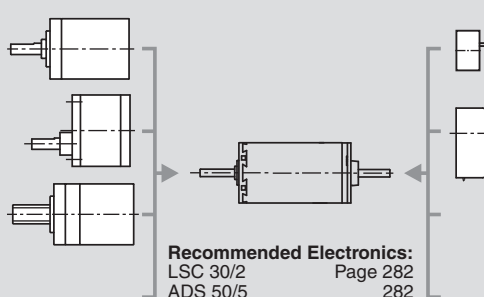
— Assigned power rating

maxon Modular System

Planetary Gearhead
Ø32 mm
0.75 - 6.0 Nm
Page 230 / 232 / 233

Spur Gearhead
Ø38 mm
0.1 - 0.6 Nm
Page 237

Spindle Drive
Ø32 mm
Page 249 / 250 / 251



Overview on page 16 - 21

Encoder MR
256 - 1024 Imp.,
3 channels
Page 263

Encoder HED_5540
500 Imp.,
3 channels
Page 267 / 269

Recommended Electronics:	
LSC 30/2	Page 282
ADS 50/5	282
ADS_E 50/5	283
EPOS2 Module 36/2	304
EPOS2 24/5	305
EPOS2 50/5	305
EPOS2P 24/5	308
Notes	18