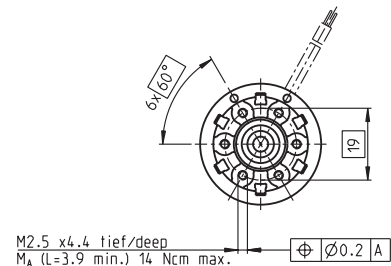
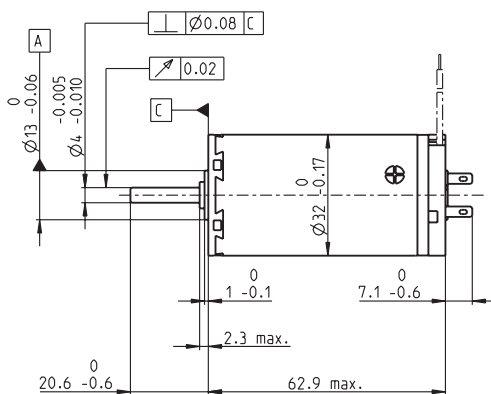
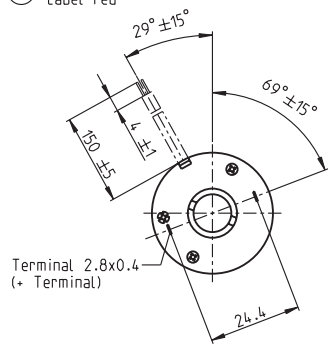


A-max 32 Ø32 mm, Graphite Brushes, 15 Watt

Kabel AWG 22/7
 kabel UL Style 1061

⊕ Kabel rot
 kabel red



M 1:2

- Stock program
- Standard program
- Special program (on request)

Order Number

with terminals	236643	236644	236645	236646	236647	236648	236649	236650
with cables	353184	353185	353186	353187	353188	353189	353190	353191

Motor Data

Values at nominal voltage										
1	Nominal voltage	V	6.0	9.0	12.0	18.0	24.0	30.0	36.0	48.0
2	No load speed	rpm	5830	4930	4670	5270	5930	5870	5830	3870
3	No load current	mA	153	83.2	58.4	44.8	38.6	30.5	25.2	11.7
4	Nominal speed	rpm	3800	2980	2860	3550	4180	4140	4090	2080
5	Nominal torque (max. continuous torque)	mNm	31.4	33.1	36.0	37.5	36.7	37.1	36.8	36.9
6	Nominal current (max. continuous current)	A	3.42	2.02	1.55	1.21	0.998	0.798	0.656	0.328
7	Stall torque	mNm	99.7	87.4	95.9	118	127	128	125	81.3
8	Starting current	A	10.4	5.12	3.98	3.66	3.34	2.66	2.15	0.698
9	Max. efficiency	%	75	75	77	79	80	80	80	76
Characteristics										
10	Terminal resistance	Ω	0.577	1.76	3.02	4.92	7.19	11.3	16.7	68.8
11	Terminal inductance	mH	0.0657	0.209	0.416	0.739	1.04	1.66	2.43	9.71
12	Torque constant	mNm / A	9.58	17.1	24.1	32.2	38.2	48.2	58.3	117
13	Speed constant	rpm / V	996	559	396	297	250	198	164	81.9
14	Speed / torque gradient	rpm / mNm	59.9	57.6	49.5	45.5	47.1	46.3	47.1	48.4
15	Mechanical time constant	ms	27.6	23.5	22.4	21.8	21.7	21.5	21.5	21.5
16	Rotor inertia	gcm ²	43.9	39.0	43.3	45.9	44.0	44.4	43.6	42.4

Specifications

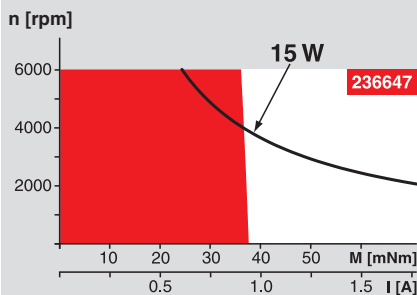
Thermal data		
17	Thermal resistance housing-ambient	7.5 K / W
18	Thermal resistance winding-housing	2.1 K / W
19	Thermal time constant winding	17.7 s
20	Thermal time constant motor	791 s
21	Ambient temperature	-20 ... +85°C
22	Max. permissible winding temperature	+125°C
Mechanical data (ball bearings)		
23	Max. permissible speed	6000 rpm
24	Axial play	0.12 - 0.22 mm
25	Radial play	0.025 mm
26	Max. axial load (dynamic)	7.6 N
27	Max. force for press fits (static)	110 N
28	Max. radial loading, 5 mm from flange	32 N
Mechanical data (sleeve bearings)		
23	Max. permissible speed	6000 rpm
24	Axial play	0.12 - 0.22 mm
25	Radial play	0.025 mm
26	Max. axial load (dynamic)	5.0 N
27	Max. force for press fits (static)	110 N
28	Max. radial loading, 5 mm from flange	10.5 N
Other specifications		
29	Number of pole pairs	1
30	Number of commutator segments	13
31	Weight of motor	211 g

Values listed in the table are nominal.
 Explanation of the figures on page 49.

Option

Sleeve bearings in place of ball bearings

Operating Range



Comments

Continuous operation
 In observation of above listed thermal resistance (lines 17 and 18) the maximum permissible winding temperature will be reached during continuous operation at 25°C ambient.
 = Thermal limit.

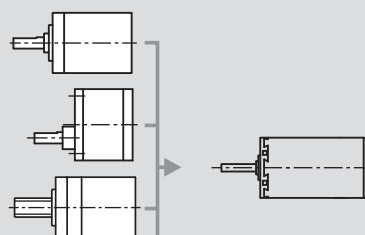
Short term operation
 The motor may be briefly overloaded (recurring).

— Assigned power rating

maxon Modular System

Overview on page 16 - 21

- Planetary Gearhead**
 Ø32 mm
 0.75 - 6.0 Nm
 Page 230 / 232 / 233
- Spur Gearhead**
 Ø38 mm
 0.1 - 0.6 Nm
 Page 237
- Spindle Drive**
 Ø32 mm
 Page 249 / 250 / 251



Recommended Electronics:
 LSC 30/2 Page 282
 ADS 50/5 282
 ADS_E 50/5 283
 Notes 18