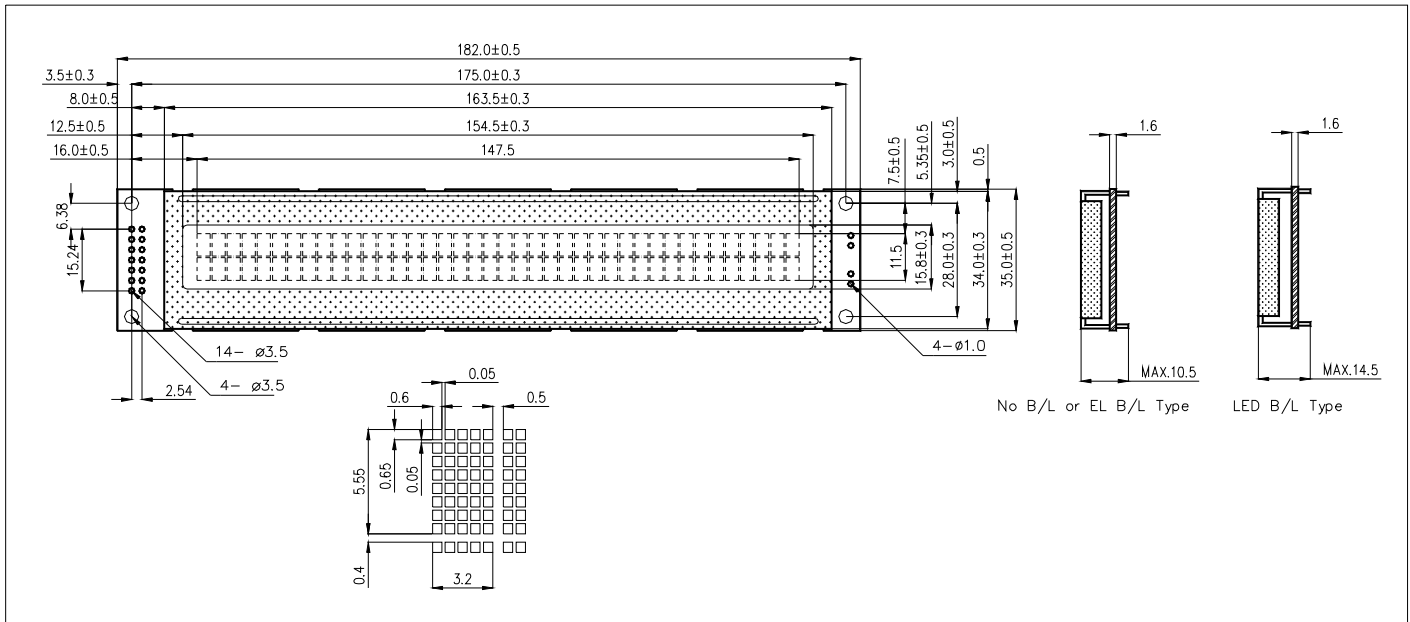




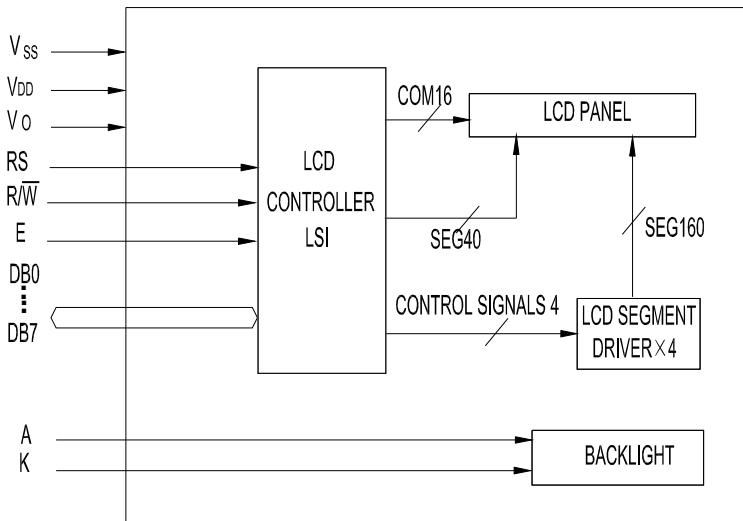
JYC-400201S/C-VA

1/16DUTY,1/5 BIAS
40CHARACTERSx2LINE

1.0 DIMENSIONAL DRAWING



2.0 BLOCK DIAGRAM



3.0 PIN ASSIGNMENT

Pin no.	Symbol	Function
1	V_{SS}	Power supply (GND)
2	V_{DD}	Power supply(+)
3	V_O	Contrast adjust
4	RS	Register select signal
5	R / \overline{W}	Data read / write
6	E	Enable signal
7 : 14	DB0 : DB7	Data bus line

4.0 ELECTRICAL CHARACTERISTICS $T_a=25^\circ\text{C}$ $V_{DD}=5.0\text{V}\pm 0.25\text{V}$

Item	Symbol	Test Condition	Standard Value			
			Min.	Typ.	Max.	Unit
Power Supply Voltage	$V_{DD}-V_{SS}$	25°C	4.75	5.0	5.25	V
LCD Operation Voltage	V_{OP}	25°C	TN	4.5	-	V
			STN	5.0	-	V
LCM Current Consumption	I_{DD}	25°C	-	3.0	5.0	mA
Backlight Forward Voltage	V_F		-	4.2	4.6	V

5.0 ABSOLUTE MAXIMUM RATINGS

Item	Symbol	Test Condition	Standard Value		
			Min.	Max.	Unit
Supply Voltage (Logic)	$V_{DD}-V_{SS}$	25°C	-0.3	7	V
Supply Voltage (LCD)	$V_{DD}-V_O$		$V_{DD}-13.5$	$V_{DD}+0.3$	V
Input Voltage	V_{IN}		-0.3	$V_{DD}+0.3$	V
Operating Temp.	T_{OPR}	-	0	50	°C
Storage Temp.	T_{STG}	-	-20	70	°C

Remark

- LCD option: TN,STN,FSTN.
- Standard module.
- Backlight option: LED,EL backlight feature, other specs not available on catalog is under request.