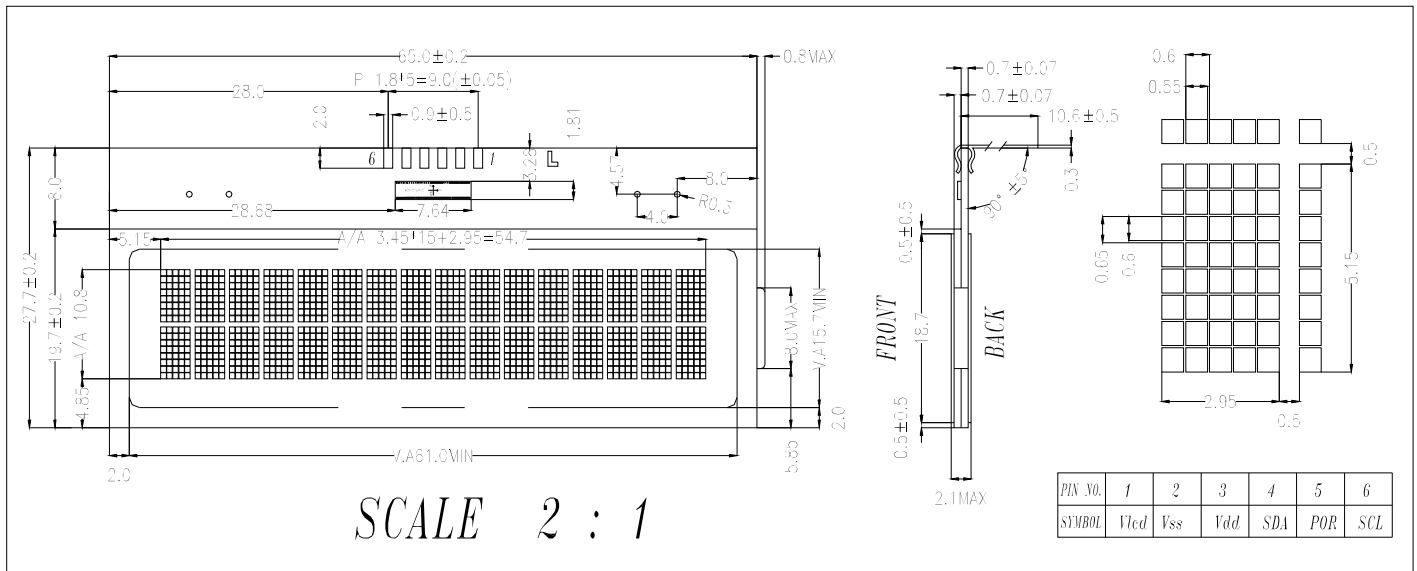
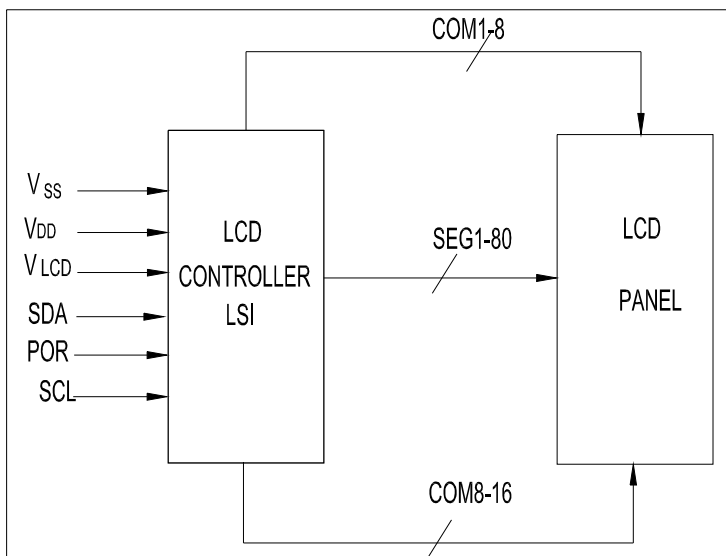


## 1.0 DIMENSIONAL DRAWING



## 2.0 BLOCK DIAGRAM



## 3.0 PIN ASSIGNMENT

Pin no.	Symbol	Function
1	V <sub>LCD</sub>	Contrast adjust
2	V <sub>SS</sub>	Power supply (GND)
3	V <sub>DD</sub>	Power supply(+)
4	SDA	I <sup>2</sup> C-Bus serial data clock input/output
5	POR	External power-on reset input
6	SCL	I <sup>2</sup> C-Bus serial data clock input

## 4.0 ELECTRICAL CHARACTERISTICS Ta=25 °C V<sub>DD</sub>=3.0V±0.25V

Item	Symbol	Test Condition	Standard Value			
			Min.	Typ.	Max.	Unit
Power Supply Voltage	V <sub>DD</sub> -V <sub>SS</sub>	25°C	2.75	3.0	3.25	V
LCD Operation Voltage	V <sub>OP</sub>	25°C	TN	-	-	V
			STN	-	5	V
LCM Current Consumption	I <sub>DD</sub>	25°C	-	1	2	mA
Backlight Forward Voltage	V <sub>F</sub>		-	-	-	V

## 5.0 ABSOLUTE MAXIMUM RATINGS

Item	Symbol	Test Condition	Standard Value		
			Min.	Max.	Unit
Supply Voltage (Logic)	V <sub>DD</sub> -V <sub>SS</sub>	25°C	-0.3	5	V
Supply Voltage (LCD)	V <sub>DD</sub> -V <sub>O</sub>		-0.3	7	V
Input Voltage	V <sub>IN</sub>		-0.3	V <sub>DD</sub> +0.3	V
Operating Temp.	T <sub>OPR</sub>	-	0	50	°C
Storage Temp.	T <sub>STG</sub>	-	-10	60	°C

### Remark

1. LCD option: TN,STN,FSTN.
2. Customized module.
3. other specs not available on catalog is under request.