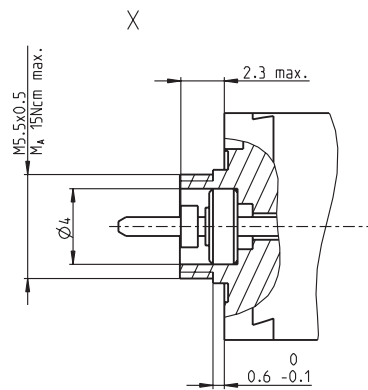
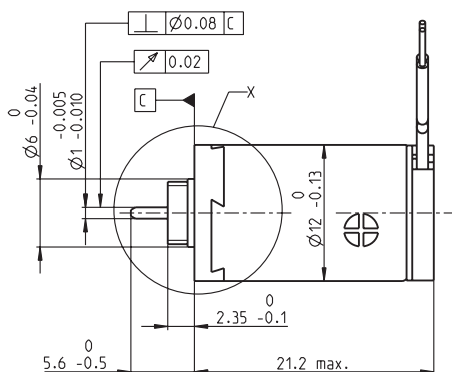
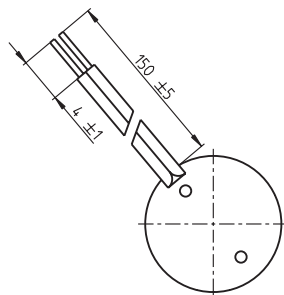


A-max 12 \varnothing 12 mm, Precious Metal Brushes CLL, 0.75 Watt, $\text{C}\epsilon$ approved

Kabel AWG 28/7
cabel UL Style 1061

\oplus Kabel rot
cabel red



M 1.5:1

- Stock program
- Standard program
- Special program (on request)

Order Number

200937 265374 265375 265376 265377 265378

Motor Data

Values at nominal voltage		3.0	4.5	6.0	9.0	12.0	15.0
1	Nominal voltage	V	3.0	4.5	6.0	9.0	12.0
2	No load speed	rpm	13900	11900	12800	12100	12300
3	No load current	mA	21.1	11.5	9.47	5.87	4.50
4	Nominal speed	rpm	5930	4360	5250	4460	4610
5	Nominal torque (max. continuous torque)	mNm	0.891	0.959	0.946	0.941	0.931
6	Nominal current (max. continuous current)	A	0.462	0.281	0.225	0.141	0.107
7	Stall torque	mNm	1.58	1.55	1.63	1.52	1.52
8	Starting current	A	0.789	0.438	0.374	0.220	0.168
9	Max. efficiency	%	70	71	71	70	68
Characteristics		3.80	10.3	16.0	40.9	71.6	116
10	Terminal resistance	Ω	3.80	10.3	16.0	40.9	71.6
11	Terminal inductance	mH	0.0851	0.263	0.402	1.01	1.74
12	Torque constant	mNm / A	2.01	3.53	4.36	6.92	9.06
13	Speed constant	rpm / V	4760	2710	2190	1380	1050
14	Speed / torque gradient	rpm / mNm	9030	7880	8060	8170	8330
15	Mechanical time constant	ms	20.5	20.2	20.3	20.3	20.4
16	Rotor inertia	gcm ²	0.217	0.245	0.240	0.237	0.233

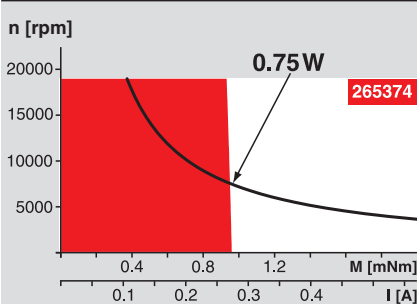
Specifications

Thermal data	
17	Thermal resistance housing-ambient
18	Thermal resistance winding-housing
19	Thermal time constant winding
20	Thermal time constant motor
21	Ambient temperature
22	Max. permissible winding temperature
Mechanical data (sleeve bearings)	
23	Max. permissible speed
24	Axial play
25	Radial play
26	Max. axial load (dynamic)
27	Max. force for press fits (static)
28	Max. radial loading, 4 mm from flange

Other specifications	
29	Number of pole pairs
30	Number of commutator segments
31	Weight of motor
CLL= Capacitor Long Life	
Alignment of the electronic connections not specified.	

Values listed in the table are nominal.
Explanation of the figures on page 49.

Operating Range



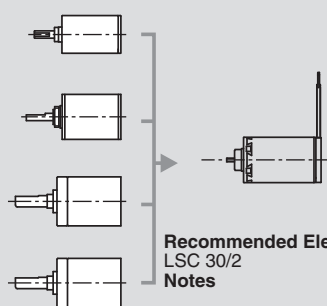
Comments

- Continuous operation**
In observation of above listed thermal resistance (lines 17 and 18) the maximum permissible winding temperature will be reached during continuous operation at 25°C ambient.
= Thermal limit.
- Short term operation**
The motor may be briefly overloaded (recurring).
- Assigned power rating**

maxon Modular System

Overview on page 16 - 21

- Planetary Gearhead**
 \varnothing 10 mm
0.005 - 0.15 Nm
Page 205 / 206
- Spur Gearhead**
 \varnothing 12 mm
0.008 - 0.025 Nm
Page 207
- Planetary Gearhead**
 \varnothing 13 mm
0.05 - 0.15 Nm
Page 208
- Planetary Gearhead**
 \varnothing 13 mm
0.2 - 0.35 Nm
Page 209



Recommended Electronics:
LSC 30/2 Page 282
Notes 18