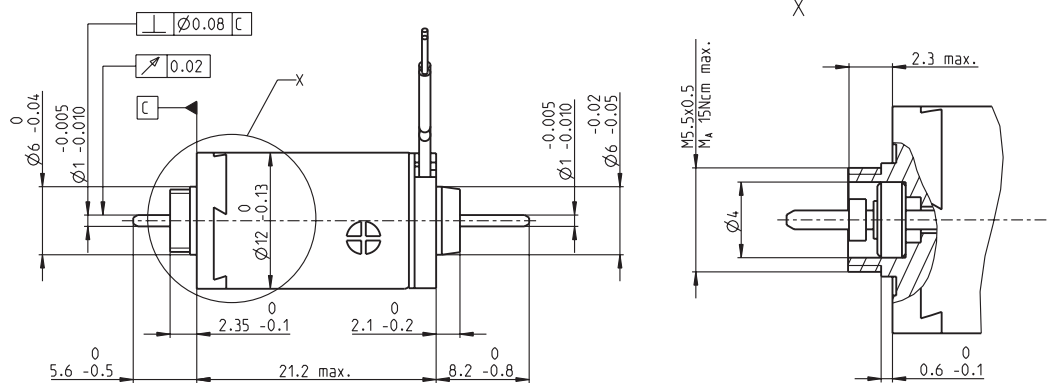
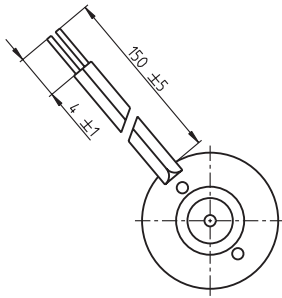


A-max 12 Ø12 mm, Precious Metal Brushes CLL, 0.5 Watt, CE approved

Kabel AWG 28/7
cabel UL Style 1061

⊕ Kabel rot
cabel red



M 1.5:1

- Stock program
- Standard program
- Special program (on request)

Order Number

200938 265389 265390 265391 265392 265393

Motor Data

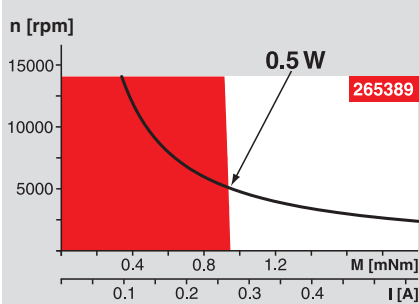
Values at nominal voltage			3.0	4.5	6.0	9.0	12.0	15.0
1	Nominal voltage	V	3.0	4.5	6.0	9.0	12.0	15.0
2	No load speed	rpm	13700	11700	12600	11900	12100	13500
3	No load current	mA	34.5	18.8	15.5	9.63	7.38	6.88
4	Nominal speed	rpm	5950	4370	5260	4470	4620	5050
5	Nominal torque (max. continuous torque)	mNm	0.866	0.935	0.921	0.917	0.907	0.78
6	Nominal current (max. continuous current)	A	0.461	0.281	0.225	0.141	0.106	0.0835
7	Stall torque	mNm	1.58	1.55	1.63	1.52	1.52	1.29
8	Starting current	A	0.789	0.438	0.374	0.220	0.168	0.129
9	Max. efficiency	%	63	63	64	63	63	60
Characteristics			3.80	10.3	16.0	40.9	71.6	116
10	Terminal resistance	Ω	3.80	10.3	16.0	40.9	71.6	116
11	Terminal inductance	mH	0.0851	0.263	0.402	1.01	1.74	2.13
12	Torque constant	mNm / A	2.01	3.53	4.36	6.92	9.06	10.0
13	Speed constant	rpm / V	4760	2710	2190	1380	1050	952
14	Speed / torque gradient	rpm / mNm	9030	7880	8060	8170	8330	11000
15	Mechanical time constant	ms	20.5	20.2	20.3	20.3	20.4	21.0
16	Rotor inertia	gcm ²	0.217	0.245	0.240	0.237	0.233	0.182

Specifications

- Thermal data**
- 17 Thermal resistance housing-ambient 44.5 K / W
 - 18 Thermal resistance winding-housing 15 K / W
 - 19 Thermal time constant winding 4.99 s
 - 20 Thermal time constant motor 267 s
 - 21 Ambient temperature -30 ... +65°C
 - 22 Max. permissible winding temperature +85°C
- Mechanical data (sleeve bearings)**
- 23 Max. permissible speed 14000 rpm
 - 24 Axial play 0.05 - 0.15 mm
 - 25 Radial play 0.012 mm
 - 26 Max. axial load (dynamic) 0.15 N
 - 27 Max. force for press fits (static) 15 N
 - (static, shaft supported) 70 N
 - 28 Max. radial loading, 4 mm from flange 0.4 N
- Other specifications**
- 29 Number of pole pairs 1
 - 30 Number of commutator segments 7
 - 31 Weight of motor 12 g
 - CLL = Capacitor Long Life
 - Alignment of the electronic connections not specified.

Values listed in the table are nominal.
Explanation of the figures on page 49.

Operating Range



Comments

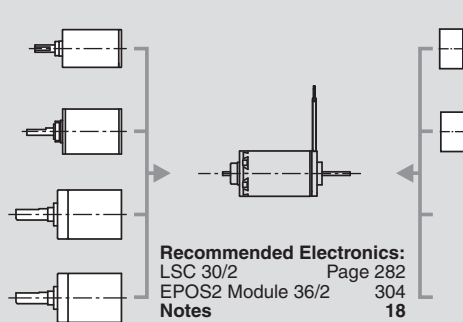
Continuous operation
In observation of above listed thermal resistance (lines 17 and 18) the maximum permissible winding temperature will be reached during continuous operation at 25°C ambient.
= Thermal limit.

Short term operation
The motor may be briefly overloaded (recurring).

— Assigned power rating

maxon Modular System

- Planetary Gearhead**
Ø10 mm
0.005 - 0.15 Nm
Page 205 / 206
- Spur Gearhead**
Ø12 mm
0.008 - 0.025 Nm
Page 207
- Planetary Gearhead**
Ø13 mm
0.05 - 0.15 Nm
Page 208
- Planetary Gearhead**
Ø13 mm
0.2 - 0.35 Nm
Page 209



Recommended Electronics:
LSC 30/2 Page 282
EPOS2 Module 36/2 Page 304
Notes 18

Overview on page 16 - 21