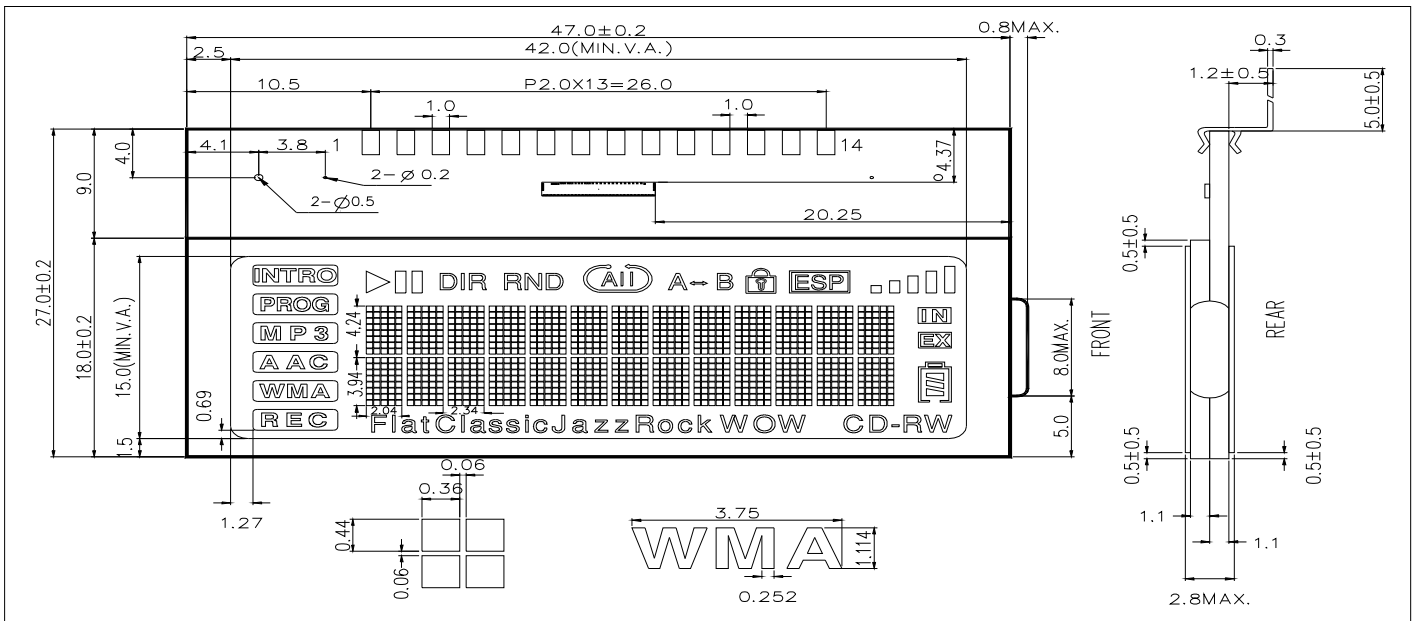
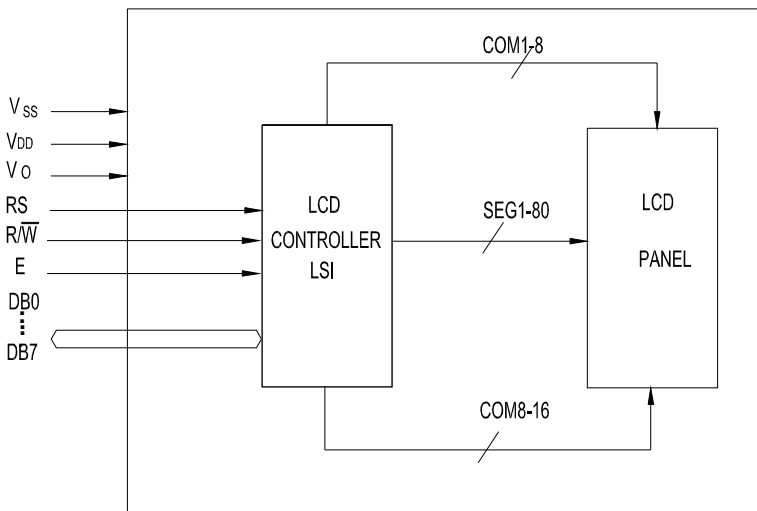


1.0 DIMENSIONAL DRAWING



2.0 BLOCK DIAGRAM



3.0 PIN ASSIGNMENT

Pin no.	Symbol	Function
1	V _{SS}	Power supply (GND)
2	V _O	Contrast adjust
3	V _{DD}	Power supply(+)
4	RS	Register select signal
5	R / \bar{W}	Data read / write
6	E	Enable signal
7	DB0	Data bus line
8	DB1	
9	DB2	
10	DB3	
11	DB4	
12	DB5	
13	DB6	
14	DB7	

4.0 ELECTRICAL CHARACTERISTICS Ta=25 °C V_{DD}=3.0V±0.25V

Item	Symbol	Test Condition	Standard Value			
			Min.	Typ.	Max.	Unit
Power Supply Voltage	V _{DD} -V _{SS}	25°C	2.75	3.0	3.25	V
LCD Operation Voltage	V _{OP}	25°C	TN	-	-	V
			STN	-	4	V
LCM Current Consumption	I _{DD}	25°C	-	1	2	mA
Backlight Forward Voltage	V _F		-	-	-	V

5.0 ABSOLUTE MAXIMUM RATINGS

Item	Symbol	Test Condition	Standard Value		
			Min.	Max.	Unit
Supply Voltage (Logic)	V _{DD} -V _{SS}	25°C	-0.3	5	V
Supply Voltage (LCD)	V _{DD} -V _O		-0.3	7	V
Input Voltage	V _{IN}		-0.3	V _{DD} +0.3	V
Operating Temp.	T _{OPR}	-	-20	70	°C
Storage Temp.	T _{STG}	-	-30	80	°C

Remark

1. LCD option: TN,STN,FSTN.
2. Customized module.
3. other specs not available on catalog is under request.