

BT2.5A



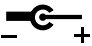
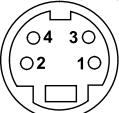
Feature

- 1.TFT module 2.5 inch diagonal
- 2.NTSC/PAL signal type
- 3.CVBS/S-Video input
4. + 12V single power supply
- 5.LED edge/white backlight

Mechanical Data

Item	Standard Value	Unit
Module Dimension	60.6(W)x48.4(H)x3.45(D)	mm
Active Area	49.68x37.44	mm
Display Format	480x234	mm
Screen Size	2.5 inch	

Pin Assignment

Connector	Level	Description															
DC Jack	12V	DC socket 2.0 															
RCA jack	-	Composite input for NTSC or PAL															
S-video jack	-	S-Video (Y/C) input 															
		<table border="1"> <thead> <tr> <th>Pin No.</th> <th>Symbol</th> <th>Description</th> </tr> </thead> <tbody> <tr> <td>1</td> <td>GND</td> <td>Ground (Y)</td> </tr> <tr> <td>2</td> <td>GND</td> <td>Ground (C)</td> </tr> <tr> <td>3</td> <td>Y</td> <td>Intensity (Luminance)</td> </tr> <tr> <td>4</td> <td>C</td> <td>Color (Chrominance)</td> </tr> </tbody> </table>	Pin No.	Symbol	Description	1	GND	Ground (Y)	2	GND	Ground (C)	3	Y	Intensity (Luminance)	4	C	Color (Chrominance)
		Pin No.	Symbol	Description													
		1	GND	Ground (Y)													
		2	GND	Ground (C)													
3	Y	Intensity (Luminance)															
4	C	Color (Chrominance)															

Electronic Characteristics

Item	Symbol	Typical Value	Unit
Input Voltage	Vdd	+12.0	V
Supply Current	Idd	650	mA

Dimension

