



# BP160160D

## Feature

1. FSTN LCD, TAB IC, TCP package
2. Built-in controller S1D13700
3. +5V power supply
4. 8-Bit data bus
5. 1/160 duty cycle
6. Built-in Positive Voltage For LCD
7. Option : LED B/L
8. 16 gray scale

## Mechanical Data

Item	Standard Value	Unit
Module Dimension	56.0 x 56.0	mm
Viewing Area	49.0 x 49.0	mm
Dot Size	0.25 x 0.25	mm
Dot Pitch	0.28 x 0.28	mm



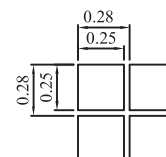
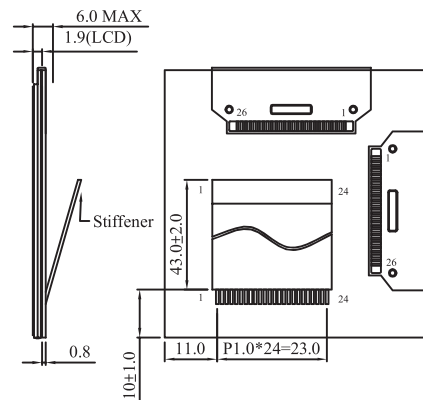
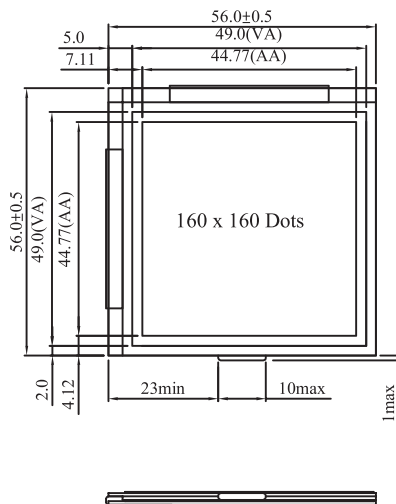
## Pin Assignment

Pin	Symbol	Function
1	RST	Reset signal
2	RD	80s:read signal/68s:enable signal(E)
3	WR	80s:write signal/68s : R/W signal
4	CS	Chip select
5	Ao	Data select
6~13	DB0-7	Data bus line
14	Vdd	Power supply (+3V ~ +5V)
15	Vss	Power supply (GND)
16	Vlcd	Positive voltage output(+19V)
17	Vadj	Contrast adjustment (Vadj- Vss )
18	NC	No connection
19	A	Power supply for B/L (+)
20	K	Power supply for B/L (GND)
21	Wait	wait signal
22	SEL	uP select (H:68 series L:80 series)
23	/DISPOFF	display off signal (H:on L:off)
24	NC	No connection

## Electronic Characteristics

Item	Symbol	Condition	Typical Value	Unit
Input Voltage	Vdd		5.0	V
Supply Current	Idd	Vdd = +5V	40	mA
LED Driving Voltage	Vt	25 °C	16.7	V
LED Forward Voltage	Vt	25 °C	3.2	V
Edge LED Forward Current	It	25 °C	80	mA

## Dimension



Dot size  
Scale 40/T