

# AFBR-5601Z and AFCT-5611Z

## Gigabit Interface Converters (GBIC) for Gigabit Ethernet



### Data Sheet



#### Description

The AFBR-56xxZ/AFCT-56xxZ family of interface converters meet the Gigabit Interface Converter specification Rev. 5.4, an industry standard. The family provides a uniform form factor for a wide variety of standard connections to transmission media. The converters can be inserted or removed from a host chassis without removing power from the host system.

The converters are suitable for interconnections in the Gigabit Ethernet hubs and switches environment. The design of these converters is also practical for other high performance, point-to-point communication requiring gigabit interconnections. Since the converters are hot-pluggable, they allow system configuration changes simply by plugging in a different type of converter.

The mechanical and electrical interfaces of these converters to the host system are identical for all implementations of the converter regardless of external media type. A 20-pin connector is used to connect the converter to the host system. Surge currents are eliminated by using pin sequencing at this connector and a slow start circuit. Two ground tabs at this connector also make contact before any other pins, discharging possible component-damaging static electricity. In addition, the connector itself performs a two-stage contact sequence. Operational signals and power supply ground make contact in stage 1 while power makes contact in stage 2.

#### Applications

- Switch to switch interface
- High speed I/O for file servers
- Bus extension applications

#### Features

- RoHS Compliance
- Compliant with Gigabit Interface Converter specification Rev. 5.4 (1)
- AFBR-5601Z is compliant with proposed specifications for IEEE 802.3z/D5.0 Gigabit Ethernet (1000 Base-SX)
- AFCT-5611Z is compliant with the ANSI 100-SM-LC-L revision 2 10 km link specification
- Performance:
  - AFBR-5601Z:
    - 500 m with 50/125  $\mu$ m MMF
    - 220 m with 62.5/125  $\mu$ m MMF
  - AFCT-5611Z:
    - 550 m with 50/125  $\mu$ m MMF
    - 550 m with 62.5/125  $\mu$ m MMF
    - 10 km with 9/125  $\mu$ m SMF
- Horizontal or vertical installation
- AEL Laser Class 1 eye safe per IEC 60825-1
- AEL Laser Class I eye safe per US 21 CFR
- Hot-pluggable

#### Related Products

- 850 nm VCSEL, 1 x 9 and SFF transceivers for 1000 base SX applications (HFBR-53D5, HFBR-5912E)
- 1300 nm, 1 x 9 Laser transceiver for 1000 base-LX applications (HFCT-53D5)
- Physical layer ICs available for optical interface (HDMP-1636A/46A)

The AFBR-5601Z has been developed with 850 nm short wavelength VCSEL technology while the AFCT-5611Z is based on 1300 nm long wavelength Fabry Perot laser technology.

The AFBR-5601Z complies with Annex G of the GBIC specification Revision 5.4. In the 1000 BASE-SX environment the AFBR-5601Z achieves 220 m transmission distance with 62.5  $\mu\text{m}$  and 500 m with 50  $\mu\text{m}$  multimode fiber respectively.

The AFCT-5611Z complies with Annex F of the GBIC specification Revision 5.4 and reaches 10 km with 9/125  $\mu\text{m}$  single mode fiber. Both the AFBR-5601Z and the AFCT-5611Z are Class 1 Eye Safe laser devices.

### **Serial Identification**

The AFBR-56xxZ and AFCT-5611Z family complies with Annex D (Module Definition 4) of the GBIC specification Revision 5.4, which defines the Serial Identification Protocol.

Definition 4 specifies a serial definition protocol. For this definition, upon power up, MOD\_DEF(1:2) (Pins 5 and 6 on the 20-pin connector) appear as NC. Pin 4 is TTL ground. When the host system detects this condition, it activates the public domain serial protocol. The protocol uses the 2-wire serial CMOS E<sup>2</sup>PROM protocol of the ATMEL AT24C01A or similar.

The data transfer protocol and the details of the mandatory and vendor specific data structures are defined in Annex D of the GBIC specification Revision 5.4.

### **Regulatory Compliance**

See the Regulatory Compliance Table for the targeted typical and measured performance for these transceivers.

The overall equipment design will determine the level it is able to be certified to. These transceiver performance targets are offered as a figure of merit to assist the designer in considering their use in equipment designs.

### **Electrostatic Discharge (ESD)**

There are two design cases in which immunity to ESD damage is important.

The first case is during handling of the transceiver prior to inserting it into the host system. It is important to use normal ESD handling precautions for ESD sensitive devices. These precautions include using grounded wrist straps, work benches, and floor mats in ESD controlled areas.

The second case to consider is static discharges during insertion of the GBIC into the host system. There are two guide tabs integrated into the 20-pin connector on the GBIC. These guide tabs are connected to circuit ground. When the GBIC is inserted into the host system, these tabs will engage before any of the connector pins. The mating connector in the host system must have its tabs connected to circuit ground. This discharges any stray static charges and establishes a reference for the power supplies that are sequenced later.

### **Electromagnetic Interference (EMI)**

Most equipment designs utilizing these high-speed transceivers from Avago Technologies will be required to meet the requirements of FCC in the United States, CENELEC EN55022 (CISPR 22) in Europe and VCCI in Japan.

### **Immunity**

Equipment utilizing these transceivers will be subject to radio-frequency electromagnetic fields in some environments. These transceivers have good immunity to such fields due to their shielded design.

### **Eye Safety**

Laser-based GBIC transceivers provide Class 1 (IEC 60825-1) and Class I (US 21 CFR[J]) laser eye safety by design. Avago Technologies has tested the current transceiver design for compliance with the requirements listed below under normal operating conditions and for compliance under single fault conditions.

### **Outline Drawing**

An outline drawing is shown in Figure 1. More detailed drawings are shown in Gigabit Interface Converter specification Rev. 5.4.

**Note:** AFBR-5601Z is non-compliant for Tx fault timing.

## GBIC Serial ID Memory Contents - AFBR-5601Z

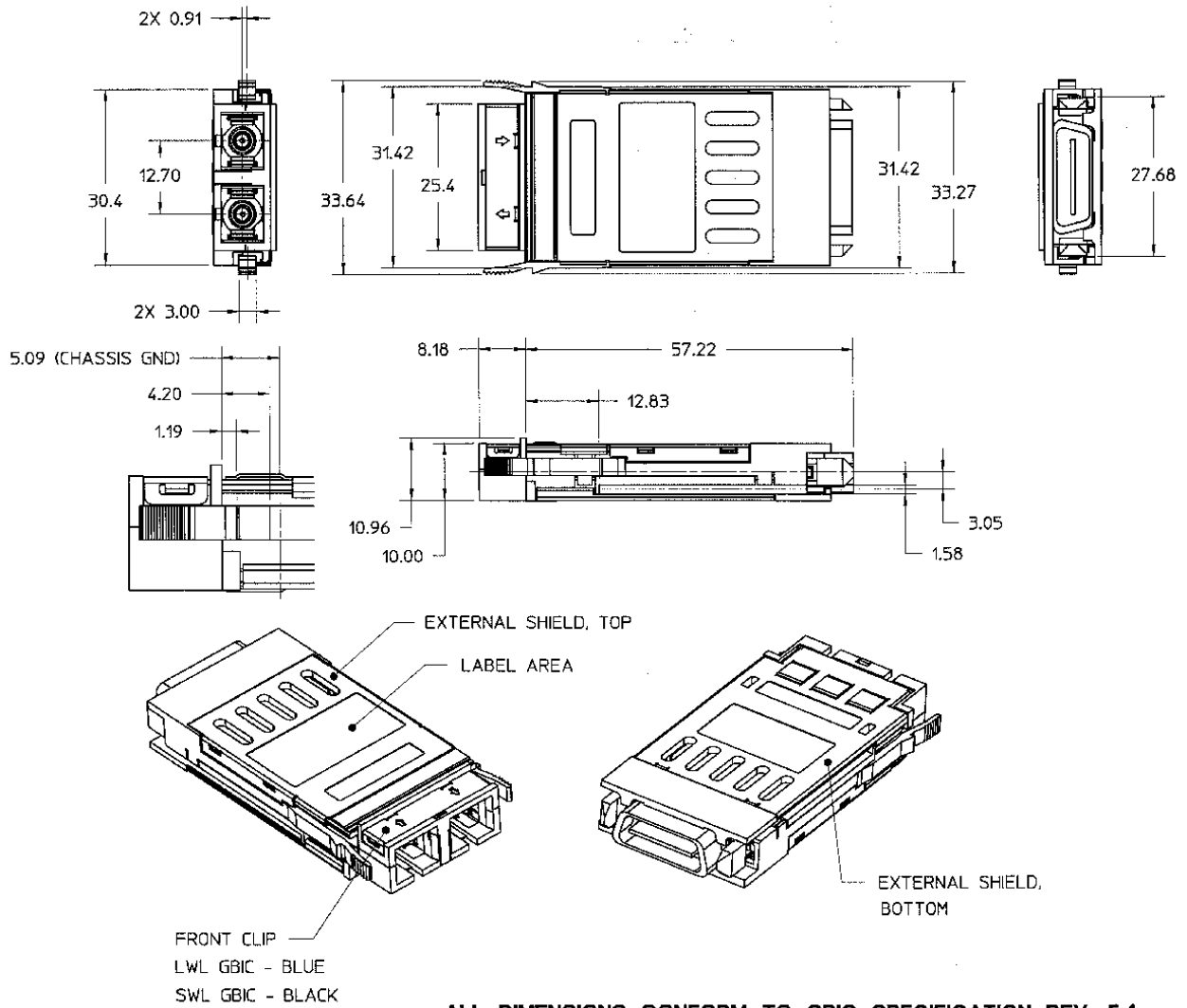
| Addr | Hex | ASCII | Addr | Hex | ASCII | Addr | Hex | ASCII | Addr | Hex | ASCII |
|------|-----|-------|------|-----|-------|------|-----|-------|------|-----|-------|
| 0    | 1   |       | 40   | 41  | A     | 68   | 39  | 9     | 96   | 20  |       |
| 1    | 7   |       | 41   | 46  | F     | 69   | 38  | 8     | 97   | 20  |       |
| 2    | 1   |       | 42   | 42  | B     | 70   | 30  | 0     | 98   | 20  |       |
| 3    | 0   |       | 43   | 52  | R     | 71   | 36  | 6     | 99   | 20  |       |
| 4    | 0   |       | 44   | 2D  | -     | 72   | 32  | 2     | 100  | 20  |       |
| 5    | 0   |       | 45   | 35  | 5     | 73   | 33  | 3     | 101  | 20  |       |
| 6    | 1   |       | 46   | 36  | 6     | 74   | 30  | 0     | 102  | 20  |       |
| 7    | 0   |       | 47   | 30  | 0     | 75   | 33  | 3     | 103  | 20  |       |
| 8    | 0   |       | 48   | 31  | 1     | 76   | 32  | 2     | 104  | 20  |       |
| 9    | 0   |       | 49   | 5A  | Z     | 77   | 38  | 8     | 105  | 20  |       |
| 10   | 0   |       | 50   | 20  |       | 78   | 33  | 3     | 106  | 20  |       |
| 11   | 1   |       | 51   | 20  |       | 79   | 34  | 4     | 107  | 20  |       |
| 12   | 0D  |       | 52   | 20  |       | 80   | 33  | 3     | 108  | 20  |       |
| 13   | 0   |       | 53   | 20  |       | 81   | 37  | 7     | 109  | 20  |       |
| 14   | 0   |       | 54   | 20  |       | 82   | 33  | 3     | 110  | 20  |       |
| 15   | 0   |       | 55   | 20  |       | 83   | 30  | 0     | 111  | 20  |       |
| 16   | 32  |       | 56   | 30  | 0     | 84   | 39  | 9     | 112  | 20  |       |
| 17   | 16  |       | 57   | 30  | 0     | 85   | 38  | 8     | 113  | 20  |       |
| 18   | 0   |       | 58   | 30  | 0     | 86   | 30  | 0     | 114  | 20  |       |
| 19   | 0   |       | 59   | 30  | 0     | 87   | 36  | 6     | 115  | 20  |       |
| 20   | 41  | A     | 60   | 0   |       | 88   | 32  | 2     | 116  | 20  |       |
| 21   | 56  | V     | 61   | 0   |       | 89   | 33  | 3     | 117  | 20  |       |
| 22   | 41  | A     | 62   | 0   |       | 90   | 30  | 0     | 118  | 20  |       |
| 23   | 47  | G     | 63   | 74  |       | 91   | 30  | 0     | 119  | 20  |       |
| 24   | 4F  | O     | 64   | 0   |       | 92   | 0   |       | 120  | 20  |       |
| 25   | 20  |       | 65   | 1A  |       | 93   | 0   |       | 121  | 20  |       |
| 26   | 20  |       | 66   | 0   |       | 94   | 0   |       | 122  | 20  |       |
| 27   | 20  |       | 67   | 0   |       | 95   | F3  |       | 123  | 20  |       |
| 28   | 20  |       |      |     |       |      |     |       | 124  | 20  |       |
| 29   | 20  |       |      |     |       |      |     |       | 125  | 20  |       |
| 30   | 20  |       |      |     |       |      |     |       | 126  | 20  |       |
| 31   | 20  |       |      |     |       |      |     |       | 127  | 20  |       |
| 32   | 20  |       |      |     |       |      |     |       |      |     |       |
| 33   | 20  |       |      |     |       |      |     |       |      |     |       |
| 34   | 20  |       |      |     |       |      |     |       |      |     |       |
| 35   | 20  |       |      |     |       |      |     |       |      |     |       |
| 36   | 0   |       |      |     |       |      |     |       |      |     |       |
| 37   | 00  |       |      |     |       |      |     |       |      |     |       |
| 38   | 30  |       |      |     |       |      |     |       |      |     |       |
| 39   | D3  |       |      |     |       |      |     |       |      |     |       |

**Note:** Blanks in ASCII column are numeric values not ASCII characters.

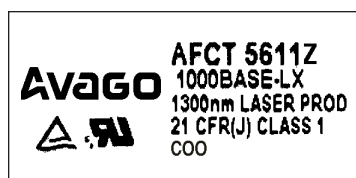
## GBIC Serial ID Memory Contents - AFCT-5611Z

| Addr | Hex | ASCII | Addr | Hex | ASCII | Addr | Hex | ASCII | Addr | Hex | ASCII |
|------|-----|-------|------|-----|-------|------|-----|-------|------|-----|-------|
| 0    | 1   |       | 40   | 41  | A     | 68   | 39  | 9     | 96   | 20  |       |
| 1    | 6   |       | 41   | 46  | F     | 69   | 38  | 8     | 97   | 20  |       |
| 2    | 1   |       | 42   | 43  | C     | 70   | 30  | 0     | 98   | 20  |       |
| 3    | 0   |       | 43   | 54  | T     | 71   | 36  | 6     | 99   | 20  |       |
| 4    | 0   |       | 44   | 2D  | -     | 72   | 32  | 2     | 100  | 20  |       |
| 5    | 0   |       | 45   | 35  | 5     | 73   | 33  | 3     | 101  | 20  |       |
| 6    | 2   |       | 46   | 36  | 6     | 74   | 30  | 0     | 102  | 20  |       |
| 7    | 0   |       | 47   | 31  | 1     | 75   | 33  | 3     | 103  | 20  |       |
| 8    | 0   |       | 48   | 31  | 1     | 76   | 34  | 4     | 104  | 20  |       |
| 9    | 0   |       | 49   | 5A  | Z     | 77   | 32  | 2     | 105  | 20  |       |
| 10   | 0   |       | 50   | 20  |       | 78   | 30  | 0     | 106  | 20  |       |
| 11   | 1   |       | 51   | 20  |       | 79   | 39  | 9     | 107  | 20  |       |
| 12   | 0D  |       | 52   | 20  |       | 80   | 34  | 4     | 108  | 20  |       |
| 13   | 0   |       | 53   | 20  |       | 81   | 32  | 2     | 109  | 20  |       |
| 14   | 0   |       | 54   | 20  |       | 82   | 39  | 9     | 110  | 20  |       |
| 15   | 64  |       | 55   | 20  |       | 83   | 30  | 0     | 111  | 20  |       |
| 16   | 37  |       | 56   | 30  | 0     | 84   | 39  | 9     | 112  | 20  |       |
| 17   | 37  |       | 57   | 30  | 0     | 85   | 38  | 8     | 113  | 20  |       |
| 18   | 0   |       | 58   | 30  | 0     | 86   | 30  | 0     | 114  | 20  |       |
| 19   | 0   |       | 59   | 30  | 0     | 87   | 36  | 6     | 115  | 20  |       |
| 20   | 41  | A     | 60   | 0   |       | 88   | 32  | 2     | 116  | 20  |       |
| 21   | 56  | V     | 61   | 0   |       | 89   | 33  | 3     | 117  | 20  |       |
| 22   | 41  | A     | 62   | 0   |       | 90   | 30  | 0     | 118  | 20  |       |
| 23   | 47  | G     | 63   | 3   |       | 91   | 30  | 0     | 119  | 20  |       |
| 24   | 4F  | O     | 64   | 0   |       | 92   | 0   |       | 120  | 20  |       |
| 25   | 20  |       | 65   | 1A  |       | 93   | 0   |       | 121  | 20  |       |
| 26   | 20  |       | 66   | 0   |       | 94   | 0   |       | 122  | 20  |       |
| 27   | 20  |       | 67   | 0   |       | 95   | F3  |       | 123  | 20  |       |
| 28   | 20  |       |      |     |       |      |     |       | 124  | 20  |       |
| 29   | 20  |       |      |     |       |      |     |       | 125  | 20  |       |
| 30   | 20  |       |      |     |       |      |     |       | 126  | 20  |       |
| 31   | 20  |       |      |     |       |      |     |       | 127  | 20  |       |
| 32   | 20  |       |      |     |       |      |     |       |      |     |       |
| 33   | 20  |       |      |     |       |      |     |       |      |     |       |
| 34   | 20  |       |      |     |       |      |     |       |      |     |       |
| 35   | 20  |       |      |     |       |      |     |       |      |     |       |
| 36   | 0   |       |      |     |       |      |     |       |      |     |       |
| 37   | 00  |       |      |     |       |      |     |       |      |     |       |
| 38   | 30  |       |      |     |       |      |     |       |      |     |       |
| 39   | D3  |       |      |     |       |      |     |       |      |     |       |

**Note:** Blanks in ASCII column are numeric values not ASCII characters.



DIMENSIONS IN MILLIMETERS



COO stands for Country of Origin

Figure 1. Outline Drawing of AFBR-5601Z and AFCT-5611Z.

## Optical Power Budget and

### Link Penalties

The worst-case Optical Power Budget (OPB) in dB for a fiber optic link is determined by the difference between the minimum transmitter output optical power (dBm avg) and the lowest receiver sensitivity (dBm avg). This OPB provides the necessary optical signal range to establish a working fiber-optic link. The OPB is allocated for the fiber-optic cable length and the corresponding link penalties. For proper link performance, all penalties that affect the link performance must be accounted for within the link optical power budget. The Gigabit/sec Ethernet (GbE) IEEE 802.3z standard identifies, and has modeled, the contributions of these OPB penalties to establish the link length requirements for 62.5/125  $\mu\text{m}$  and 50/125  $\mu\text{m}$  multimode fiber usage. In addition, single-mode fiber with standard 1300 nm Fabry Perot lasers have been modeled and specified. Refer to IEEE 802.3z standard and its supplemental documents that develop the model, empirical results and final specifications.

### 10 km Link Support

As well as complying with the LX 5 km standard, the AFCT-56xxZ specification provides additional margin allowing for a 10 km Gigabit Ethernet link on single mode fiber.

This is accomplished by limiting the spectral width and center wavelength range of the transmitter while increasing the output optical power and improving sensitivity. All other LX cable plant recommendations should be followed.

### CAUTION:

There are no user serviceable parts nor any maintenance required for the AFBR-56xxZ and AFCT-56xxZ product family. All adjustments are made at the factory before shipment to our customers. Tampering with or modifying the performance of any Avago Technologies GBIC unit will result in voided product warranty. It may also result in improper operation of the circuitry, and possible overstress of the semiconductor components. Device degradation or product failure may result.

Connection of either the AFBR-5601Z or the AFCT-5611Z to a non-approved optical source, operating above the recommended absolute maximum conditions, or operating in a manner inconsistent with unit design and function, may result in hazardous radiation exposure and may be considered an act of modifying or manufacturing a laser product. The person(s) performing such an act is required by law to recertify the laser product under the provisions of US 21 CFR (Subchapter J).

## Regulatory Compliance

| Feature   | Test Method  | Targeted Performance   |
|---|--|--|
| Electrostatic Discharge (ESD) to the Electrical Pins      | MIL-STD-883C<br>Method 3015.7  | Class 1 (>2000 V)  |
| Electrostatic Discharge (ESD) to the Duplex SC Receptacle | Variation of IEC 61000-4-2   | Typically withstand at least 15 kV without damage when port is contacted by a Human Body Model probe.  |
| Electromagnetic Interference (EMI)                        | FCC Class B<br>CENELEC EN55022 Class B<br>(CISPR 22A)<br>VCCI Class 1  | Margins are dependent on customer board and chassis design.  |
| Immunity  | Variation of IEC 61000-4-3   | Typically show no measurable effect from a 10 V/m field swept from 27 to 1000 MHz applied to the transceiver without a chassis enclosure   |
| Laser Eye Safety  | US 21 CFR, Subchapter J per paragraphs 1002.10 and 1002.12<br><br>EN 60825-1: 1994+A11<br>EN 60825-2: 1994+A1<br>EN 60950: 1992+A1+A2+A3+A4+A11                        | AEL Class I, FDA/CDRH<br>AFBR-5601Z Accession No. 9720151-51<br>AFCT-5611Z Accession No. 9521220-120AEL Class 1,<br>TUV Rheinland of North America<br>AFBR-5601Z Certificate No. R72040311.004<br>AFCT-5611Z Certificate No. 933/21201880/04<br>Protection Class III |
| Component Recognition                                     | Underwriters Laboratories and Canadian Standards Association Joint Component Recognition for Information Technology Equipment Including Electrical Business Equipment. | UL File E173874  |
| RoHS Compliance   |  | Compliant to EU Directive 2002/95/EC.  |

## 20-Pin SCA-2 Host Connector Characteristics

**Table 1. SCA-2 Host connector pin assignment**

| Pin | Name        | Sequence | Pin | Name    | Sequence |
|-----|-------------|----------|-----|---------|----------|
| 1   | RX_LOS      | 2        | 11  | RGND    | 1        |
| 2   | RGND        | 2        | 12  | -RX_DAT | 1        |
| 3   | RGND        | 2        | 13  | +RX_DAT | 1        |
| 4   | MOD_DEF(0)  | 2        | 14  | RGND    | 1        |
| 5   | MOD_DEF(1)  | 2        | 15  | VDDR    | 2        |
| 6   | MOD_DEF(2)  | 2        | 16  | VDDT    | 2        |
| 7   | TX_DISABLE* | 2        | 17  | TGND    | 1        |
| 8   | TGND        | 2        | 18  | +TX_DAT | 1        |
| 9   | TGND        | 2        | 19  | -TX_DAT | 1        |
| 10  | TX_FAULT    | 2        | 20  | TGND    | 1        |

**Notes:**

A sequence value of 1 indicates that the signal is in the first group to engage during plugging of a module. A sequence value of 2 indicates that the signal is the second and last group. The two guide pins integrated on the connector are connected to TGND. These two guide pins make contact with circuit ground prior to Sequence 1 signals.

\* This pin is tied high via 10 K pull-up resistor.

**Table 2. Signal Definition**

| Pin | Signal Name | Input/Output | Description                                       |
|-----|-------------|--------------|---|
| 1   | RX_LOS      | Output       | Receiver Loss of Signal, TTL High, open collector |
| 2   | RGND        |              | Receiver Ground                                   |
| 3   | RGND        |              | Receiver Ground                                   |
| 4   | MOD_DEF(0)  | Output       | TTL Low   |
| 5   | MOD_DEF(1)  | Input        | SCL Serial Clock Signal                           |
| 6   | MOD_DEF(2)  | Input/Output | SDA Serial Data Signal                            |
| 7   | TX_DISABLE  | Input        | Transmit Disable                                  |
| 8   | TGND        |              | Transmitter Ground                                |
| 9   | TGND        |              | Transmitter Ground                                |
| 10  | TX_FAULT    | Output       | Transmit Fault                                    |
| 11  | RGND        |              | Receiver Ground                                   |
| 12  | -RX_DAT     | Output       | Received Data, Differential PECL, ac coupled      |
| 13  | +RX_DAT     | Output       | Received Data, Differential PECL, ac coupled      |
| 14  | RGND        |              | Receiver Ground                                   |
| 15  | VDDR        | Input        | Receiver +5 V supply                              |
| 16  | VDDT        | Input        | Transmitter +5 V supply                           |
| 17  | TGND        |              | Transmitter Ground                                |
| 18  | +TX_DAT     | Input        | Transmit Data, Differential PECL, ac coupled      |
| 19  | -TX_DAT     | Input        | Transmit Data, Differential PECL, ac coupled      |
| 20  | TGND        |              | Transmitter Ground                                |

**Table 3. Module Definition**

| Defn. | MOD_DEF(0) Pin 4 | MOD_DEF(1) Pin 5 | MOD_DEF(2) Pin 6 | Interpretation by host            |
|-------|------------------|------------------|------------------|-----------------------------------|
| 4     | TTL Low          | SCL              | SDA              | Serial module definition protocol |

**Note:** All Avago Technologies GBIC modules comply with Module Definition 4 of the GBIC specification Rev 5.4

## Short Wavelength GBIC: AFBR-5601Z

### Transmitter Section

The transmitter section consists of an 850 nm VCSEL in an optical subassembly (OSA), which mates to the fiber cable. The VCSEL OSA is driven by a custom, silicon bipolar IC which converts differential logic signals into an analog Laser Diode drive current.

### Receiver Section

The receiver includes a GaAs PIN photodiode mounted together with a custom, silicon bipolar transimpedance preamplifier IC, in an OSA. The OSA interfaces to a custom silicon bipolar circuit that provides post-amplification and quantization. The post-amplifier includes a Signal Detect circuit that provides TTL compatible logic-low output in response to the detection of a usable input optical signal.

### Absolute Maximum Ratings

Stresses in excess of the absolute maximum ratings can cause catastrophic damage to the device. Limits apply to each parameter in isolation, all other parameters having values within the recommended operating conditions. It should not be assumed that limiting values of more than one parameter can be applied to the product at the same time. Exposure to the absolute maximum ratings for extended periods can adversely affect device reliability.

| Parameter                             | Symbol                               | Min. | Typ. | Max.             | Unit   | Notes |
|---------------------------------------|--------------------------------------|------|------|------------------|--------|-------|
| Storage Temperature                   | T <sub>S</sub>                       | -40  |      | +85              | °C     |       |
| Supply Voltage                        | V <sub>DDT</sub><br>V <sub>DDR</sub> | -0.5 |      | 6.0              | V      |       |
| Data Input Voltage                    | TX_DAT                               | -0.5 |      | V <sub>DDT</sub> | V      | 1     |
| TransmitterDifferential Input Voltage | ±TX_DAT                              |      |      | 2000             | mV p-p |       |
| Relative Humidity                     | RH                                   | 5    |      | 95               | %      |       |

### Recommended Operating Conditions

| Parameter                     | Symbol                               | Min. | Typ. | Max. | Unit | Notes |
|-------------------------------|--------------------------------------|------|------|------|------|-------|
| Ambient Operating Temperature | T <sub>A</sub>                       | 0    |      | +60  | °C   |       |
| Case Temperature              | T <sub>CASE</sub>                    |      |      | +75  | °C   | 2     |
| Supply Voltage                | V <sub>DDT</sub><br>V <sub>DDR</sub> | 4.75 | 5.0  | 5.25 | V    |       |
| Supply Current                | I <sub>TX</sub> + I <sub>RX</sub>    |      | 200  | 300  | mA   | 3     |

### Transceiver Electrical Characteristics

(T<sub>A</sub> = 0°C to +60°C, V<sub>CC</sub> = 4.75 V to 5.25 V)

| Parameter         | Symbol             | Min. | Typ. | Max. | Unit | Notes |
|-------------------|--------------------|------|------|------|------|-------|
| Surge Current     | I <sub>SURGE</sub> |      |      | +30  | mA   | 4     |
| Power Dissipation | P <sub>DISS</sub>  |      | 1.00 | 1.58 | W    | 5     |

#### Notes:

1. Up to applied V<sub>DDT</sub>.
2. See Figure 1 for measurement point.
3. Maximum current is specified at V<sub>CC</sub> = maximum @ maximum operating temperature and end of life.
4. Hot plug above actual steady state current.
5. Total Tx + Rx.

### Eye Safety Design

The laser driver is designed to be Class 1 eye safe (CDRH21 CFR(J), IEC 60825-1) under a single fault condition. To be eye safe, only one of two results can occur in the event of a single fault. The transmitter must either maintain normal eye safe operation or the transmitter should be disabled.

There are three key elements to the safety circuitry: a monitor diode, a window detector circuit, and direct control of the laser bias. The window detection circuit monitors the average optical power using the monitor diode. If a fault occurs such that the dc regulation circuit cannot maintain the preset bias conditions within ±20%, the transmitter will automatically be disabled. Once this has occurred, an electrical power reset will allow an attempted turn-on of the transmitter. TX\_FAULT can also be cleared by cycling TX\_DISABLE high for a time interval ≥10 μs.



## AFBR-5601Z

### Transmitter Optical Characteristics

( $T_A = 0^\circ\text{C}$  to  $+60^\circ\text{C}$ ,  $V_{CC} = 4.75\text{ V}$  to  $5.25\text{ V}$ )

| Parameter                                 | Symbol      | Min. | Typ. | Max. | Unit    | Notes             |
|---|-------------|------|------|------|---------|-------------------|
| Output Optical Power                      |             |      |      |      |         |                   |
| 50/125 $\mu\text{m}$ , NA = 0.20 fiber    | $P_O$       | -9.5 |      | -4   | dBmavg. |                   |
| 62.5/125 $\mu\text{m}$ , NA = 0.275 fiber | $P_O$       | -9.5 |      | -4   | dBmavg. |                   |
| Optical Extinction Ratio                  |             | 9    |      |      | dB      |                   |
| Center Wavelength                         | $\lambda_C$ | 830  | 850  | 860  | nm      |                   |
| Spectral Width - rms                      |             |      |      | 0.85 | nm rms  |                   |
| Optical Rise/Fall Time                    | $t_r/t_f$   |      |      | 0.26 | ns      | 1, 4 and Figure 2 |
| $RIN_{12}$                                |             |      |      | -117 | dB/Hz   |                   |
| Total Contributed Jitter                  | TJ          |      |      | 227  | ps p-p  |                   |
| Coupled Power Ratio                       | CPR         | 9    |      |      | dB      |                   |
| Max. Pout TX_DISABLE Asserted             | $P_{OFF}$   |      |      | -35  | dBm     |                   |

### Receiver Optical Characteristics

( $T_A = 0^\circ\text{C}$  to  $+60^\circ\text{C}$ ,  $V_{CC} = 4.75\text{ V}$  to  $5.25\text{ V}$ )

| Parameter                              | Symbol           | Min. | Typ. | Max.  | Unit     | Notes |
|--|------------------|------|------|-------|----------|-------|
| Input Optical Power                    | $P_{IN}$         | -17  | -22  | 0     | dBm avg. | 2     |
| Operating Center Wavelength            | $\lambda_C$      | 770  |      | 860   | nm       |       |
| Return Loss                            |                  | 12   |      |       | dB       |       |
| Receiver Loss of Signal - TTL Low      | $P_{RX\_LOS\ D}$ |      | -23  | -17   | dBm avg. |       |
| Receiver Loss of Signal - TTL High     | $P_{RX\_LOS\ A}$ | -31  | -26  |       | dBm avg. |       |
| Stressed Receiver Sensitivity          |                  |      |      | -12.5 | dBm      | 3     |
| 62.5 $\mu\text{m}$ fiber               |                  |      |      | -13.5 | dBm      |       |
| 50 $\mu\text{m}$ fiber                 |                  |      |      |       |          |       |
| Stressed Receiver Eye Opening @TP4     |                  | 201  |      |       | ps       | 3     |
| Electrical 3 dB Upper Cutoff Frequency |                  |      |      | 1500  | MHz      |       |

#### Notes: (continued on page 10)

1. Pull-up resistor on host  $V_{CC}$ .
2. Rising edge of TX\_DISABLE to fall of output signal below 10% of nominal.
3. Falling edge of TX\_DISABLE to rise of output signal above 90% of nominal.
4. From power on or hot plug after  $V_{DDT} > 4.75\text{ V}$  or From negation of TX\_DISABLE during reset of TX\_FAULT.
5. From occurrence of fault (output safety violation or  $V_{DDT} < 4.5\text{ V}$ ).
6. TX\_DISABLE HIGH before TX\_DISABLE set LOW.
7. 20 - 80% values.

## AFBR-5601Z

### Transmitter Electrical Characteristics

( $T_A = 0^\circ\text{C}$  to  $+60^\circ\text{C}$ ,  $V_{CC} = 4.75\text{ V}$  to  $5.25\text{ V}$ )

| Parameter                                      | Symbol                           | Min. | Typ. | Max. | Unit             | Notes |
|--|----------------------------------|------|------|------|------------------|-------|
| Transmitter Differential Input Voltage         | $\pm\text{TX\_DAT}$              | 650  |      | 2000 | mV p-p           |       |
| Transmit Fault Load                            | $\text{TX\_FAULT}_{\text{Load}}$ | 4.7  |      | 10   | $\text{k}\Omega$ | 1     |
| TX-DISABLE Assert Time                         | $t_{\text{off}}$                 |      |      | 10   | $\mu\text{sec}$  | 2     |
| TX_DISABLE Negate Time                         | T-on                             |      |      | 1    | msec             | 3     |
| Time to initialize, includes reset of TX_FAULT | $t_{\text{init}}$                |      |      | 300  | msec             | 4     |
| TX_FAULT from fault to assertion               | $t_{\text{fault}}$               |      |      | 7    | msec             | 5     |
| TX_DISABLE time to start reset                 | $t_{\text{reset}}$               | 10   |      |      | $\mu\text{sec}$  | 6     |

### Receiver Electrical Characteristics

( $T_A = 0^\circ\text{C}$  to  $+60^\circ\text{C}$ ,  $V_{CC} = 4.75\text{ V}$  to  $5.25\text{ V}$ )

| Parameter   | Symbol                         | Min.         | Typ. | Max.         | Unit             | Notes |
|---|--------------------------------|--------------|------|--------------|------------------|-------|
| Receiver Differential Output Voltage                      | $\pm\text{RX\_DAT}$            | 370          |      | 2000         | mV p-p           |       |
| Receiver Output Rise Time                                 | $t_{\text{rRX\_DAT}}$          |              | 0.25 | 0.35         | ns               | 7     |
| Receiver Output Fall Time                                 | $t_{\text{fRX\_DAT}}$          |              | 0.25 | 0.35         | ns               | 7     |
| Receiver Loss of Light Load                               | $\text{RX\_LOS}_{\text{Load}}$ | 4.7          |      | 10           | $\text{k}\Omega$ | 1     |
| Receiver Loss of Signal Output Voltage - Low              | $\text{RX\_LOS}_L$             | 0.0          |      | 0.5          | V                |       |
| Receiver Loss of Signal Output Voltage - High             | $\text{RX\_LOS}_H$             | $V_{CC}-0.5$ |      | $V_{CC}+0.3$ | V                |       |
| Receiver Loss of Signal Assert Time - Logic low to high   | $t_{A,\text{RX\_LOS}}$         |              |      | 100          | $\mu\text{s}$    |       |
| Receiver Loss of Signal Deassert Time - Logic high to low | $t_{D,\text{RX\_LOS}}$         |              |      | 100          | $\mu\text{s}$    |       |

#### Notes:

1. 20 - 80 values.
2. Modulated with 2<sup>7</sup>-1 PRBS pattern. Results are for a BER of 1E-12.
3. Tested in accordance with the conformance testing requirements of IEEE802.3z.
4. Laser transmitter pulse response characteristics are specified by an eye diagram (Figure 2).

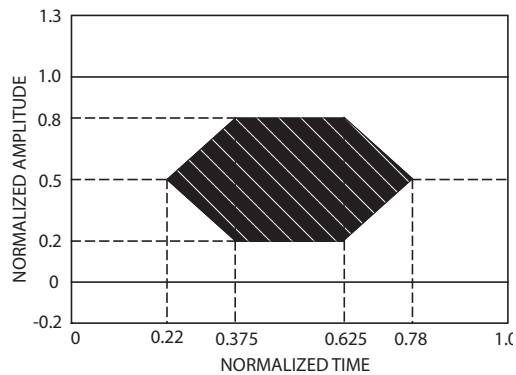


Figure 2. Transmitter Optical Eye Diagram Mask

## Long Wavelength GBIC: AFCT-5611Z

### Transmitter Section

The transmitter section consists of a 1300 nm MQW Fabry Perot Laser in an optical subassembly (OSA), which mates to the fiber optic cable. The Laser OSA is driven by a custom, silicon bipolar IC which converts differential PECL logic signals (ECL referenced to a +5 V supply) into an analog drive current to the laser.

The laser driver IC incorporates temperature compensation and feedback from the OSA to maintain constant output power and extinction ratio over the operating temperature range.

### Receiver Section

The receiver includes a PIN photodiode mounted together with a custom, silicon bipolar transimpedance preamplifier IC, in an OSA. The OSA interfaces to a custom silicon bipolar circuit that provides post-amplification and quantization. The post-amplifier includes a Signal Detect circuit that provides TTL compatible logic-low output in response to the detection of a usable input optical signal.

### Absolute Maximum Ratings

Stresses in excess of the absolute maximum ratings can cause catastrophic damage to the device. Limits apply to each parameter in isolation, all other parameters having values within the recommended operating conditions. It should not be assumed that limiting values of more than one parameter can be applied to the product at the same time. Exposure to the absolute maximum ratings for extended periods can adversely affect device reliability.

| Parameter                             | Symbol                 | Min. | Typ. | Max.      | Unit   | Notes |
|---------------------------------------|------------------------|------|------|-----------|--------|-------|
| Storage Temperature                   | $T_S$                  | -40  |      | +85       | °C     |       |
| Supply Voltage                        | $V_{DDT}$<br>$V_{DDR}$ | -0.5 |      | 6.0       | V      |       |
| Data Input Voltage                    | $TX\_DAT$              | -0.5 |      | $V_{DDT}$ | V      |       |
| TransmitterDifferential Input Voltage | $\pm TX\_DAT$          |      |      | 2000      | mV p-p |       |
| Relative Humidity                     | RH                     | 5    |      | 95        | %      |       |

### Recommended Operating Conditions

| Parameter                     | Symbol                 | Min. | Typ. | Max. | Unit | Notes |
|-------------------------------|------------------------|------|------|------|------|-------|
| Ambient Operating Temperature | $T_A$                  | 0    |      | +60  | °C   |       |
| Case Temperature              | $T_{CASE}$             |      |      | +75  | °C   | 1     |
| Supply Voltage                | $V_{DDT}$<br>$V_{DDR}$ | 4.75 | 5.0  | 5.25 | V    |       |
| Supply Current                | $I_{TX} + I_{RX}$      |      | 200  | 300  | mA   | 2     |

### Eye Safety Design

The laser driver is designed to be Class 1 eye safe (CDRH21 CFR(J), IEC 60825-1) under a single fault condition.

There are three key elements to the safety circuitry: a monitor diode, a window detector circuit, and direct control of the laser bias. The window detection circuit monitors the average optical power using the photo diode in the laser OSA. If a fault occurs such that the dc bias circuit cannot maintain the preset conditions within  $\pm 20\%$ ,  $TX\_FAULT$  (Pin 10) will be asserted (high).

**Note:** Under any single fault, the laser optical output power will remain within Class 1 eye safe limits.

## Transceiver Electrical Characteristics

( $T_A = 0^\circ\text{C}$  to  $+60^\circ\text{C}$ ,  $V_{CC} = 4.75\text{ V}$  to  $5.25\text{ V}$ )

| Parameter         | Symbol      | Min. | Typ. | Max. | Unit | Notes |
|-------------------|-------------|------|------|------|------|-------|
| Surge Current     | $I_{SURGE}$ |      |      | +30  | mA   | 3     |
| Power Dissipation | $P_{DISS}$  |      | 1.00 | 1.58 | W    | 4     |

### Notes:

- See Figure 1 for measurement point.
- Maximum current is specified at  $V_{CC} = \text{maximum @ maximum operating temperature and end of life}$ .
- Hot plug above actual steady state current.
- Total  $T_X + R_X$ .

## AFCT-5611Z

### Transmitter Electrical Characteristics

( $T_A = 0^\circ\text{C}$  to  $+60^\circ\text{C}$ ,  $V_{CC} = 4.75\text{ V}$  to  $5.25\text{ V}$ )

| Parameter                                      | Symbol             | Min.         | Typ. | Max.         | Unit            | Notes |
|--|--------------------|--------------|------|--------------|-----------------|-------|
| Transmitter Differential Input Voltage         | $\pm TX\_DAT$      | 650          |      | 2000         | mV p-p          |       |
| Transmit Fault Load                            | $TX\_FAULT_{Load}$ | 4.7          |      | 10           | k $\Omega$      | 1     |
| Transmit Fault Output - Low                    | $TX\_FAULT_L$      | 0.0          |      | 0.5          | v               |       |
| Transmit Fault Output - High                   | $TX\_FAULT_H$      | $V_{CC}-0.5$ |      | $V_{CC}+0.3$ | v               |       |
| TX_DISABLE Assert Time                         | $t_{off}$          |              | 3    | 10           | $\mu\text{sec}$ | 2     |
| TX_DISABLE Negate Time                         | $t_{on}$           |              | 0.5  | 1            | msec            | 3     |
| Time to initialize, includes reset of TX_FAULT | $t_{init}$         |              | 30   | 300          | msec            | 4     |
| TX_FAULT from fault to assertion               | $t_{fault}$        |              | 20   | 100          | $\mu\text{sec}$ | 5     |
| TX_DISABLE time to start reset                 | $t_{reset}$        | 10           |      |              | $\mu\text{sec}$ | 6     |

### Receiver Electrical Characteristics

( $T_A = 0^\circ\text{C}$  to  $+60^\circ\text{C}$ ,  $V_{CC} = 4.75\text{ V}$  to  $5.25\text{ V}$ )

| Parameter   | Symbol           | Min.         | Typ. | Max.         | Unit          | Notes |
|---|------------------|--------------|------|--------------|---------------|-------|
| Receiver Differential Output Voltage              | $\pm RX\_DAT$    | 370          |      | 2000         | mV p-p        |       |
| Receiver Output Rise Time                         | $t_{rRX\_DAT}$   |              |      | 0.35         | ns            | 7     |
| Receiver Output Fall Time                         | $t_{fRX\_DAT}$   |              |      | 0.35         | ns            | 7     |
| Receiver Loss of Light Load                       | $RX\_LOS_{Load}$ | 4.7          |      | 10           | k $\Omega$    | 1     |
| Receiver Loss of Signal Output Voltage - Low      | $RX\_LOS_L$      | 0.0          |      | 0.5          | V             |       |
| Receiver Loss of Signal Output Voltage - High     | $RX\_LOS_H$      | $V_{CC}-0.5$ |      | $V_{CC}+0.3$ | V             |       |
| Receiver Loss of Signal Assert Time (off to on)   | $t_{A,RX\_LOS}$  |              |      | 100          | $\mu\text{s}$ |       |
| Receiver Loss of Signal Deassert Time (on to off) | $t_{D,RX\_LOS}$  |              |      | 100          | $\mu\text{s}$ |       |

### Notes:

- Pull-up resistor on host  $V_{CC}$ .
- Rising edge of TX\_DISABLE to fall of output signal below 10% of nominal.
- Falling edge of TX\_DISABLE to rise of output signal above 90% of nominal.
- From power on or hot plug after  $V_{DDT} > 4.75\text{ V}$  or From negation of TX\_DISABLE during reset of TX\_FAULT.
- From occurrence of fault (output safety violation or  $V_{DDT} < 4.5\text{ V}$ ).
- TX\_DISABLE HIGH before TX\_DISABLE set LOW.
- 20 - 80% values.

## AFCT-5611Z

### Transmitter Optical Characteristics

( $T_A = 0^\circ\text{C}$  to  $+60^\circ\text{C}$ ,  $V_{CC} = 4.75\text{ V}$  to  $5.25\text{ V}$ )

| Parameter                     | Symbol      | Min.  | Typ. | Max. | Unit   | Notes             |
|-------------------------------|-------------|-------|------|------|--------|-------------------|
| Output Optical Power          |             |       |      |      |        |                   |
| 9/125 $\mu\text{m}$ SMF       | $P_O$       | -9.5  | -7   | -3   | dBm    |                   |
| 62.5/125 $\mu\text{m}$ MMF    |             | -11.5 |      | -3   | dBm    |                   |
| 50/125 $\mu\text{m}$ MMF      |             | -11.5 |      | -3   | dBm    |                   |
| Optical Extinction Ratio      |             | 9     |      |      | dB     |                   |
| Center Wavelength             | $\lambda_C$ | 1285  | 1310 | 1343 | nm     |                   |
| Spectral Width - rms          |             |       |      | 2.8  | nm rms |                   |
| Optical Rise/Fall Time        | $t_r/t_f$   |       |      | 0.26 | ns     | 1, 4 and Figure 2 |
| $RIN_{12}$                    |             |       |      | -116 | dB/Hz  |                   |
| Total Contributed Jitter      | TJ          |       |      | 227  | ps p-p |                   |
| Coupled Power Ratio           | CPR         | 9     |      |      | dB     |                   |
| Max. Pout TX_DISABLE Asserted | $P_{OFF}$   |       |      | -35  | dBm    |                   |

### Receiver Optical Characteristics

( $T_A = 0^\circ\text{C}$  to  $+60^\circ\text{C}$ ,  $V_{CC} = 4.75\text{ V}$  to  $5.25\text{ V}$ )

| Parameter                                 | Symbol           | Min. | Typ. | Max.  | Unit     | Notes |
|---|------------------|------|------|-------|----------|-------|
| Input Optical Power                       | $P_{IN}$         | -20  | -25  | -3    | dBm avg. | 2     |
| Operating Center Wavelength               | $\lambda_C$      | 1270 |      | 1355  | nm       |       |
| Return Loss                               |                  | 12   |      |       | dB       |       |
| Receiver Loss of Signal - TTL Low         | $P_{RX\_LOS\ D}$ |      | -28  | -20   | dBm avg. |       |
| Receiver Loss of Signal - TTL High        | $P_{RX\_LOS\ A}$ | -31  |      |       | dBm avg. |       |
| Stressed Receiver Sensitivity             |                  |      |      | -14.4 | dBm      | 3     |
| Stressed Receiver Eye Opening<br>@TP4     |                  | 201  |      |       | ps       | 3     |
| Electrical 3 dB Upper<br>Cutoff Frequency |                  |      |      | 1500  | MHz      |       |

#### Notes:

1. 20 - 80% values.
2. Modulated with  $2^7-1$  PRBS pattern. Results are for a BER of  $1E-12$ .
3. Tested in accordance with the conformance testing requirements of IEEE802.3z.
4. Laser transmitter pulse response characteristics are specified by an eye diagram (Figure 2).

For product information and a complete list of distributors, please go to our web site: [www.avagotech.com](http://www.avagotech.com)

Avago, Avago Technologies, and the A logo are trademarks of Avago Technologies, Limited in the United States and other countries.  
Data subject to change. Copyright © 2006 Avago Technologies Limited. All rights reserved. Obsoletes 5989-3792EN  
AV02-0255EN - December 18, 2007

