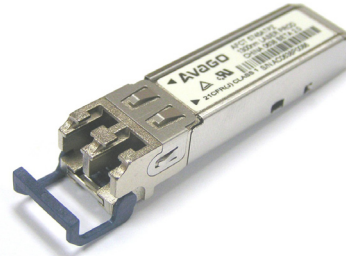


# AFCT-5745Z

Family of Single-Mode SFP Transceivers for SONET OC-48 and SDH/STM-16 with Digital Diagnostic Monitoring (DDM) Interface  
Part of the Avago METRAK family



## Data Sheet



### Description

The AFCT-5745Z are high performance, cost effective modules for serial optical data communications applications that range from 125 Mb/s to 2.7 Gb/s. They are designed to provide SONET/SDH compliant connections for 2488 Mb/s at both short and intermediate reach links. All modules are designed for single mode fiber and operate at a nominal wavelength of 1300 nm. The transmitter section of the AFCT-5745xPZ incorporates a 1300 nm Fabry Perot (FP) laser. The transmitter in the AFCT-5745xTPZ uses a Distributed Feedback (DFB) Laser.

For each device the receiver section uses an MOVPE grown planar SEDET PIN photodetector for low dark current and excellent responsivity. A positive-ECL logic interface simplifies interface to external circuitry.

The AFCT-5745Z adds digital diagnostic monitoring to standard SFP functionality, enabling fault isolation, components monitoring and failure prediction capabilities.

The diagnostic features allow the host to observe real time temperature, supply voltage, laser bias current, laser average output power and received input average power through the legacy SFP two wire serial memory interface. Conventional memory information found in legacy SFPs is also available in these enhanced transceivers.

Hot-plugging is ensured by design and by 3-stage pin sequencing at the electrical interface.

### Part Number Options

The AFCT-5745Z SFP family consists of the following products:

Part Number	Link Distance	Temperature*	Latch Design
AFCT-5745PZ	2km	Extended	Bail
AFCT-5745APZ	2km	Industrial	Bail
AFCT-5745TPZ	15km	Extended	Bail
AFCT-5745ATPZ	15km	Industrial	Bail

\* Extended Temperature Range is -10 to 85 °C  
Industrial Temperature Range is -40 to 85 °C

### Features

- RoHS-6 Compliant
- Compliant with SFF-8472, internally calibrated diagnostic monitoring for optical transceivers
  - Transceiver optical output power
  - Receiver average optical power
  - Laser bias current
  - Device temperature
  - Supply voltage
- Compliant with SFF-8074i SFP transceiver specification
- Compliant with ITU-T G957 STM-16 I-16 (2km) and S-16.1 (15km)
- Compliant with Telcordia GR253 SR (2km) and IR-1 (15km)
- Class 1 CDRH/IEC 825 eye safety compliant
- Operating case temperature:
  - 10 °C to +85 °C
  - 40 °C to +85 °C
- Multirate operation from 125 Mb/s to 2.7 Gb/s
- LC duplex fiber connector
- Manufactured in an ISO 9001 compliant facility

### Applications

- SONET ADMs (Add/Drop Multiplexers)
- Multi-Service Edge & Aggregation Platforms
- ATM switches and routers
- SONET/SDH switch infrastructure
- xDSL applications
- Metro edge switching

### Related Products

- AFCT-5765Z family of OC3 SFP transceivers with DMI
- AFCT-5755Z family of OC12 SFP transceivers with DMI

## Functional Description

### Receiver Section Design

The receiver section for the AFCT-5745Z contains an InGaAs/InP photo detector and a preamplifier mounted in an optical subassembly. This optical subassembly is coupled to a postamplifier/decision circuit on a circuit board. The postamplifier is ac coupled to the preamplifier. The coupling capacitors are chosen to pass the SONET/SDH test pattern at 155 Mb/s, 622 Mb/s and 2.488 Gb/s without significant distortion or performance penalty.

For multirate applications the sensitivity will meet the maximum SONET specification for OC48 across all data rates (-19dBm) for 2<sup>23</sup>-1 PRBS patterns as well as for dc balanced codes, e.g. 8B/10B. For codes that have a significantly lower frequency content, jitter and pulse distortion could be degraded.

### Loss of Signal

The Loss of Signal (LOS) output indicates that the optical input signal to the receiver does not meet the minimum detectable level for compliant signals. When LOS is high it indicates loss of signal. When LOS is low it indicates normal operation. The Loss of Signal thresholds are set to indicate a definite optical fault has occurred (eg., disconnected or broken fiber connection to receiver, failed transmitter).

### Transmitter Section Design

A schematic diagram for the transmitter is shown in Figure 1. The AFCT-5745xPZ incorporates an FP laser as its optical source, the AFCT-5745xTPZ incorporates an DFB laser as its optical source. All part numbers have been designed to be compliant with IEC 825 and CDRH eye safety requirements. The optical output is controlled by a custom IC that detects the laser output via the monitor photodiode. This IC provides both dc and ac current drive to the laser to ensure correct modulation, eye diagram and extinction ratio over temperature, supply voltage and operating life.

### TX\_FAULT

The AFCT-5745Z modules feature a transmit fault control signal output which when high indicates a laser transmit fault has occurred and when low indicates normal laser operation. A transmitter fault condition can be caused by deviations from the recommended module operating conditions or by violation of eye safety conditions. A fault is cleared by cycling the TX\_DISABLE control input.

### TX\_DISABLE

The AFCT-5745Z accepts a transmit disable control signal input which shuts down the transmitter. A high signal implements this function while a low signal allows normal laser operation. In the event of a fault (eg., eye safety circuit activated), cycling this control signal resets the module. The TX\_DISABLE control should be actuated upon initialization of the module.

### Digital Diagnostic Interface and Serial Identification (EEPROM)

The AFCT-5745Z complies with both SFF-8074i (SFP) and SFF-8472 (Digital Diagnostic SFP) specifications available from the SFF Committee at <http://www.sffcommittee.org>. The AFCT-5745Z adds digital diagnostic monitoring to standard SFP functionality, enabling failure prediction, fault isolation, and component monitoring capabilities. The transceiver continues to use the 2-wire I<sup>2</sup>C compatible serial interface. Standard SFP EEPROM bytes 0-255 are addressed per SFF-8074i at memory address 0xA0 (A0h). New digital diagnostic information is accessed per SFF-8472 using EEPROM bytes 0-255 at memory address 0xA2 (A2h).

The AFCT-5745Z provides real time access to transceiver internal supply voltage and temperature, transmitter output power, laser bias current and receiver average input power, allowing a host to predict system compliance issues.

These 5 parameters are reported "internally" calibrated as described in SFF-8472.

## Module Description

The transceiver meets the Small Form Pluggable (SFP) industry standard package utilizing an integral LC-Duplex optical interface connector. The hot-pluggable capability of the SFP package allows the module to be installed at any time - even with the host system operating and on-line. This allows for system configuration changes or maintenance without system down time.

## Module Diagrams

Figure 1 illustrates the major functional components of the AFCT-5745Z. The connection diagram of the module is shown in Figure 2. Figure 3 depicts the external configuration of the module. Figure 4 depicts the MSA recommended power supply filter.

## Installation

The AFCT-5745Z can be installed in or removed from any Multisource Agreement (MSA) –compliant Small Form Pluggable port regardless of whether the host equipment is operating or not. The module is simply inserted, electrical interface first, under finger pressure. Controlled hot-plugging is ensured by design and by 3-stage pin sequencing at the electrical interface. The module housing makes initial contact with the host board EMI shield mitigating potential damage due to Electro-Static Discharge (ESD). The 3-stage pin contact sequencing involves (1) Ground, (2) Power, and then (3) Signal pins, making contact with the host board surface mount connector in that order.

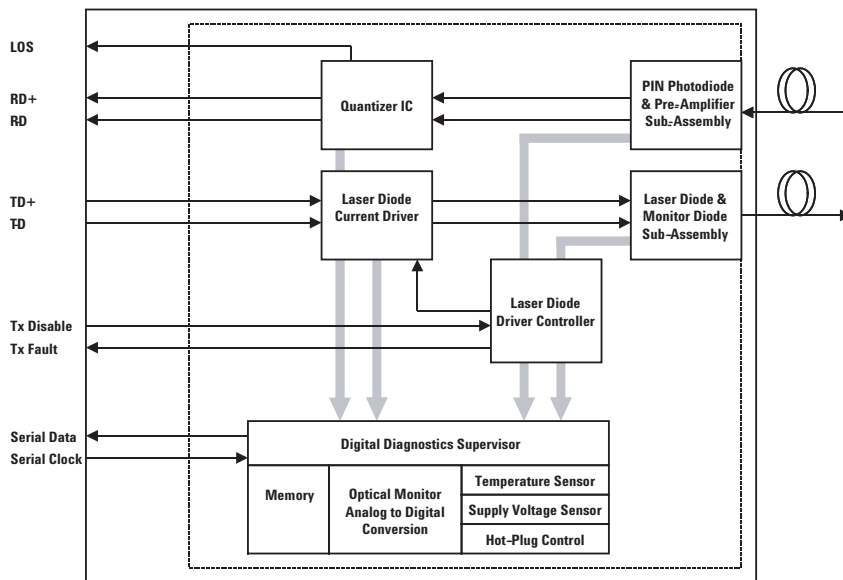


Figure 1. Transceiver Functional Block Diagram

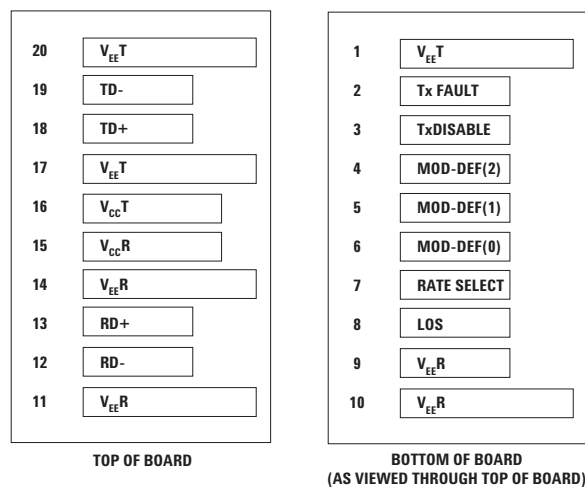


Figure 2. Connection Diagram of Module Printed Circuit Board

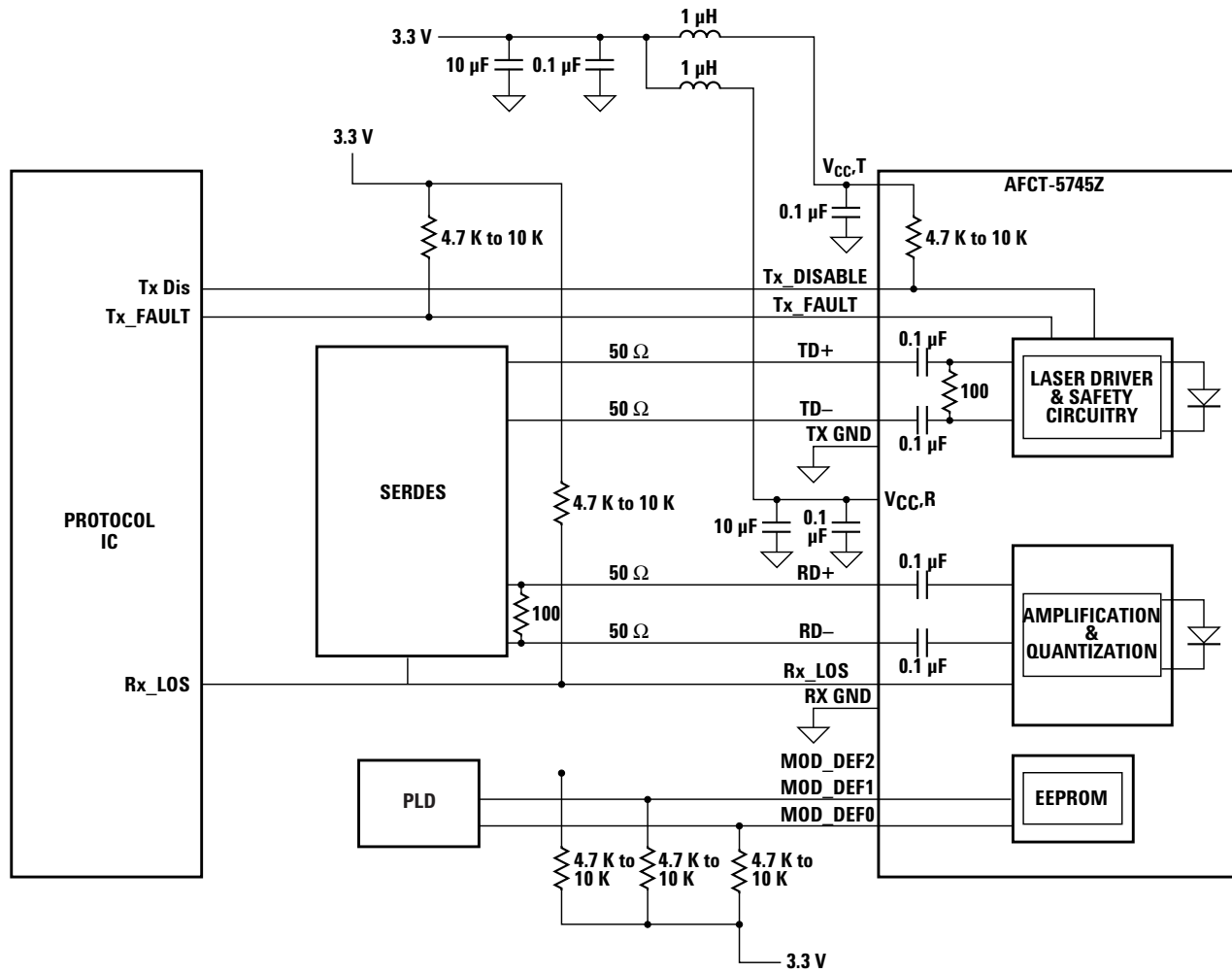
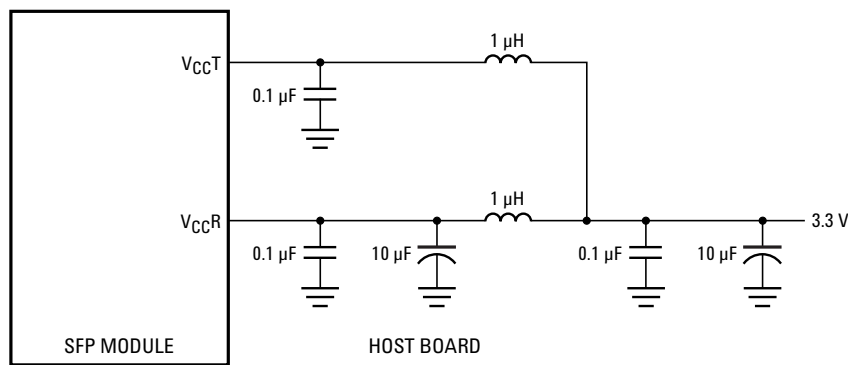


Figure 3. Recommended Application Configuration



NOTE: INDUCTORS MUST HAVE LESS THAN 1 Ω SERIES RESISTANCE PER MSA.

Figure 4. Recommended MSA power supply filter

**Table 1. Pin-out Table**

The pin arrangement and definition of this product meets SFP MSA. Table 1 lists the pin description.

Pin	Name	Function/Description	Notes
1	V <sub>EE</sub> T	Transmitter Ground	
2	TX_FAULT	Transmitter Fault Indication	Note 1
3	TX_DISABLE	Transmitter Disable - Module disables on high or open	Note 2
4	MOD-DEF 2	Module Definition 2 - Two wire serial ID interface	Note 3
5	MOD-DEF 1	Module Definition 1 - Two wire serial ID interface	Note 3
6	MOD-DEF 0	Module Definition 0 - Grounded in module	Note 3
7	Rate Select	Not Connected	
8	LOS	Loss of Signal	Note 4
9	V <sub>EE</sub> R	Receiver Ground	Note 5
10	V <sub>EE</sub> R	Receiver Ground	Note 5
11	V <sub>EE</sub> R	Receiver Ground	Note 5
12	RD-	Inverse Received Data Out	Note 6
13	RD+	Received Data Out	Note 6
14	V <sub>EE</sub> R	Receiver Ground	Note 5
15	V <sub>CC</sub> R	Receiver Power - 3.3 V ±5%	Note 7
16	V <sub>CC</sub> T	Transmitter Power - 3.3 V ±5%	Note 7
17	V <sub>EE</sub> T	Transmitter Ground	Note 5
18	TD+	Transmitter Data In	Note 8
19	TD-	Inverse Transmitter Data In	Note 8
20	V <sub>EE</sub> T	Transmitter Ground	Note 5

**Notes:**

- TX\_FAULT is an open collector/drain output which should be pulled up externally with a 4.7 – 10 K $\Omega$  resistor on the host board to a supply < V<sub>CC</sub> +0.3 V. When high, this output indicates a laser fault of some kind. Low indicates normal operation. In the low state, the output will be pulled to < 0.8 V.
- TX disable input is used to shut down the laser output per the state table below (internal 10 K $\Omega$  pull-up resistor).
 

Low (0 – 0.8 V):	Transmitter on
Between (0.8 V and 2.0 V):	Undefined
High (2.0 – 3.465 V):	Transmitter Disabled
Open:	Transmitter Disabled
- Mod-Def 0,1,2. These are the module definition pins. They should be pulled up with a 4.7-10 K $\Omega$  resistor on the host board to a supply less than V<sub>CC</sub>T +0.3 V or V<sub>CC</sub>R +0.3 V.  
 Mod-Def 0 is grounded by the module to indicate that the module is present  
 Mod-Def 1 is clock line of two wire serial interface for optional serial ID  
 Mod-Def 2 is data line of two wire serial interface for optional serial ID
- LOS (Loss of Signal) is an open collector/drain output which should be pulled up externally with a 4.7 – 10 K $\Omega$  resistor on the host board to a supply < V<sub>CC</sub>T,R+0.3 V. When high, this output indicates the received optical power is below the worst case receiver sensitivity (as defined by the standard in use). Low indicates normal operation. In the low state, the output will be pulled to < 0.8 V. Please see later section for LOS timing.
- V<sub>EE</sub>R and V<sub>EE</sub>T are internally connected within the SFP module
- RD-/+ : These are the differential receiver outputs. They are ac coupled 100  $\Omega$  differential lines which should be terminated with 100  $\Omega$  differential at the user SERDES. The ac coupling is done inside the module and is thus not required on the host board. The voltage swing on these lines will be between 370 and 2000 mV differential (185 – 1000 mV single ended) when properly terminated.
- V<sub>CC</sub>R and V<sub>CC</sub>T are the receiver and transmitter power supplies. They are defined as 3.1 – 3.5 V at the SFP connector pin. The maximum supply current is 300 mA. V<sub>CC</sub>R and V<sub>CC</sub>T are internally connected. See the Application Note for further recommendations on power supply filtering.
- TD-/+ : These are the differential transmitter inputs. They are ac coupled differential lines with 100  $\Omega$  differential termination inside the module. The ac coupling is done inside the module and is thus not required on the host board. The inputs will accept differential swings of 500 – 2400 mV (250 – 1200 mV single ended).

**Table 2. EEPROM Serial ID Memory Contents - Address A0h**

Address	Hex	Notes/ASCII	Address	Hex	Notes/ASCII	Address	Hex	Notes/ASCII
0	03	SFP physical device	27	20		54	20	
1	04	SFP function defined by serial ID only	28	20		55	20	
2	07	LC optical connector	29	20		56	20	
3	00		30	20		57	20	
4	Table 3	Sonet Reach Specifier	31	20		58	20	
5	00		32	20		59	20	
6	00		33	20		60	05	Hex byte of laser wavelength (Note 2)
7	00		34	20		61	1E	Hex byte of laser wavelength (Note 2)
8	00		35	20		62	00	
9	00		36	00		63		Checksum for Bytes 0-62 (Note 3)
10	00		37	00	Hex Byte of Vendor OUI (Note 1)	64	00	
11	05	SONET Scrambled	38	17	Hex Byte of Vendor OUI (Note 1)	65	1A	Hardware SFP Tx_Disable, Tx_Fault & Rx_LOS
12	19	2488 Mbit/sec nominal bit rate	39	6A	Hex Byte of Vendor OUI (Note 1)	66	00	Upper Bit Rate Margin
13	00		40	41	A	67	00	Lower Bit Rate Margin
14	Table 3	Link length 9 $\mu$ in km	41	46	F	68-83		Vendor Specific Serial Number ASCII characters (Note 4)
15	Table 3	Link length 9 $\mu$ in m	42	43	C	84-91		Vendor Date Code ASCII characters (Note 5)
16	00		43	54	T	92	78	Digital Diagnostics, Internal Cal, Rx P <sub>AV</sub>
17	00		44	2D	-	93	F0	Soft SFP Tx_Disable, Tx_Fault & Rx_LOS
18	00		45	35	5	94	01	SFF-8472 Compliance to Revision 9.0
19	00		46	37	7	95		Checksum for Bytes 64-94 (Note 3)
20	41	A	47	32	4	96-127	00	Vendor specific EEPROM
21	56	V	48	35	5	128-255	00	Reserved
22	41	A	49	Table 3				
23	47	G	50	20				
24	4F	O	51	20				
25	20		52	20				
26	20		53	20				

**Notes:**

1. The IEEE Organizationally Unique Identifier (OUI) assigned to Avago is 00-17-6A (3 bytes of hex).
2. Laser wavelength is represented in 16 unsigned bits. The hex representation of 1310 nm is 051E.
3. Addresses 63 and 95 are checksums calculated (per SFF-8472 and SFF-8074) and stored prior to product shipment.
4. Addresses 68-83 specify the AFCT-5745Z ASCII serial number and will vary on a per unit basis.
5. Addresses 84-91 specify the AFCT-5745Z ASCII date code and will vary on a per date code basis.
6. Module is compatible with both internal and external DMI Calibration math at host end.

**Table 3. Individual Identifiers**

AFCT-5745PZ			AFCT-5745APZ			AFCT-5745TPZ			AFCT-5745ATPZ		
Address	Hex	Notes/ ASCII	Address	Hex	Notes/ ASCII	Address	Hex	Notes/ ASCII	Address	Hex	Notes/ ASCII
4	11	SR-1	4	11	SR-1	4	12	IR-1	4	12	IR-1
14	02	2km	14	02	2km	14	0F	15km	14	0F	15km
15	14	2000m	15	14	2000m	15	96	15000m	15	96	15000m
49	50	P	49	41	A	49	54	T	49	41	A
50	5A	Z	50	50	P	50	50	P	50	54	T
51	20		51	5A	Z	51	5A	Z	51	50	P
52	20		52	20		52	20		52	5A	Z

**Table 4. EEPROM Serial ID Memory Contents - Address A2h**

Byte #	Decimal	Notes	Byte #	Decimal	Notes	Byte #	Decimal	Notes
0	Temp H	Alarm MSB <sup>1</sup>	26	Tx Pwr L Alarm MSB <sup>4</sup>		104	Real Time Rx PAV MSB <sup>5</sup>	
1	Temp H	Alarm LSB <sup>1</sup>	27	Tx Pwr L Alarm LSB <sup>4</sup>		105	Real Time Rx PAV LSB <sup>5</sup>	
2	Temp L	Alarm MSB <sup>1</sup>	28	Tx Pwr H Warning MSB <sup>4</sup>		106	Reserved	
3	Temp L	Alarm LSB <sup>1</sup>	29	Tx Pwr H Warning LSB <sup>4</sup>		107	Reserved	
4	Temp H	Warning MSB <sup>1</sup>	30	Tx Pwr L Warning MSB <sup>4</sup>		108	Reserved	
5	Temp H	Warning LSB <sup>1</sup>	31	Tx Pwr L Warning LSB <sup>4</sup>		109	Reserved	
6	Temp L	Warning MSB <sup>1</sup>	32	Rx Pwr H Alarm MSB <sup>5</sup>		110	Status/Control – see Table 5	
7	Temp L	Warning LSB <sup>1</sup>	33	Rx Pwr H Alarm LSB <sup>5</sup>		111	Reserved	
8	VCC H	Alarm MSB <sup>2</sup>	34	Rx Pwr L Alarm MSB <sup>5</sup>		112	Flag Bits – see Table 6	
9	VCC H	Alarm LSB <sup>2</sup>	35	Rx Pwr L Alarm LSB <sup>5</sup>		113	Flag Bit – see Table 6	
10	VCC L	Alarm MSB <sup>2</sup>	36	Rx Pwr H Warning MSB <sup>5</sup>		114	Reserved	
11	VCC L	Alarm LSB <sup>2</sup>	37	Rx Pwr H Warning LSB <sup>5</sup>		115	Reserved	
12	VCC H	Warning MSB <sup>2</sup>	38	Rx Pwr L Warning MSB <sup>5</sup>		116	Flag Bits - see Table 6	
13	VCC H	Warning LSB <sup>2</sup>	39	Rx Pwr L Warning LSB <sup>5</sup>		117	Flag Bits - see Table 6	
14	VCC L	Warning MSB <sup>2</sup>	40-55	Reserved		118	Reserved	
15	VCC L	Warning LSB <sup>2</sup>	56-94	External Calibration Constants <sup>6</sup>		119	Reserved	
16	Tx Bias H	Alarm MSB <sup>3</sup>	95	Checksum for Bytes 0-94 <sup>7</sup>		120-122	Reserved	
17	Tx Bias H	Alarm LSB <sup>3</sup>	96	Real Time Temperature MSB <sup>1</sup>		123		
18	Tx Bias L	Alarm MSB <sup>3</sup>	97	Real Time Temperature LSB <sup>1</sup>		124		
19	Tx Bias L	Alarm LSB <sup>3</sup>	98	Real Time Vcc MSB <sup>2</sup>		125		
20	Tx Bias H	Warning MSB <sup>3</sup>	99	Real Time Vcc LSB <sup>2</sup>		126		
21	Tx Bias H	Warning LSB <sup>3</sup>	100	Real Time Tx Bias MSB <sup>3</sup>		127	Reserved <sup>8</sup>	
22	Tx Bias L	Warning MSB <sup>3</sup>	101	Real Time Tx Bias LSB <sup>3</sup>		128-247	Customer Writable <sup>9</sup>	
23	Tx Bias L	Warning LSB <sup>3</sup>	102	Real Time Tx Power MSB <sup>4</sup>		248-254	Vendor Specific	
24	Tx Pwr H	Alarm MSB <sup>4</sup>	103	Real Time Tx Power LSB <sup>4</sup>		255		
25	Tx Pwr H	Alarm LSB <sup>4</sup>						

**Notes:**

1. Temperature (Temp) is decoded as a 16 bit signed two's complement integer in increments of 1/256 °C.
2. Supply voltage (V<sub>CC</sub>) is decoded as a 16 bit unsigned integer in increments of 100 μV.
3. Laser bias current (Tx Bias) is decoded as a 16 bit unsigned integer in increments of 2 μA.
4. Transmitted average optical power (Tx Pwr) is decoded as a 16 bit unsigned integer in increments of 0.1 μW.
5. Received average optical power (Rx Pwr) is decoded as a 16 bit unsigned integer in increments of 0.1 μW.
6. Bytes 55-94 are not intended for use with AFCT-5745Z, but have been set to default values per SFF-8472.
7. Bytes 95 is a checksum calculated (per SFF-8472) and stored prior to product shipment.
8. Byte 127 accepts a write but performs no action (reserved legacy byte).
9. Bytes 128-247 are write enabled (customer writable).
10. Byte 255 bits 2 and 3 control laser margining (per Table 7) when an enabling password is entered into bytes 123-126.



**Table 5. EEPROM Serial ID Memory Contents - Address A2h, Byte 110**

Bit #	Status/Control Name	Description
7	Tx Disable State	Digital state of SFP Tx Disable Input Pin (1 = Tx_Disable asserted)
6	Soft Tx Disable	Read/write bit for changing digital state of SFP Tx_Disable function Note 1)
5	Reserved	
4	Rx Rate Select State	Digital state of SFP Rate Select Input Pin (1 = full bandwidth of 2.488 Gbit) (Note 2)
3	Reserved	
2	Tx Fault State	Digital state of The SFP Tx Fault Output Pin (1 = Tx Fault asserted)
1	Rx LOS State	Digital state of The SFP LOS Output Pin (1 = LOS asserted)
0	Data Ready (Bar)	Indicates Transceiver is powered and Real Time sense data is Ready (0 = Ready)

**Notes:**

1. Bit 6 is logic OR'd with the SFP Tx\_Disable input pin 3 ... either asserted will disable the SFP transmitter.
2. AFCT-5745Z does not respond to state changes on Rate Select Input Pin. It is internally hardwired to full bandwidth.

**Table 6. EEPROM Serial ID Memory Contents - Address A2h, Bytes 112, 113, 116, 117**

Byte	Bit #	Flag	Bit Name Description
112	7	Temp High	Alarm Set when transceiver internal temperature exceeds high alarm threshold.
	6	Temp Low	Alarm Set when transceiver internal temperature exceeds alarm threshold.
	5	V <sub>CC</sub> High	Alarm Set when transceiver internal supply voltage exceeds high alarm threshold.
	4	V <sub>CC</sub> Low	Alarm Set when transceiver internal supply voltage exceeds low alarm threshold.
	3	Tx Bias High	Alarm Set when transceiver laser bias current exceeds high alarm threshold.
	2	Tx Bias Low	Alarm Set when transceiver laser bias current exceeds low alarm threshold.
	1	Tx Power High	Alarm Set when transmitted average optical power exceeds high alarm threshold.
	0	Tx Power Low	Alarm Set when transmitted average optical power exceeds low alarm threshold.
113	7	Rx Power High	Alarm Set when received P_Avg optical power exceeds high alarm threshold.
	6	Rx Power Low	Alarm Set when received P_Avg optical power exceeds low alarm threshold.
	0-5	Reserved	
116	7	Temp High	Warning Set when transceiver internal temperature exceeds high warning threshold.
	6	Temp Low	Warning Set when transceiver internal temperature exceeds low warning threshold.
	5	V <sub>CC</sub> High	Warning Set when transceiver internal supply voltage exceeds high warning threshold.
	4	V <sub>CC</sub> Low	Warning Set when transceiver internal supply voltage exceeds low warning threshold.
	3	Tx Bias High	Warning Set when transceiver laser bias current exceeds high warning threshold.
	2	Tx Bias Low	Warning Set when transceiver laser bias current exceeds low warning threshold.
	1	Tx Power High	Warning Set when transmitted average optical power exceeds high warning threshold.
	0	Tx Power Low	Warning Set when transmitted average optical power exceeds low warning threshold.
117	7	Rx Power High	Warning Set when received P_Avg optical power exceeds high warning threshold.
	9	Rx Power Low	Warning Set when received P_Avg optical power exceeds low warning threshold.
	0-5	Reserved	

## Electrical Parameters

### Absolute Maximum Ratings

Absolute maximum ratings are those values beyond which functional performance is not intended, device reliability is not implied, and damage to the device may occur.

Parameter	Symbol	Minimum	Maximum	Unit	Notes
Storage Temperature (non-operating)	T <sub>S</sub>	-40	+85	°C	
Relative Humidity	RH	0	85	%	
Supply Voltage	V <sub>CC</sub>	-0.5	3.63	V	
Input Voltage on any Pin	V <sub>I</sub>	-0.5	V <sub>CC</sub>	V	
Receiver Optical Input	P <sub>INABS</sub>		6	dBm	

### Recommended Operating Conditions

Typical operating conditions are those values for which functional performance and device reliability is implied.

Parameter	Symbol	Minimum	Typical	Maximum	Unit	Notes
Case Operating Temperature						
AFCT-5745PZ/TPZ	T <sub>C</sub>	-10		+85	°C	11
AFCT-5745APZ/ATPZ	T <sub>C</sub>	-40		+85	°C	
Supply Voltage	V <sub>CC</sub>	3.1	3.3	3.5	V	

### Transceiver Electrical Characteristics

Parameter	Symbol	Minimum	Typical	Maximum	Unit	Notes
Module supply current	I <sub>CC</sub>			300	mA	2
Power Dissipation	P <sub>DISS</sub>			1000	mW	
<b>AC Electrical Characteristics</b>						
Power Supply Noise Rejection	PSNR	100			mV	3
<b>DC Electrical Characteristics</b>						
<b>Signal Outputs:</b>						
Transmit Fault (TX_FAULT)	V <sub>OH</sub>	2.0		3.5	V	4
Loss of Signal (LOS)	V <sub>OL</sub>	0		0.8	V	
<b>Signal Inputs:</b>						
Transmitter Disable (TX_DISABLE)	V <sub>IH</sub>	2.0		3.5	V	7
MOD-DEF1, 2	V <sub>IL</sub>	0		0.8	V	
<b>Data Input:</b>						
Transmitter Single Ended Input Voltage (TD±)	V <sub>I</sub>	250		1200	mV	5
<b>Data Output:</b>						
Receiver Single Ended Output Voltage (RD±)	V <sub>O</sub>	185		1000	mV	6

#### Notes:

1. Operating conditions: +70°C ambient, air flow 0.5m/s
2. MSA gives max current at 300 mA.
3. MSA filter is required on host board 10 Hz to 2 MHz.
4. LVTTTL, External 4.7-10 kΩ pull up resistor required on host board to voltage less than V<sub>CC</sub>+0.3 V.
5. Internally ac coupled and terminated (100 Ω differential).
6. Internally ac coupled and load termination located at the user SERDES.
7. Minimum input to MOD-DEF1,2 is 0.7\*V<sub>CC</sub>

## Transmitter Optical Characteristics

Parameter		Symbol	Min.	Typ.	Max.	Unit	Reference
Output Optical Power 9 $\mu$ m SMF	AFCT-5745PZ/APZ	$P_{OUT}$	-10		-3	dBm	1
	AFCT-5745TPZ/ATPZ	$P_{OUT}$	-5		0	dBm	1
Center Wavelength		$\lambda_C$	1270		1360	nm	
Spectral Width	AFCT-5745PZ/APZ	$\sigma$			4	nm rms	2
	AFCT-5745TPZ/ATPZ	$\sigma$			1	nm	7
SMSR	AFCT-5745TPZ/ATPZ		30			dB	
Optical Rise Time		$t_r$			150	ps	3
Optical Fall Time		$t_f$			200	ps	3
Extinction Ratio	AFCT-5745TPZ/ATPZ	$E_R$	8.2			dB	
Back Reflection Sensitivity	AFCT-5745TPZ/ATPZ				-8.5	dB	4
Jitter Generation		pk to pk			70	mUI	5
		RMS			7	mUI	5

## Receiver Optical Characteristics

Parameter		Symbol	Min.	Typ.	Max.	Unit	Reference
Receiver Sensitivity		$P_{IN\ MIN}$			-18	dBm avg.	6
Receiver Overload	AFCT-5745PZ/APZ	$P_{IN\ MAX}$	-3			dBm avg.	6
	AFCT-5745TPZ/ATPZ	$P_{IN\ MAX}$	0			dBm avg.	8
Input Operating Wavelength		$\lambda$	260		1580	nm	
LOS - Deasserted		$P_{LOSD}$			-19	dBm avg.	
LOS - Asserted		$P_{LOSA}$	-35			dBm avg.	
LOS - Hysteresis		$P_H$	0.5		4	dB	
Reflectance					-27	dB	

### Notes:

1. The output power is coupled into a 1 m single mode fiber. Minimum output optical level is at end of life.
2. The relationship between FWHM and RMS values for spectral width can be derived from the assumption of a Gaussian shaped spectrum which results in  $RMS = FWHM/2.35$ .
3. These are unfiltered 20 - 80% values.
4. This meets the "desired" requirement in SONET specification (GR253). The figure given is the allowable mismatch for 1 dB degradation in receiver sensitivity.
5. For the jitter measurements, the device was driven with SONET OC-48C data pattern filled with a 2<sup>23</sup>-1 PRBS payload.
6.  $P_{IN}$  represents the typical optical input sensitivity of the receiver. Minimum sensitivity ( $P_{IN\ MIN}$ ) and saturation ( $P_{IN\ MAX}$ ) levels for a 2<sup>23</sup>-1 PRBS test pattern. Over the range the receiver is guaranteed to provide output data with a Bit Error Rate better than or equal to  $1 \times 10^{-10}$ . For multirate applications the sensitivity will meet the maximum SONET specification for OC-48 across all datarates (-19 dBm).
7. Spectral width of main laser peak measured 20 dB below peak spectral density.
8. It is recommended that an attenuator be added in the TX to RX optical loopback path.

## Transceiver Digital Diagnostic Monitor (Real Time Sense) Characteristics

( $T_C = -10\text{ }^\circ\text{C}$  to  $+85\text{ }^\circ\text{C}$ ,  $V_{CC1}, R = 3.1\text{ V}$  to  $3.5\text{ V}$ )

Parameter	Symbol	Min.	Typ.	Max.	Unit	Reference
Transceiver Internal Temperature Accuracy	$T_{INT}$	-3.0		+3.0	$^\circ\text{C}$	1
Transceiver Internal Supply Voltage Accuracy	$V_{INT}$	-3.0		+3.0	%	2
Transmitter Laser dc Bias Current Accuracy	$I_{INT}$	-10		+10	%	3
Transmitted Average Optical Output Power Accuracy	$P_T$	-3.0		+3.0	dB	
Received Average Optical Input Power Accuracy	$P_R$	-3.0		+3.0	dB	

### Notes:

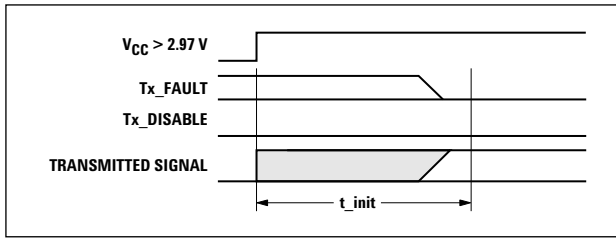
1. Temperature was measured internal to the transceiver. Valid from  $-10\text{ }^\circ\text{C}$  to  $+85\text{ }^\circ\text{C}$ .  
For calibration to an external temperature, please contact Avago.
2. Reference voltage is 3.3 V.
3. Valid from 0 to 50 mA, avg.

## Transceiver Timing Characteristics

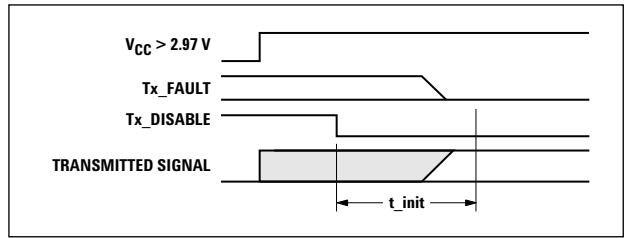
Parameter	Symbol	Minimum	Typical	Maximum	Unit	Notes
Tx Disable Assert Time	$t_{off}$			10	$\mu\text{s}$	1
Tx Disable Negate Time	$t_{on}$			1	ms	2
Time to initialize, including reset of Tx-Fault	$t_{init}$			300	ms	3
Tx Fault Assert Time	$t_{fault}$			100	$\mu\text{s}$	4
Tx Disable to Reset	$t_{reset}$	10			$\mu\text{s}$	5
LOS Assert Time	$t_{loss\_on}$	2.3		100	$\mu\text{s}$	6
LOS Deassert Time	$t_{loss\_off}$			100	$\mu\text{s}$	7
Serial ID Clock Rate	$f_{serial\_clock}$			100	kHz	

### Notes:

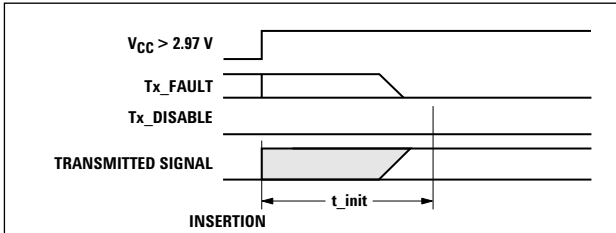
1. Time from rising edge of Tx Disable to when the optical output falls below 10% of nominal.
2. Time from falling edge of Tx Disable to when the modulated optical output rises above 90% of nominal.
3. From power on or negation of Tx Fault using Tx Disable.
4. Time from fault to Tx fault on.
5. Time Tx Disable must be held high to reset  $Tx\_fault$ .
6. Time from LOS state to Rx LOS assert.
7. Time from non-LOS state to RX LOS deassert. With RX input power less than  $-6\text{ dBm}$  and greater than  $-21\text{ dBm}$ .



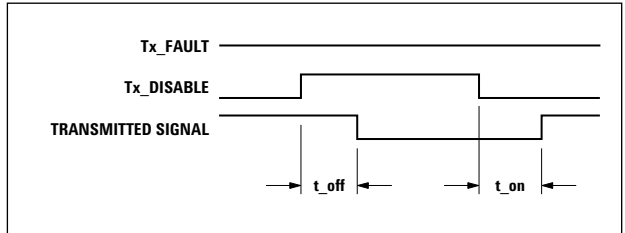
t-init: TX DISABLE NEGATED



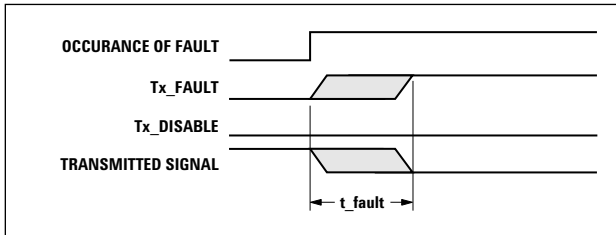
t-init: TX DISABLE ASSERTED



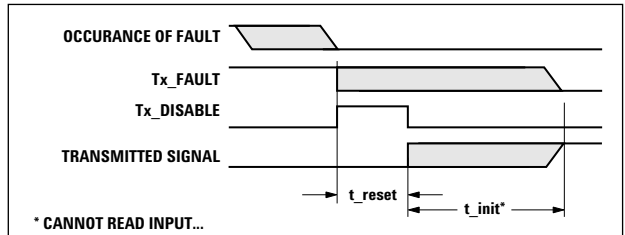
t-init: TX DISABLE NEGATED, MODULE HOT PLUGGED



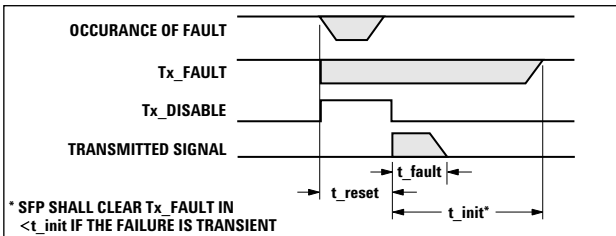
t-off & t-on: TX DISABLE ASSERTED THEN NEGATED



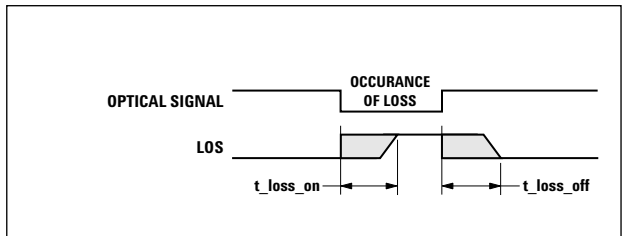
t-fault: TX FAULT ASSERTED, TX SIGNAL NOT RECOVERED



t-reset: TX DISABLE ASSERTED THEN NEGATED, TX SIGNAL RECOVERED



t-fault: TX DISABLE ASSERTED THEN NEGATED, TX SIGNAL NOT RECOVERED



t-loss-on & t-loss-off

Figure 5. Transceiver Timing Diagrams (Module installed except where noted).

## Regulatory Compliance

### Electrostatic Discharge

There are two conditions in which immunity to ESD damage is important. The first condition is during handling of the transceiver prior to insertion into the transceiver port. To protect the transceiver, it is important to use normal ESD handling precautions. The ESD sensitivity of the AFCT-5745Z is compatible with typical industry production environments. The second condition is static discharges to the exterior of the host equipment chassis after installation. To the extent that the duplex LC optical interface is exposed to the outside of the host equipment chassis, it may be subject to system-level ESD requirements. The ESD performance of the AFCT-5745Z exceeds typical industry standards.

### Immunity

Equipment hosting the AFCT-5745Z modules will be subjected to radio-frequency electro-magnetic fields in some environments. These transceivers have good immunity to such fields due to their shielded design.

### Eye Safety

These 1300 nm FP and DFB based transceivers provide Class 1 eye safety by design. Avago has tested the transceiver design for compliance with the requirements listed in Table 2 under normal operating conditions and under a single fault condition.

### Flammability

The AFCT-5745Z transceiver housing is made of metal and meets UL E173874 standard for flame retardancy.

### Electromagnetic Interference (EMI)

Most equipment designs utilizing these high-speed transceivers from Avago will be required to meet the requirements of FCC in the United States, CENELEC EN55022 (CISPR 22) in Europe and VCCI in Japan.

The metal housing and shielded design of the AFCT-5745Z minimize the EMI challenge facing the host equipment designer. These transceivers provide superior EMI performance. This greatly assists the designer in the management of the overall system EMI performance.

## Regulatory Compliance

Feature	Test Method	Performance
Electrostatic Discharge (ESD) to the Electrical Pins	MIL-STD-883C Method 3015.4	Class 2 (2000 Volts)
Electrostatic Discharge (ESD) to the Duplex LC Receptacle	Variation of IEC 61000-4-2 - Direct ESD (ie. front panel connector receptacle).	15 kV (air discharge) and 8 kV (contact). Transceiver shall perform properly during test.
	Variation of IEC 61000-4-2 - Indirect ESD (contact discharge to coupling plane)	15 kV (contact discharge applied to coupling plane). Transceiver shall perform properly during test with no data loss.
Electromagnetic Interference (EMI)	FCC Class BCENELEC EN55022 Class B (CISPR 22A)VCCI Class 1	
Immunity	Variation of IEC 61000-4-3	Typically show no measurable effect from a 10 V/m field swept from 80 to 1000 MHz applied to the transceiver without a chassis enclosure.
Eye Safety	US FDA CDRH AEL Class 1EN (IEC) 60825-1, 2,EN60950 Class 1	CDRH certification # 9521220-139TUV file # 933/21205741/11
Component Recognition	Underwriter's Laboratories and Canadian Standards Association Joint Component Recognition for Information Technology Equipment Including Electrical Business Equipment	UL file # E173874
RoHS Compliance		Reference to EU RoHS Directive 2002/95/EC

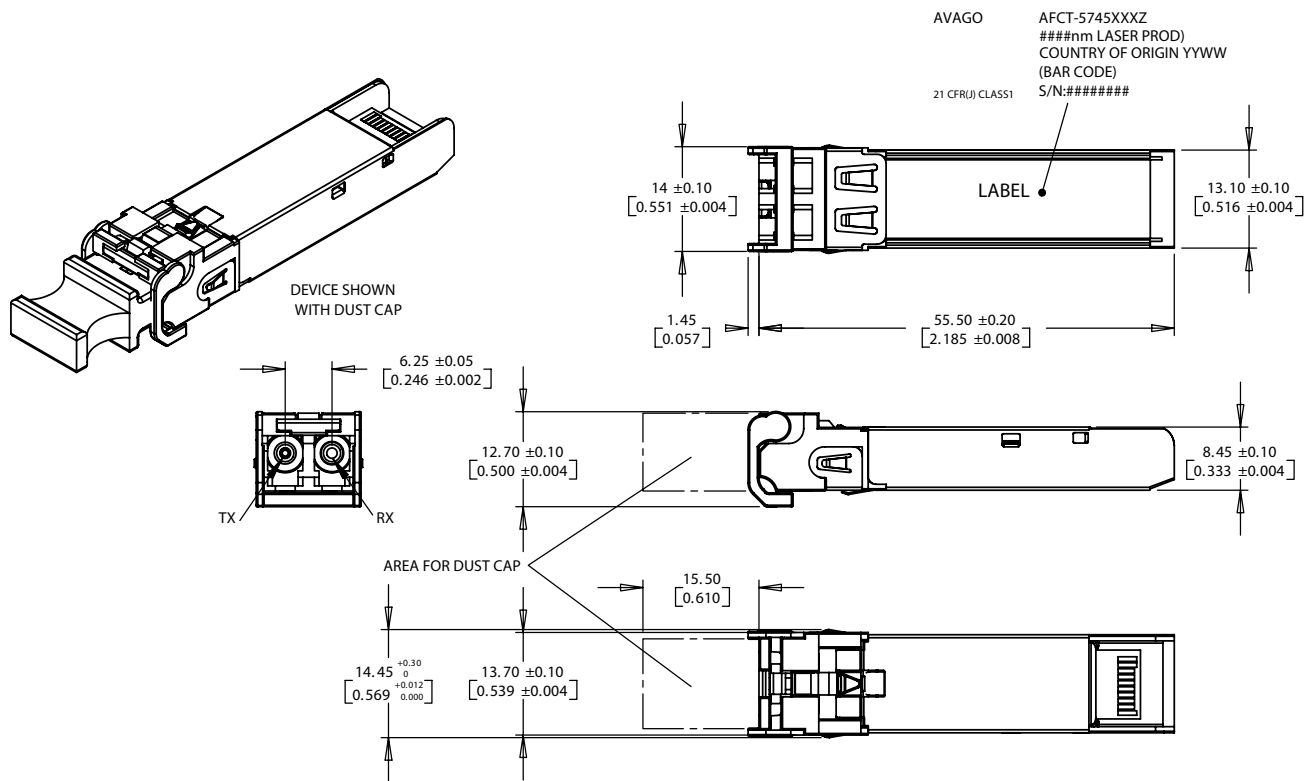


Figure 6. Module Drawing

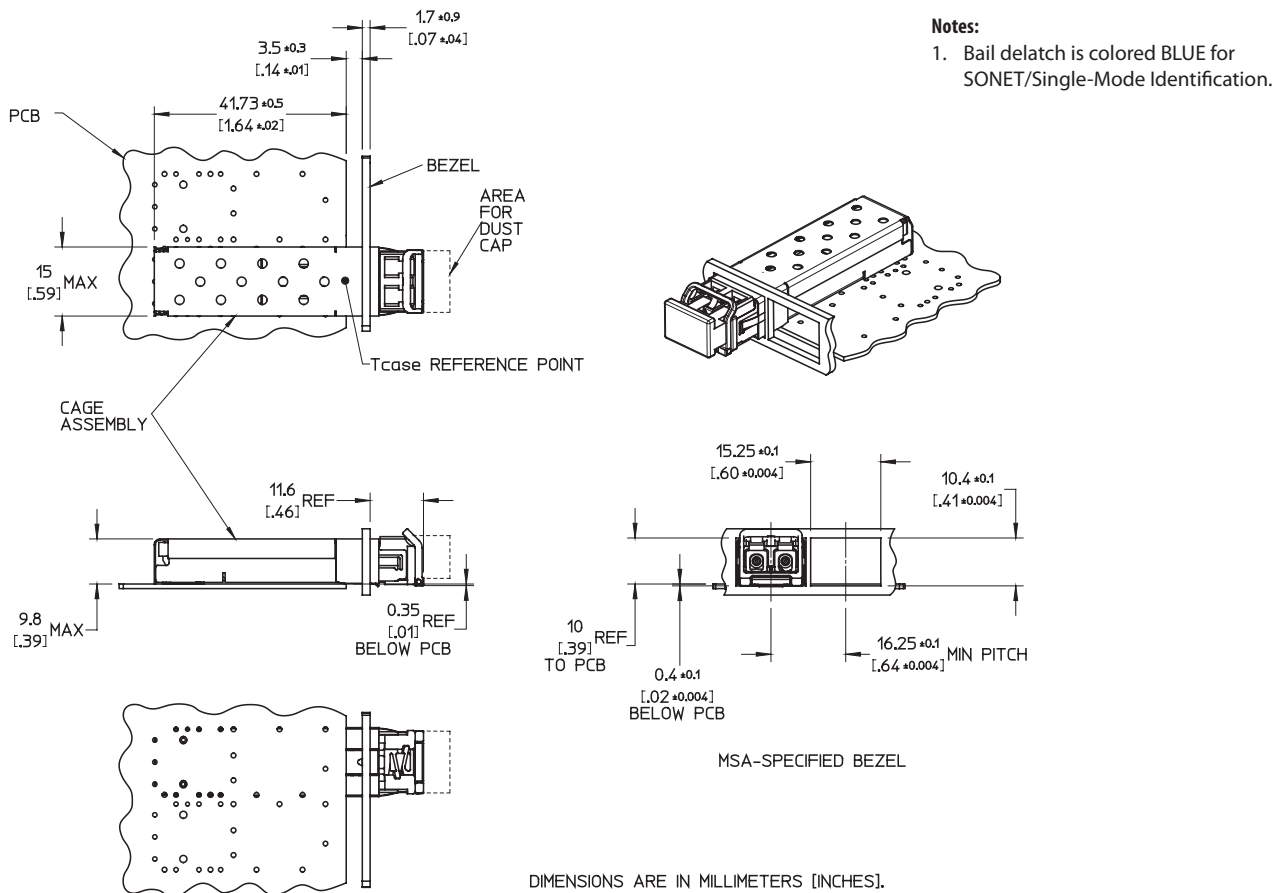
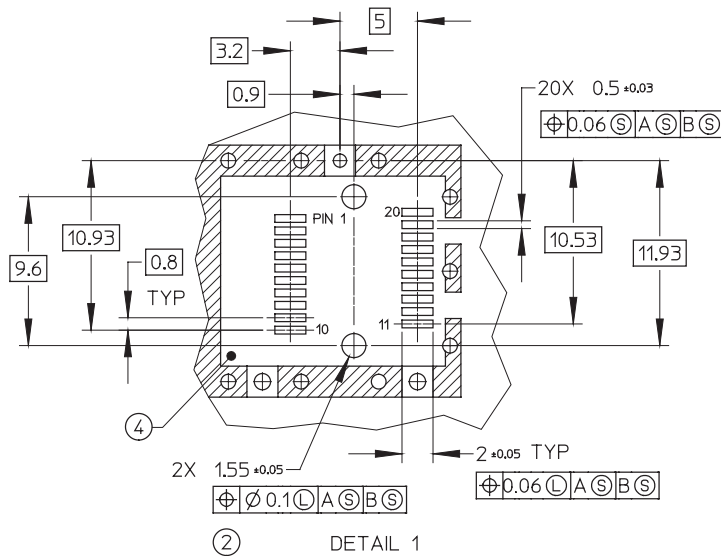
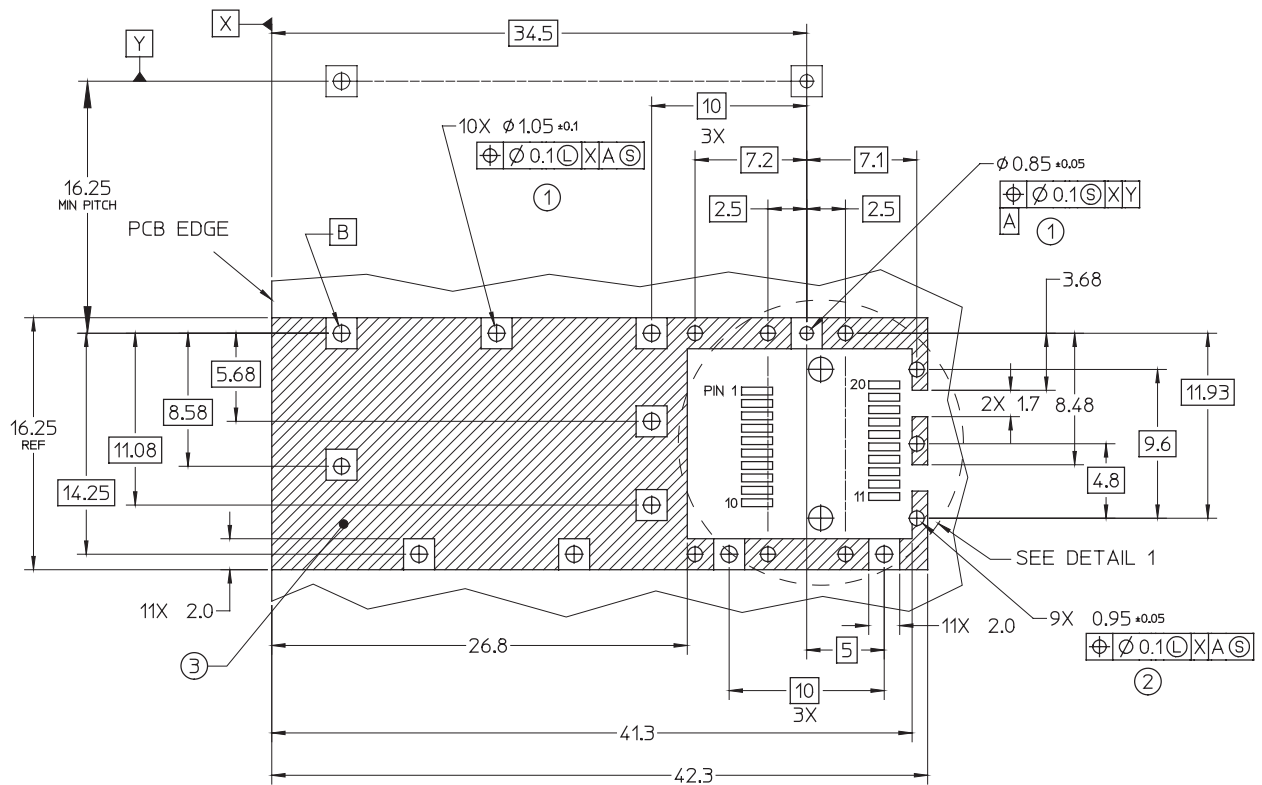


Figure 7. Assembly Drawing



NOTES:

PADS AND VIAS ARE CHASSIS GROUND.

- ① THROUGH HOLES, PLATING OPTIONAL.
- ② HATCHED AREA DENOTES COMPONENT AND TRACE KEEP-OUT (EXCEPT CHASSIS GROUND).
- ③ AREA DENOTES COMPONENT KEEP-OUT (TRACES ALLOWED).

DIMENSIONS ARE IN MILLIMETERS

Figure 8. SFP host board mechanical layout



## **Application Information**

The Applications Engineering Group at Avago is available to assist you with technical understanding and design trade-offs associated with these transceivers. You can contact them through your Avago sales representative.

The following information is provided to answer some of the most common questions about the use of parts.

### **Optical Power Budget**

The worst-case Optical Power Budget (OPB) in dB for a fiber-optic link is determined by the difference between the minimum transmitter output optical power (dBm avg) and the lowest receiversensitivity (dBm avg). This OPB provides the necessary optical signal range to establish a working fiber-optic link. The OPB is allocated for the fiber-optic cable length and the corresponding link penalties. For proper link performance, all penalties that affect the link performance must be accounted for within the link optical power budget.

### **Process Plug**

This transceiver is supplied with a process plug for protection of the optical port within the LC connector receptacle. This process plug prevents contamination during standard process handling, shipping and storage.

### **LC SFP Cleaning Recommendations**

In the event of contamination of the optical ports, the recommended cleaning process is the use of forced nitrogen. If contamination is thought to have remained, the optical ports can be cleaned using a NTT international Cletop stick type (diam. 1.25 mm) and HFE7100 cleaning fluid.

### **Customer Manufacturing Processes**

This module is pluggable and is not designed for aqueous wash, IR reflow or wave soldering processes.

## **Caution**

There are no user serviceable parts nor any maintenance required for the AFCT-5745Z. Tampering with or modifying the performance of the AFCT-5745Z will result in voided product warranty. It may also result in improper operation of the AFCT-5745Z circuitry, and possible over-stress of the laser source. Device degradation or product failure may result. Connection of the AFCT-5745Z to a non-approved optical source, operating above the recommended absolute maximum conditions or operating the AFCT-5745Z in a manner inconsistent with its design and function may result in hazardous radiation exposure and may be considered an act of modifying or manufacturing a laser product. The person(s) performing such an act are required by law to re-certify and re-identify the laser product under the provisions of U.S. 21 CFR (Subchapter J) and the TUV.

## Ordering Information

### 1310nm FP Laser

**Operating case temperature: -10 °C to +85 °C**

AFCT-5745PZ SR, Plastic Bail Delatch

**Operating case temperature: -40 °C to +85 °C**

AFCT-5745APZ SR, Plastic Bail Delatch

### 1310nm DFB Laser

**Operating case temperature: -10 °C to +85 °C**

AFCT-5745TPZ IR, Plastic Bail Delatch

**Operating case temperature: -40 °C to +85 °C**

AFCT-5745ATPZ IR, Plastic Bail Delatch

### EEPROM Content and / or Label Options

AFCT-5745PZ-YYY SR, Plastic Bail Delatch, -10°C to +85°C

AFCT-5745APZ-YYY SR, Plastic Bail Delatch, -40°C to +85°C

AFCT-5745TPZ-YYY IR, Plastic Bail Delatch, -10°C to +85°C

AFCT-5745ATPZ-YYY IR, Plastic Bail Delatch, -40°C to +85°C

Where "YYY" is Customer specific

**Class 1 Laser Product:** This product conforms to the applicable requirements of 21 CFR 1040 at the date of manufacture  
Date of Manufacture:  
Avago Technologies Inc., No 1 Yishun Ave 7, Singapore

## Handling Precautions

1. The AFCT-5745Z can be damaged by current surges or overvoltage. Power supply transient precautions should be taken.
2. Normal handling precautions for electrostatic sensitive devices should be taken.

For product information and a complete list of distributors, please go to our web site: [www.avagotech.com](http://www.avagotech.com)

Avago, Avago Technologies, and the A logo are trademarks of Avago Technologies, Limited in the United States and other countries. Data subject to change. Copyright © 2008 Avago Technologies Limited. All rights reserved. Obsoletes AV01-0448EN AV02-0074EN - February 13, 2008

**AVAGO**  
TECHNOLOGIES