



FEATURES:

- RoHS Compliant
- SMD Package
- Low ripple and noise
- High efficiency up to 68%
- Operating temperature -40°C to + 85°C
- Input/Output Isolation 1000 and 3000VDC
- Pin compatible with multiple manufacturers
- UL94-VO Package

Models

Single output

Model	Input Voltage (V)	Output Voltage (V)	Output Current max (mA)	Isolation (VDC)	Efficiency (%)
AM1/4L-0303S-NZ	3-3.6	3.3	75	1000	60
AM1/4L-0305S-NZ	3-3.6	5	50	1000	60
AM1/4L-0309S-NZ	3-3.6	9	27	1000	62
AM1/4L-0312S-NZ	3-3.6	12	20	1000	63
AM1/4L-0315S-NZ	3-3.6	15	16	1000	64
AM1/4L-0324S-NZ	3-3.6	24	10	1000	64
AM1/4L-0503S-NZ	4.5-5.5	3.3	75	1000	61
AM1/4L-0505S-NZ	4.5-5.5	5	50	1000	64
AM1/4L-0509S-NZ	4.5-5.5	9	27	1000	65
AM1/4L-0512S-NZ	4.5-5.5	12	20	1000	66
AM1/4L-0515S-NZ	4.5-5.5	15	16	1000	67
AM1/4L-0524S-NZ	4.5-5.5	24	10	1000	64
AM1/4L-1203S-NZ	10.8-13.2	3.3	75	1000	60
AM1/4L-1205S-NZ	10.8-13.2	5	50	1000	65
AM1/4L-1209S-NZ	10.8-13.2	9	27	1000	66
AM1/4L-1212S-NZ	10.8-13.2	12	20	1000	66
AM1/4L-1215S-NZ	10.8-13.2	15	16	1000	68
AM1/4L-1224S-NZ	10.8-13.2	24	10	1000	64
AM1/4L-2403S-NZ	21.6-26.4	3.3	75	1000	60
AM1/4L-2405S-NZ	21.6-26.4	5	50	1000	60
AM1/4L-2409S-NZ	21.6-26.4	9	27	1000	63
AM1/4L-2412S-NZ	21.6-26.4	12	20	1000	64
AM1/4L-2415S-NZ	21.6-26.4	15	16	1000	63
AM1/4L-2424S-NZ	21.6-26.4	24	10	1000	64
AM1/4L-0505SH30-NZ	4.5-5.5	5	50	3000	64
AM1/4L-0509SH30-NZ	4.5-5.5	9	27	3000	65
AM1/4L-0512SH30-NZ	4.5-5.5	12	20	3000	65
AM1/4L-0515SH30-NZ	4.5-5.5	15	16	3000	66
AM1/4L-1205SH30-NZ	10.8-13.2	5	50	3000	66
AM1/4L-1209SH30-NZ	10.8-13.2	9	27	3000	67
AM1/4L-1212SH30-NZ	10.8-13.2	12	20	3000	67
AM1/4L-1215SH30-NZ	10.8-13.2	15	16	3000	67

Models

Dual output

Model	Input Voltage (V)	Output Voltage (V)	Output Current max (mA)	Isolation (VDC)	Efficiency (%)
AM1/4L-0505D-NZ	4.5-5.5	±5	±25	1000	63
AM1/4L-0509D-NZ	4.5-5.5	±9	±14	1000	65
AM1/4L-0512D-NZ	4.5-5.5	±12	±11	1000	65
AM1/4L-0515D-NZ	4.5-5.5	±15	±9	1000	67
AM1/4L-0524D-NZ	4.5-5.5	±24	±5	1000	64
AM1/4L-1205D-NZ	10.8-13.2	±5	±25	1000	66
AM1/4L-1209D-NZ	10.8-13.2	±9	±14	1000	67
AM1/4L-1212D-NZ	10.8-13.2	±12	±11	1000	67
AM1/4L-1215D-NZ	10.8-13.2	±15	±9	1000	67

Models

Dual output (continued)

Model	Input Voltage (V)	Output Voltage (V)	Output Current max (mA)	Isolation (VDC)	Efficiency (%)
AM1/4L-1224D-NZ	10.8-13.2	±24	±5	1000	65
AM1/4L-2405D-NZ	21.6-26.4	±5	±25	1000	62
AM1/4L-2409D-NZ	21.6-26.4	±9	±14	1000	65
AM1/4L-2412D-NZ	21.6-26.4	±12	±11	1000	68
AM1/4L-2415D-NZ	21.6-26.4	±15	±9	1000	67
AM1/4L-2424D-NZ	21.6-26.4	±24	±5	1000	64
AM1/4L-0505DH30-NZ	4.5-5.5	±5	±25	3000	64
AM1/4L-0509DH30-NZ	4.5-5.5	±9	±14	3000	65
AM1/4L-0512DH30-NZ	4.5-5.5	±12	±11	3000	65
AM1/4L-0515DH30-NZ	4.5-5.5	±15	±9	3000	66
AM1/4L-1205DH30-NZ	10.8-13.2	±5	±25	3000	66
AM1/4L-1209DH30-NZ	10.8-13.2	±9	±14	3000	67
AM1/4L-1212DH30-NZ	10.8-13.2	±12	±11	3000	67
AM1/4L-1215DH30-NZ	10.8-13.2	±15	±9	3000	67

Input Specifications

Parameters	Conditions	Typical	Maximum	Units
Voltage range		3-3.6 4.5-5.5 10.8-13.2 21.6-26.4		VDC
Filter	Capacitor			

Isolation Specifications

Parameters	Conditions	Typical	Maximum	Units
Rated voltage	60 sec	1000 & 3000		VDC
Resistance		> 1000		MOhm
Capacitance		60		pF

Output Specifications

Parameters	Conditions	Typical	Maximum	Units
Voltage accuracy	See the tolerance graph		±5	%
Voltage balance	Dual Output	±2		%
Line voltage regulation (Single)	For 1% change of Vin		±1.2	%
Line voltage regulation (Dual)	For 1% change of Vin		±1.2	%
Load voltage regulation (Single)	Load 10 – 100%	10		%
Load voltage regulation (Dual)	Load 10 – 100%	10		%
Temperature coefficient			±0.03	%/°C
Ripple & Noise	At 20MHz Bandwidth		75	mV p-p

General Specifications

Parameters	Conditions	Typical	Maximum	Units
Switching frequency	100% load single	100		KHz
	100% load dual	150		KHz
Short circuit protection	1sec			
Operating temperature	Without derating	-40 to +85		°C
Storage temperature		-55 to +125		°C
Cooling	Free air convection			
Humidity	Non condensing		95	%
Case material		Plastic UL94-VO		
Weight		1.5		g

General Specifications (continued)

Parameters	Conditions	Typical	Maximum	Units
Dimensions	Single 1000VDC		12.7 x 11.2 x 6.7 mm	
	Dual 1000VDC		15.24 x 11.2 x 6.7 mm	
	Single and Dual 3000 VDC		15.24 x 11.2 x 6.7 mm	
MTBF	>3 500 000hrs (MIL-HDBK -217F, Ground Benign, t=+25°C)			
Case Temperature			95	°C

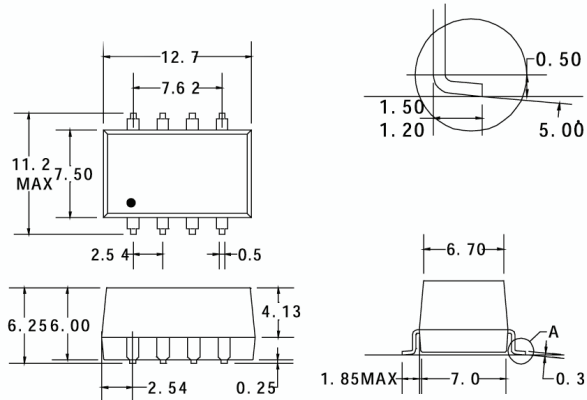
**Pin Out Specifications
Single and Dual 1000VDC**

Pin	Single	Pin	Dual
1	- V Input	1	- V Input
2	+ V Input	2	+ V Input
3	N.C.	3	N.C.
4	- V Output	4	Common
5	+ V Output	5	- V Output
6	N.C.	6	N.C.
7	N.C.	7	+ V Output
8	N.C.	8	N.C.
		9	N.C.
		10	N.C.

**Pin Out Specifications
Single and Dual 3000VDC**

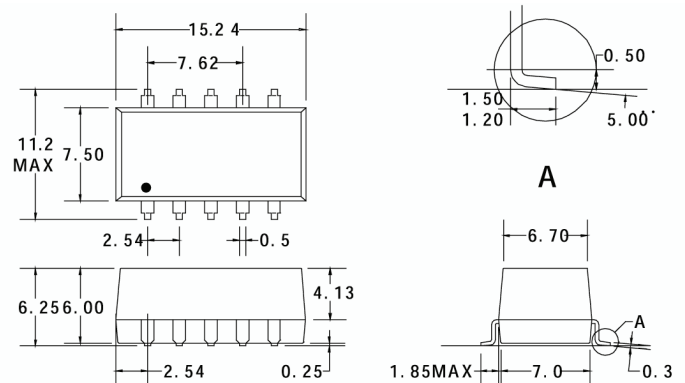
Pin	Single	Dual
1	- V Input	- V Input
2	+ V Input	+ V Input
3	N.C.	N.C.
5	-V Output	Common
6	N.C.	-V Output
7	N.C.	N.C.
8	+V Output	+V Output
10	N.C.	N.C.
11	N.C.	N.C.
12	N.C.	N.C.

Dimensions Single 1000VDC



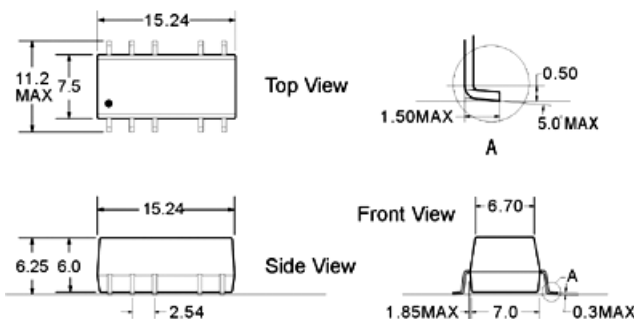
All dimensions in mm. All pins on a 2.54 mm pitch. Tolerance: ±0.25mm

Dimensions Dual 1000VDC



All dimensions in mm. All pins on a 2.54mm pitch. Tolerance: ±0.25mm

Dimensions single and dual 3000VDC



Typical characteristics

