

Features

- Operating voltage: 2.7V~5.2V
- External Crystal 32.768kHz oscillator
- 1/4 bias, 1/8 duty, frame frequency is 64Hz
- Max. 32×8 patterns, 8 commons, 32 segments
- Built-in internal resistor type bias generator
- 3-wire serial interface
- 8 kinds of time base/WDT selection
- Time base or WDT overflow output
- Built-in LCD display RAM
- R/W address auto increment
- Two selectable buzzer frequencies (2kHz/4kHz)
- Power down command reduces power consumption
- Software configuration feature
- Data mode and Command mode instructions
- Three data accessing modes
- VLCD pin to adjust LCD operating voltage
- Cascade application

General Description

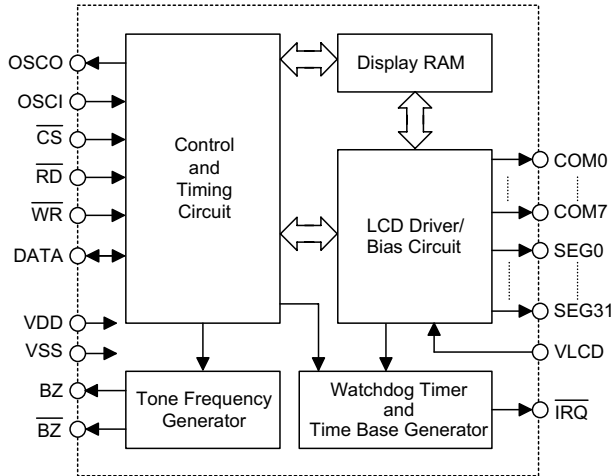
HT16220 is a peripheral device specially designed for I/O type μC used to expand the display capability. The max. display segment of the device are 256 patterns (32×8). It also supports serial interface, buzzer sound, watchdog timer or time base timer functions. The HT16220 is a memory mapping and multi-function LCD controller. The software

configuration feature of the HT16220 make it suitable for multiple LCD applications including LCD modules and display subsystems. Only three lines are required for the interface between the host controller and the HT16220. The HT162X series have many kinds of products that match various applications.

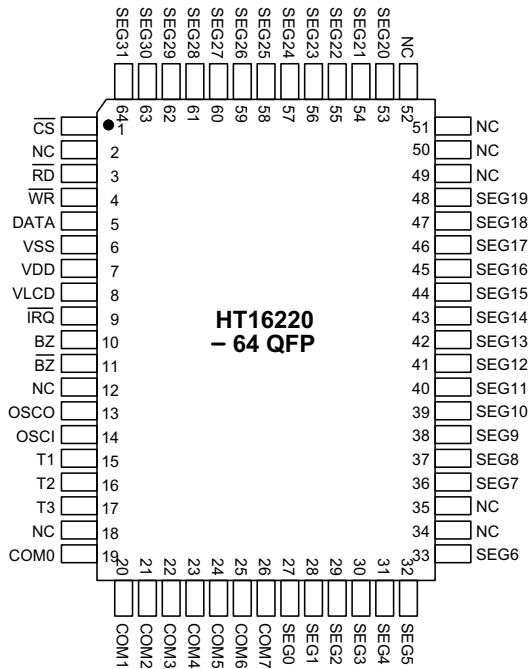
Selection Table

| HT162X | HT1620 | HT1621 | HT1622 | HT16220 | HT1623 | HT1625 | HT1626 |
|----------------------|--------|--------|--------|-----------|--------|--------|--------|
| COM | 4 | 4 | 8 | 8 | 8 | 8 | 16 |
| SEG | 32 | 32 | 32 | 32 | 48 | 64 | 48 |
| Built-in Osc. | | √ | √ | | √ | √ | √ |
| Crystal Osc. | √ | √ | | √ | √ | √ | √ |

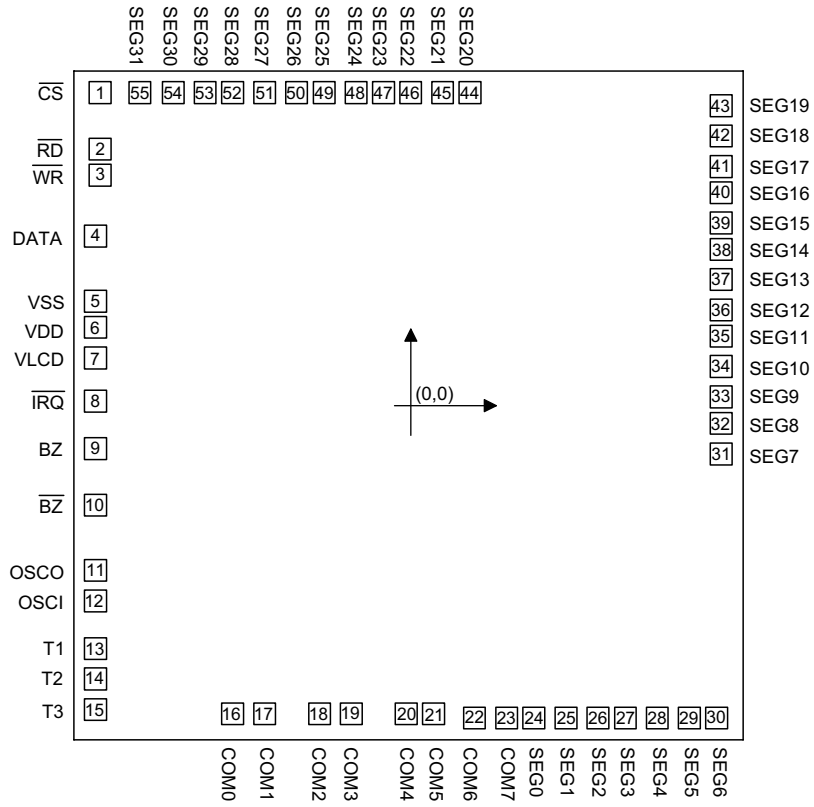
Block Diagram



Pin Assignment



Pad Assignment



Chip size: $151 \times 157 \text{ (mil)}^2$

* The IC substrate should be connected to VDD in the PCB layout artwork.

Pad Coordinates

Unit: mil

| Pad No. | X | Y | Pad No. | X | Y |
|----------------|----------|----------|----------------|----------|----------|
| 1 | -68.76 | 72.04 | 29 | 61.07 | -72.33 |
| 2 | -68.76 | 59.71 | 30 | 67.70 | -72.33 |
| 3 | -68.76 | 53.08 | 31 | 68.98 | -10.41 |
| 4 | -69.53 | 39.40 | 32 | 68.98 | -3.78 |
| 5 | -69.70 | 24.82 | 33 | 68.98 | 2.85 |
| 6 | -69.70 | 18.19 | 34 | 68.98 | 9.48 |
| 7 | -69.70 | 11.56 | 35 | 68.98 | 16.11 |
| 8 | -69.70 | 1.36 | 36 | 68.98 | 22.74 |
| 9 | -69.70 | -10.28 | 37 | 68.98 | 29.37 |
| 10 | -69.70 | -23.55 | 38 | 68.98 | 36.00 |
| 11 | -69.70 | -38.93 | 39 | 68.98 | 42.63 |
| 12 | -69.70 | -45.56 | 40 | 68.98 | 49.26 |
| 13 | -69.70 | -56.53 | 41 | 68.98 | 55.89 |
| 14 | -69.70 | -63.83 | 42 | 68.98 | 62.52 |
| 15 | -69.70 | -70.46 | 43 | 68.98 | 69.15 |
| 16 | -39.57 | -71.57 | 44 | 13.85 | 72.04 |
| 17 | -32.94 | -71.57 | 45 | 7.22 | 72.04 |
| 18 | -20.53 | -71.57 | 46 | 0.60 | 72.04 |
| 19 | -13.90 | -71.57 | 47 | -6.03 | 72.04 |
| 20 | -1.49 | -71.57 | 48 | -12.66 | 72.04 |
| 21 | 5.14 | -71.57 | 49 | -19.30 | 72.04 |
| 22 | 14.66 | -72.33 | 50 | -25.92 | 72.04 |
| 23 | 21.29 | -72.33 | 51 | -32.56 | 72.04 |
| 24 | 27.92 | -72.33 | 52 | -39.19 | 72.04 |
| 25 | 34.55 | -72.33 | 53 | -45.81 | 72.04 |
| 26 | 41.18 | -72.33 | 54 | -52.44 | 72.04 |
| 27 | 47.81 | -72.33 | 55 | -59.08 | 72.04 |
| 28 | 54.44 | -72.33 | | | |

Pad Description

| Pad No. | Pad Name | I/O | Description |
|---------|---------------------|-----|---|
| 1 | \overline{CS} | I | Chip selection input with pull-high resistor. When the \overline{CS} is logic high, the data and command read from or written to the HT16220 are disabled. The serial interface circuit is also reset. But if the \overline{CS} is at logic low level and is input to the \overline{CS} pad, the data and command transmission between the host controller and the HT16220 are all enabled. |
| 2 | \overline{RD} | I | READ clock input with pull-high resistor. Data in the RAM of the HT16220 are clocked out on the rising edge of the \overline{RD} signal. The clocked out data will appear on the data line. The host controller can use the next falling edge to latch the clocked out data. |
| 3 | \overline{WR} | I | WRITE clock input with pull-high resistor. Data on the DATA line are latched into the HT16220 on the rising edge of the \overline{WR} signal. |
| 4 | DATA | I/O | Serial data input/output with pull-high resistor |
| 5 | VSS | — | Negative power supply, ground |
| 6 | VDD | — | Positive power supply |
| 7 | VLCD | I | LCD operating voltage input pad. |
| 8 | \overline{IRQ} | O | Time base or watchdog timer overflow flag, NMOS open drain output. |
| 9, 10 | BZ, \overline{BZ} | O | 2kHz or 4kHz tone frequency output pair |
| 11 | OSCO | O | Crystal oscillator output pin |
| 12 | OSCI | I | Crystal oscillator input pin |
| 13~15 | T1~T3 | I | Not connected |
| 16~23 | COM0~COM7 | O | LCD common outputs |
| 24~55 | SEG0~SEG31 | O | LCD segment outputs |

Absolute Maximum Ratings

Supply Voltage-0.3V to 5.5V Storage Temperature-50°C to 125°C
 Input Voltage $V_{SS}-0.3V$ to $V_{DD}+0.3V$ Operating Temperature-25°C to 75°C

Note: These are stress ratings only. Stresses exceeding the range specified under "Absolute Maximum Ratings" may cause substantial damage to the device. Functional operation of this device at other conditions beyond those listed in the specification is not implied and prolonged exposure to extreme conditions may affect device reliability.

D.C. Characteristics
 $T_a=25^{\circ}\text{C}$

| Symbol | Parameter | Test Conditions | | Min. | Typ. | Max. | Unit |
|------------------|--|-----------------|--|------|------|------|------|
| | | V _{DD} | Conditions | | | | |
| V _{DD} | Operating Voltage | — | — | 2.7 | — | 5.2 | V |
| I _{DD1} | Operating Current | 3V | No load LCD ON | — | — | 50 | μA |
| | | 5V | Crystal oscillator | — | — | 65 | μA |
| I _{DD2} | Operating Current | 3V | No load/LCD OFF | — | — | 20 | μA |
| | | 5V | Crystal oscillator | — | — | 30 | μA |
| I _{STB} | Standby Current | 3V | No load | — | 1 | 8 | μA |
| | | 5V | Power down mode | — | 2 | 16 | μA |
| V _{IL} | Input Low Voltage | 3V | DATA, $\overline{\text{WR}}$, $\overline{\text{CS}}$, $\overline{\text{RD}}$ | 0 | — | 0.6 | V |
| | | 5V | | 0 | — | 1.0 | V |
| V _{IH} | Input High Voltage | 3V | DATA, $\overline{\text{WR}}$, $\overline{\text{CS}}$, $\overline{\text{RD}}$ | 2.4 | — | 3 | V |
| | | 5V | | 4.0 | — | 5 | V |
| I _{OL1} | BZ, $\overline{\text{BZ}}$, $\overline{\text{IRQ}}$ | 3V | V _{OL} =0.3V | 0.9 | 1.8 | — | mA |
| | | 5V | V _{OL} =0.5V | 1.7 | 3 | — | mA |
| I _{OH1} | BZ, $\overline{\text{BZ}}$ | 3V | V _{OH} =2.7V | -0.9 | -1.8 | — | mA |
| | | 5V | V _{OH} =4.5V | -1.7 | -3 | — | mA |
| I _{OL1} | DATA | 3V | V _{OL} =0.3V | 200 | 450 | — | μA |
| | | 5V | V _{OL} =0.5V | 250 | 500 | — | μA |
| I _{OH1} | DATA | 3V | V _{OH} =2.7V | -200 | -450 | — | μA |
| | | 5V | V _{OH} =4.5V | -250 | -500 | — | μA |
| I _{OL2} | LCD Common Sink Current | 3V | V _{OL} =0.3V | 15 | 40 | — | μA |
| | | 5V | V _{OL} =0.5V | 100 | 200 | — | μA |
| I _{OH2} | LCD Common Source Current | 3V | V _{OH} =2.7V | -15 | -30 | — | μA |
| | | 5V | V _{OH} =4.5V | -45 | -90 | — | μA |
| I _{OL3} | LCD Segment Sink Current | 3V | V _{OL} =0.3V | 15 | 30 | — | μA |
| | | 5V | V _{OL} =0.5V | 70 | 150 | — | μA |
| I _{OH3} | LCD Segment Source Current | 3V | V _{OH} =2.7V | -6 | -13 | — | μA |
| | | 5V | V _{OH} =4.5V | -20 | -40 | — | μA |
| R _{PH} | Pull-high Resistor | 3V | DATA, $\overline{\text{WR}}$, $\overline{\text{CS}}$, $\overline{\text{RD}}$ | 100 | 200 | 300 | kΩ |
| | | 5V | | 50 | 100 | 150 | kΩ |

A.C. Characteristics

Ta=25°C

| Symbol | Parameter | Test Conditions | | Min. | Typ. | Max. | Unit |
|---------------------------------|---|-----------------|------------------------|------|--------------------|------|---------------|
| | | V _{DD} | Conditions | | | | |
| f _{SYS} | System Clock | 3V | Crystal oscillator | — | 32 | — | kHz |
| | | 5V | | — | 32 | — | kHz |
| f _{LCD} | LCD Frame Frequency | 3V | Crystal oscillator | — | 64 | — | Hz |
| | | 5V | | — | 64 | — | Hz |
| t _{COM} | LCD Common Period | — | n: Number of COM | — | n/f _{LCD} | — | sec |
| f _{CLK1} | Serial Data Clock ($\overline{\text{WR}}$ Pin) | 3V | Duty cycle 50% | — | — | 150 | kHz |
| | | 5V | | — | — | 300 | kHz |
| f _{CLK2} | Serial Data Clock ($\overline{\text{RD}}$ Pin) | 3V | Duty cycle 50% | — | — | 75 | kHz |
| | | 5V | | — | — | 150 | kHz |
| t _{CS} | Serial Interface Reset Pulse Width (Figure 3) | — | $\overline{\text{CS}}$ | — | 250 | — | ns |
| t _{CLK} | $\overline{\text{WR}}$, $\overline{\text{RD}}$ Input Pulse Width (Figure 1) | 3V | Write mode | 3.34 | — | — | μs |
| | | | Read mode | 6.67 | — | — | |
| | | 5V | Write mode | 1.67 | — | — | μs |
| | | | Read mode | 3.34 | — | — | |
| t _r , t _f | Rise/Fall Time Serial Data Clock (Figure 1) | 3V | — | — | 120 | — | ns |
| | | 5V | — | — | 120 | — | |
| t _{SU} | Setup Time for DATA to $\overline{\text{WR}}$, $\overline{\text{RD}}$ Serial Data Clock (Figure 2) | 3V | — | — | 120 | — | ns |
| | | 5V | — | — | 120 | — | |
| t _h | Hold Time for DATA to $\overline{\text{WR}}$, $\overline{\text{RD}}$ Serial Data Clock (Figure 2) | 3V | — | — | 120 | — | ns |
| | | 5V | — | — | 120 | — | |
| t _{SU1} | Setup Time for $\overline{\text{CS}}$ to $\overline{\text{WR}}$, $\overline{\text{RD}}$ Clock Width (Figure 3) | 3V | — | — | 100 | — | ns |
| | | 5V | — | — | 100 | — | |
| t _{h1} | Hold Time for $\overline{\text{CS}}$ to $\overline{\text{WR}}$, $\overline{\text{RD}}$ Clock Width (Figure 3) | 3V | — | — | 100 | — | ns |
| | | 5V | — | — | 100 | — | |

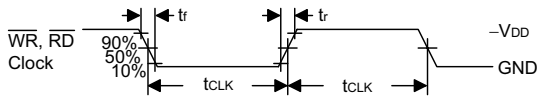


Figure 1

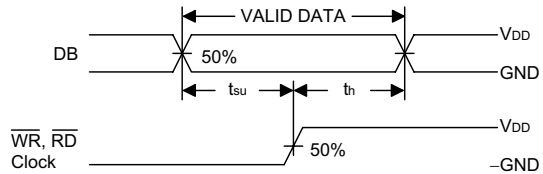


Figure 2

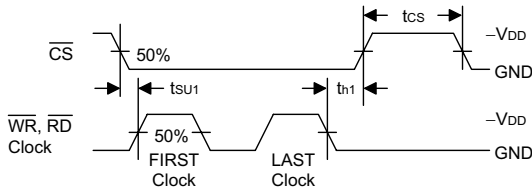


Figure 3

Functional Description

Display memory – RAM structure

The static display RAM is organized into 64x4 bits and stores the display data. The contents of the RAM are directly mapped to the contents of the LCD driver. Data in the RAM can be accessed by the READ, WRITE and READ-MODIFY-WRITE commands. The following is a mapping from the RAM to the LCD patterns.

Time base and watchdog timer – WDT

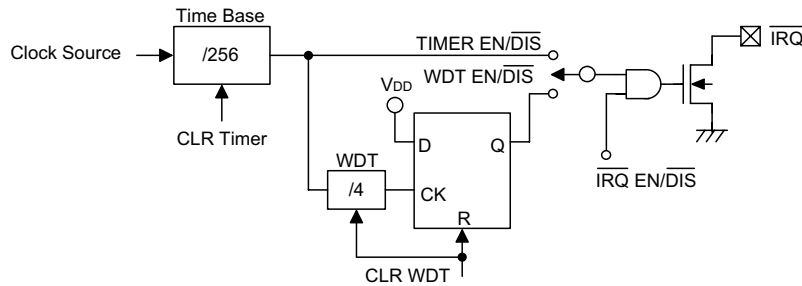
The time base generator and WDT share the same divided (/256) counter. TIMER DIS/EN/CLR, WDT DIS/EN/CLR and $\overline{\text{IRQ}}$ EN/DIS are independent from each other. Once the WDT time-out occurs, the $\overline{\text{IRQ}}$ pin will stay at a logic low level until the CLR WDT or the $\overline{\text{IRQ}}$ DIS command is issued.

| | COM7 | COM6 | COM5 | COM4 | COM3 | COM2 | COM1 | COM0 | | |
|-------|------|------|------|------|--------------|------|------|------|-----|--------------|
| SEG0 | | | | 1 | | | | | 0 | |
| SEG1 | | | | 3 | | | | | 2 | |
| SEG2 | | | | 5 | | | | | 4 | |
| SEG3 | | | | 7 | | | | | 6 | |
| ... | | | | ... | | | | | ... | |
| SEG31 | | | | 63 | | | | | 62 | |
| | D3 | D2 | D1 | D0 | Addr Data | D3 | D2 | D1 | D0 | Addr Data |

Address 6 Bits
(A5, A4, ..., A0)

Data 4 Bits
(D3, D2, D1, D0)

RAM mapping



Timer and WDT configurations

If an external clock is selected as the source of system frequency, the SYS DIS command turns out invalid and the power down mode fails to be carried out until the external clock source is removed.

Buzzer tone output

A simple tone generator is implemented in the HT16220. The tone generator can output a pair of differential driving signals on the BZ and \overline{BZ} which are used to generate a single tone.

Command format

The HT16220 can be configured by the software setting. There are two mode commands to configure the HT16220 resource and to transfer the LCD display data.

The following are the data mode ID and the command mode ID:

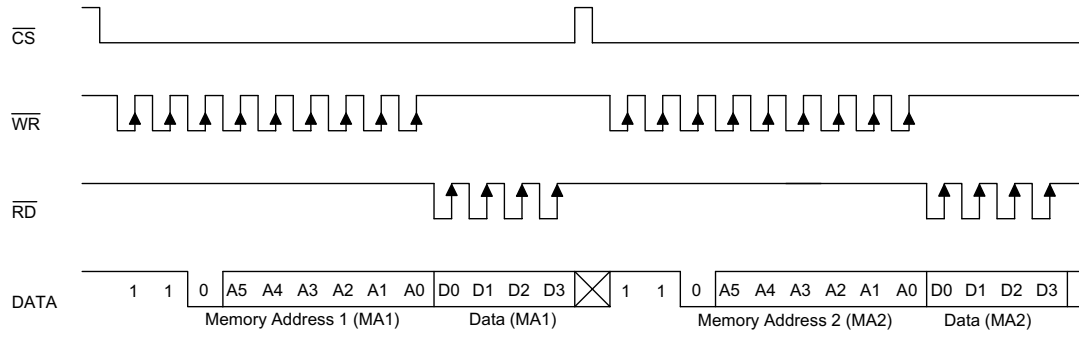
| Operation | Mode | ID |
|-------------------|---------|-------|
| READ | Data | 1 1 0 |
| WRITE | Data | 1 0 1 |
| READ-MODIFY-WRITE | Data | 1 0 1 |
| COMMAND | Command | 1 0 0 |

If successive commands have been issued, the command mode ID can be omitted. While the system is operating in the non-successive command or the non-successive address data mode, the \overline{CS} pin should be set to "1" and the previous operation mode will be reset also. The \overline{CS} pin returns to "0", a new operation mode ID should be issued first.

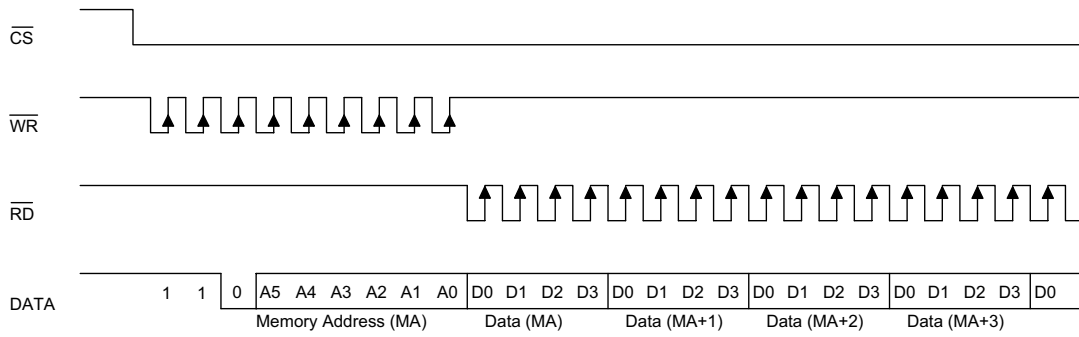
| Name | Command Code | Function |
|----------|--------------|---|
| TONE OFF | 0000-1000-X | Turn-off tone output |
| TONE 4K | 010X-XXXX-X | Turn-on tone output, tone frequency is 4kHz |
| TONE 2K | 0110-XXXX-X | Turn-on tone output, tone frequency is 2kHz |

Timing Diagrams

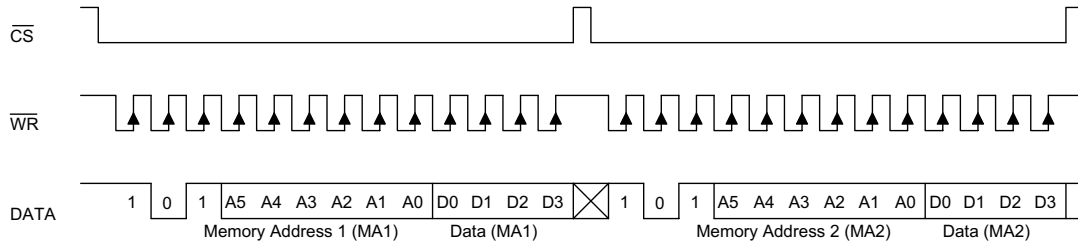
READ mode (command code : 1 1 0)



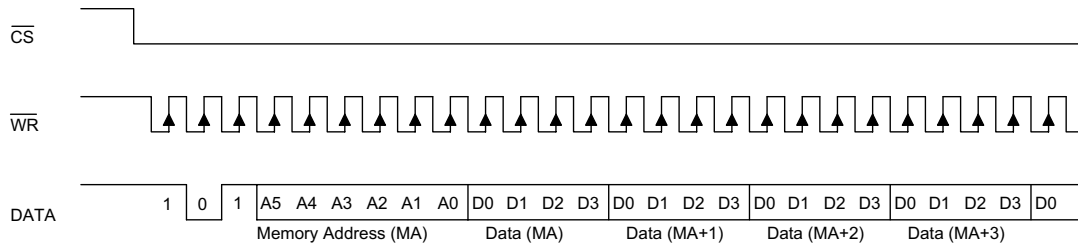
READ mode (successive address reading)



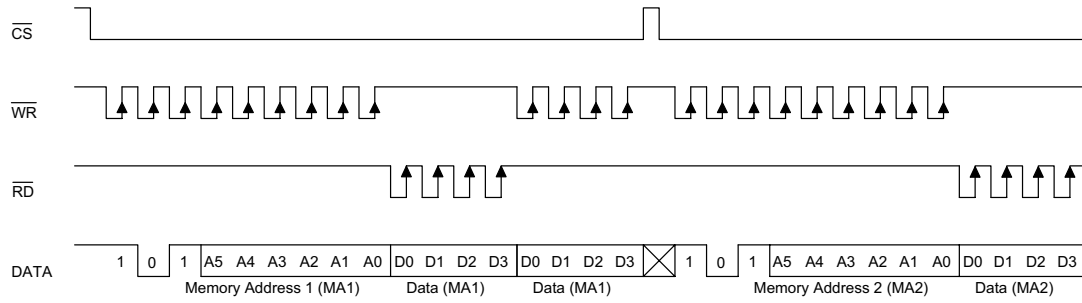
WRITE mode (command code : 1 0 1)



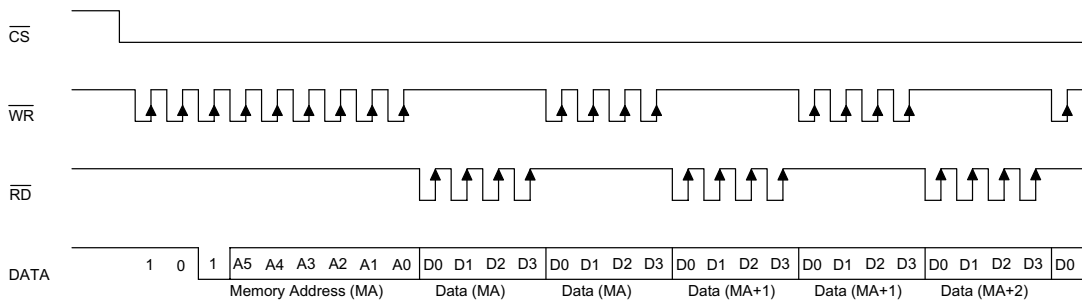
WRITE mode (successive address writing)



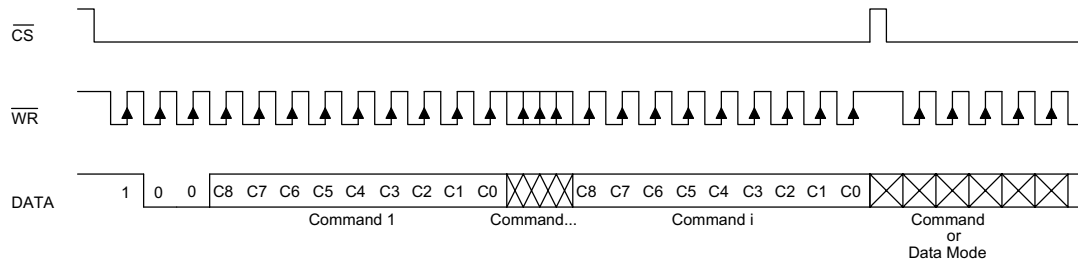
READ-MODIFY-WRITE mode (command code : 1 0 1)



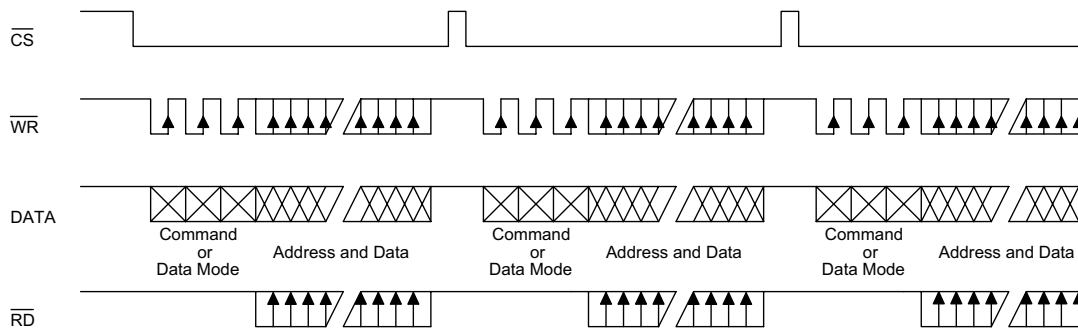
READ-MODIFY-WRITE mode (successive address accessing)



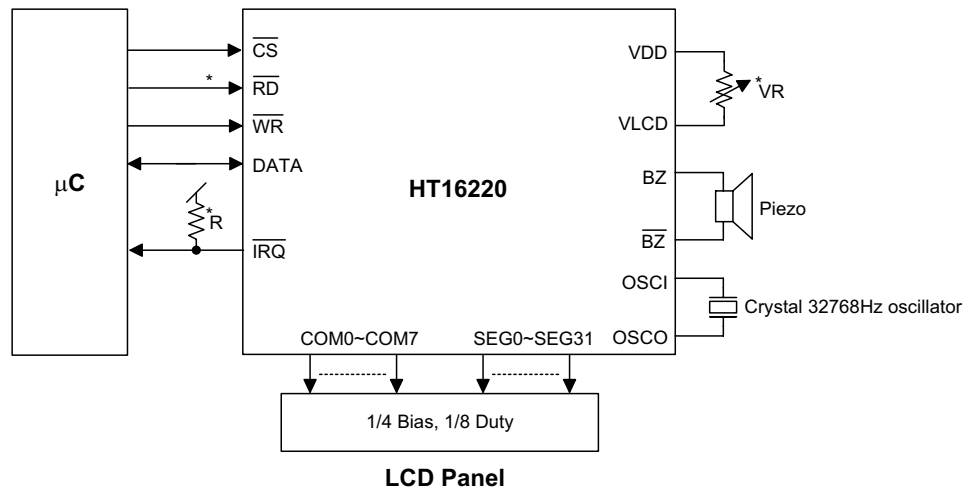
Command mode (command code : 1 0 0)



Mode (data and command mode)



Application Circuits



Note: The connection of \overline{IRQ} and \overline{RD} pin can be selected depending on the requirement of the μC .
 The voltage applied to V_{LCD} pin must be lower than V_{DD} .
 Adjust VR to fit LCD display, at $V_{DD}=5V$, $V_{LCD}=4V$, $VR=15k\Omega \pm 20\%$.
 Adjust R (external pull-high resistance) to fit user's time base clock.

Command Summary

| Name | ID | Command Code | D/C | Function | Def. |
|-----------------------------|-------|----------------------|-----|--|------|
| READ | 1 1 0 | A5A4A3A2A1A0D0D1D2D3 | D | Read data from the RAM | |
| WRITE | 1 0 1 | A5A4A3A2A1A0D0D1D2D3 | D | Write data to the RAM | |
| READ-MODIFY-WRITE | 1 0 1 | A5A4A3A2A1A0D0D1D2D3 | D | Read and Write data to the RAM | |
| SYS DIS | 1 0 0 | 0000-0000-X | C | Turn off both system oscillator and LCD bias generator | Yes |
| SYS EN | 1 0 0 | 0000-0001-X | C | Turn on system oscillator | |
| LCD OFF | 1 0 0 | 0000-0010-X | C | Turn off LCD display | Yes |
| LCD ON | 1 0 0 | 0000-0011-X | C | Turn on LCD display | |
| TIMER DIS | 1 0 0 | 0000-0100-X | C | Disable time base output | Yes |
| WDT DIS | 1 0 0 | 0000-0101-X | C | Disable WDT time-out flag output | Yes |
| TIMER EN | 1 0 0 | 0000-0110-X | C | Enable time base output | |
| WDT EN | 1 0 0 | 0000-0111-X | C | Enable WDT time-out flag output | |
| TONE OFF | 1 0 0 | 0000-1000-X | C | Turn off tone outputs | Yes |
| CLR TIMER | 1 0 0 | 0000-1101-X | C | Clear the contents of the time base generator | |
| CLR WDT | 1 0 0 | 0000-1111-X | C | Clear the contents of the WDT stage | |
| TONE 4K | 1 0 0 | 010X-XXXX-X | C | Tone frequency output: 4kHz | |
| TONE 2K | 1 0 0 | 0110-XXXX-X | C | Tone frequency output: 2kHz | |
| $\overline{\text{IRQ}}$ DIS | 1 0 0 | 100X-0XXX-X | C | Disable $\overline{\text{IRQ}}$ output | Yes |
| $\overline{\text{IRQ}}$ EN | 1 0 0 | 100X-1XXX-X | C | Enable $\overline{\text{IRQ}}$ output | |
| F1 | 1 0 0 | 101X-0000-X | C | Time base clock output: 1Hz The WDT time-out flag after: 4s | |
| F2 | 1 0 0 | 101X-0001-X | C | Time base clock output: 2Hz The WDT time-out flag after: 2s | |
| F4 | 1 0 0 | 101X-0010-X | C | Time base clock output: 4Hz The WDT time-out flag after: 1s | |
| F8 | 1 0 0 | 101X-0011-X | C | Time base clock output: 8Hz The WDT time-out flag after: 1/2 s | |
| F16 | 1 0 0 | 101X-0100-X | C | Time base clock output: 16Hz The WDT time-out flag after: 1/4 s | |

| Name | ID | Command Code | D/C | Function | Def. |
|--------|--------------|--------------|-----|--|------|
| F32 | 1 0 0 | 101X-0101-X | C | Time base clock output: 32Hz The WDT time-out flag after: 1/8 s | |
| F64 | 1 0 0 | 101X-0110-X | C | Time base clock output: 64Hz The WDT time-out flag after: 1/16 s | |
| F128 | 1 0 0 | 101X-0111-X | C | Time base clock output: 128Hz The WDT time-out flag after: 1/32 s | Yes |
| TEST | 1 0 0 | 1110-0000-X | C | Test mode, user don't use. | |
| NORMAL | 1 0 0 | 1110-0011-X | C | Normal mode | Yes |

Note: X : Don't care

A5~A0 : RAM address

D3~D0 : RAM data

D/C : Data/Command mode

Def. : Power on reset default

All the bold forms, namely **1 1 0**, **1 0 1**, and **1 0 0**, are mode commands. Of these, **1 0 0** indicates the command mode ID. If successive commands have been issued, the command mode ID except for the first command will be omitted. The source of the tone frequency and of the time base/WDT clock frequency can be derived from a 32.768kHz crystal oscillator or an external 32kHz clock. Calculation of the frequency is based on the system frequency sources as stated above. It is recommended that the host controller should initialize the HT16220 after power on reset, for power on reset may fail, which in turn leads to malfunctioning of the HT16220.

Holtek Semiconductor Inc. (Headquarters)

No.3, Creation Rd. II, Science-based Industrial Park, Hsinchu, Taiwan, R.O.C.
Tel: 886-3-563-1999
Fax: 886-3-563-1189

Holtek Semiconductor Inc. (Taipei Office)

11F, No.576, Sec.7 Chung Hsiao E. Rd., Taipei, Taiwan, R.O.C.
Tel: 886-2-2782-9635
Fax: 886-2-2782-9636
Fax: 886-2-2782-7128 (International sales hotline)

Holtek Semiconductor (Hong Kong) Ltd.

RM.711, Tower 2, Cheung Sha Wan Plaza, 833 Cheung Sha Wan Rd., Kowloon, Hong Kong
Tel: 852-2-745-8288
Fax: 852-2-742-8657

Holtek Semiconductor (Shanghai) Ltd.

7th Floor, Building 2, No.889, Yi Shan Rd., Shanghai, China
Tel: 021-6485-5560
Fax: 021-6485-0313

Holmate Technology Corp.

48531 Warm Springs Boulevard, Suite 413, Fremont, CA 94539
Tel: 510-252-9880
Fax: 510-252-9885

Copyright © 2001 by HOLTEK SEMICONDUCTOR INC.

The information appearing in this Data Sheet is believed to be accurate at the time of publication. However, Holtek assumes no responsibility arising from the use of the specifications described. The applications mentioned herein are used solely for the purpose of illustration and Holtek makes no warranty or representation that such applications will be suitable without further modification, nor recommends the use of its products for application that may present a risk to human life due to malfunction or otherwise. Holtek reserves the right to alter its products without prior notification. For the most up-to-date information, please visit our web site at <http://www.holtek.com.tw>.