

AEDA-3300 Series

Incremental Transmissive Encoders Ultra Miniature High Resolution Incremental Encoders



Product Brief



Description

- Ultra miniature package with wide resolution ranges
- A “One Size Fits All Resolutions” concept. Ideal for space constraint applications
- Use transmissive technology
- Consists of a lensed LED (Light Emitting Diode) source, an integrated circuit with detectors and output circuitry, and an incremental track glass codewheel that rotates between the emitter and detector IC.
- Customers need not match correct components with each other.
- Eliminates the need to design different platforms for different resolutions
- Extremely cost effective
- Specifically designed to serve the industrial market with wide temperature ranges and requiring high accuracy
- High operating frequencies
- Fit standard 2 mm customer solid shaft. For other shaft sizes, please contact Agilent
- Pre-aligned with integrated bearing

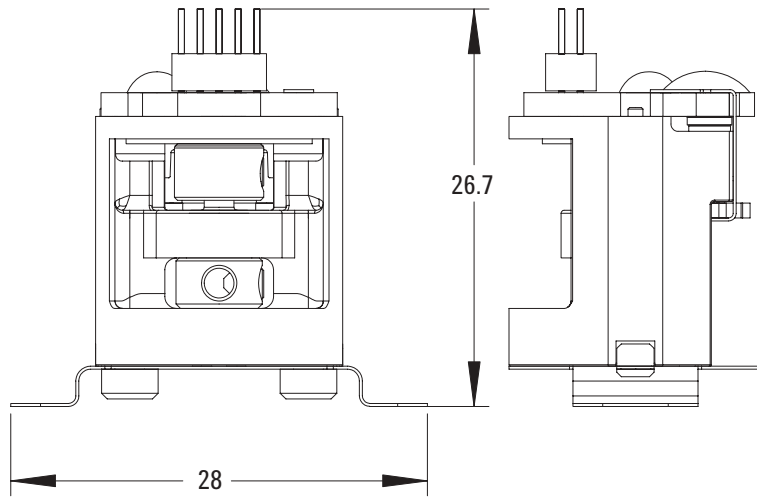
Features

- Resolution ranges from 600 to 20,000 CPR (Up to 80,000 after 4x decode)
- Wide operating temperature range from -40°C thru 125°C
- Integrated line driver for long cable connection
- Easy assemble process with integrated bearing options
- Single +5V supply
- 17 mm diameter x 24.0 mm height (AEDA-3300 - Bxx)
- 28 mm diameter x 26.7 mm height (AEDA-3300 - Txx)
- Maximum frequency 1 MHz (up to 650 kHz for options >10000 CPR)
- Maximum speed 12,000 RPM

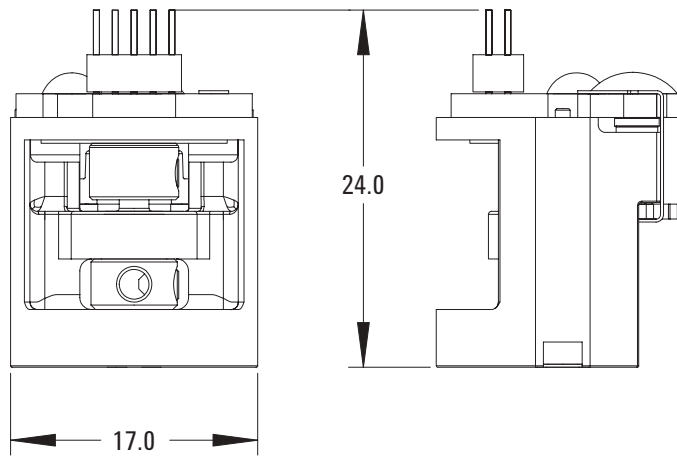
Applications

- Servo motors
- Stepper motors
- Pick & place machines
- Die bonders
- Robotics
- Machine Tools
- Textiles
- Factory automation

Dimensions



Top-down Mounting



Bottom-up Mounting

Ordering Information

AEDA-3 00

Housing Type	
3	Pre-aligned kit

Mounting Options	
T	Top-down
B	Bottom-up

Resolution Options		
	CPR	Counts (4X)
A4	600	2400
A6	1000	4000
A7	1024	4096
AB	2000	8000
AC	2048	8192
A J	2500	10000
AM	3000	12000
AQ	4000	16000
AT	4096	16384
B 1	5000	20000
B 7	6000	24000
B J	7200	28800
B K	7500	30000
B M	8000	32000
B N	8192	32768
C 1	10000	40000
C 3	10240	40960
C H	12000	48000
C X	14400	57600
DM	18000	72000
E1	20000	80000

* Contact Avago Technologies for availability of other options.

For product information and a complete list of distributors, please go to our web site: www.avagotech.com

Avago, Avago Technologies, and the A logo are trademarks of Avago Technologies, Pte. in the United States and other countries. Data subject to change. Copyright © 2006 Avago Technologies Pte. All rights reserved.
5989-4173EN - March 16, 2006

Avago
TECHNOLOGIES