



Agilent Technologies

HSDL-3208 Miniature Serial Infrared Transceiver for Both Short and Extended Link Distances

Miniature Module for Handheld Design

Agilent Technologies' HSDL-3208 is a new generation of Low Power Serial Infrared Transceivers (115kb/s), packaged in an ultra-small package at 1.6mm height. This product has an extended link distance up to 50cm and is fully compliant to IrDA 1.4 Low Power specification (LP IrDA standard only specifies link distance at 20-30cm). This versatile device can also be completely shut-down to achieve very low power consumption. In the shut-down mode the PIN diode will be inactive and thus produce minimal photo current, even under very bright ambient light.

The HSDL-3208 transceiver module is ideal for IrFM (Infrared Financial Management) Point and Pay applications and can be easily designed into slim portable devices such as E-wallets, cellular phones, smart phones, personal data assistants (PDAs).



Agilent Technologies

Enabling Smaller, Lighter, Secure Handheld Products

The HSDL-3208 transceiver module will effectively operate “nose to nose” with two transceivers practically touching, making it ideal for secure data transfer applications by preventing the interception of the infrared signal. Yet, the device module will also operate at distances of up to 50 cm. Agilent’s HSDL-3208 is the world’s slimmest low power infrared transceiver on the market, enabling IR connectivity to even smaller and lighter handheld products.

Features

- Ultra-Small Surface Mount Package
- Typical link distance up to 50cm
- Low power consumption
- IEC825-1 Class Eye Safe

Benefit

- Ideal for slim, portable applications
- Exceeds IrDA specifications; with excellent “nose-to-nose” operation
- Low shutdown current of 1 nA helps increase battery efficiency
- Does not require warning labels

Key Parameters :

Type:	SIR, 115Kpbs
Size (H x W x D) :	1.6mm x 7mm x 2.8mm
Supply Voltage :	2.7 to 3.6 V
Shutdown current :	1 nA (typ)
Link Distances :	50cm (typ)

Order Information

Part Number:	HSDL-3208-021
Packaging:	TypeTape & Reel
Package:	Front View
Quantity:	2500

Application Circuit Diagram

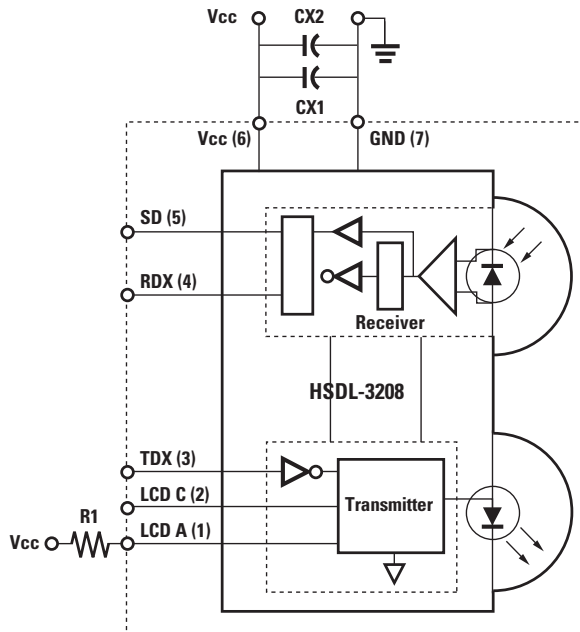


Figure 1. Functional block diagram of HSDL-3208

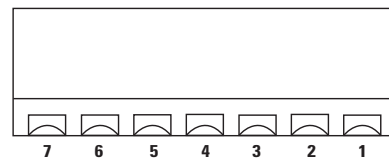


Figure 2. Rear view diagram with pin-out

To find out more visit www.agilent.com/view/ir