



# 100-Tap Digitally Programmable Potentiometer (DPP™)



## FEATURES

- 100-position linear taper potentiometer
- Non-volatile EEPROM wiper storage
- 10 nA ultra-low standby current
- Single supply operation: 2.5 V – 6.0 V
- Increment up/down serial interface
- Resistance values: 1 kΩ, 10 kΩ, 50 kΩ and 100 kΩ
- Available in PDIP, SOIC, TSSOP and MSOP packages

## APPLICATIONS

- Automated product calibration
- Remote control adjustments
- Offset, gain and zero control
- Tamper-proof calibrations
- Contrast, brightness and volume controls
- Motor controls and feedback systems
- Programmable analog functions

For Ordering Information details, see page 12.

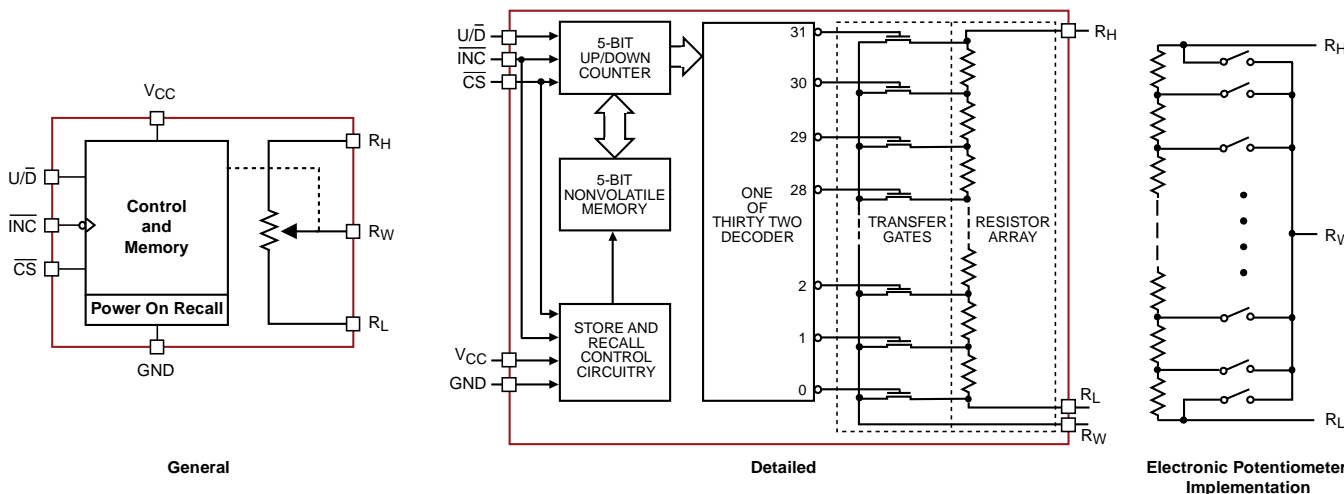
## DESCRIPTION

The CAT5113 is a single digitally programmable potentiometer (DPP™) designed as a electronic replacement for mechanical potentiometers. Ideal for automated adjustments on high volume production lines, they are also well suited for applications where equipment requiring periodic adjustment is either difficult to access or located in a hazardous or remote environment.

The CAT5113 contains a 100-tap series resistor array connected between two terminals  $R_H$  and  $R_L$ . An up/down counter and decoder that are controlled by three input pins, determines which tap is connected to the wiper,  $R_W$ . The wiper setting, stored in nonvolatile memory, is not lost when the device is powered down and is automatically reinstated when power is returned. The wiper can be adjusted to test new system values without affecting the stored setting. Wiper-control of the CAT5113 is accomplished with three input control pins,  $\overline{CS}$ , U/D, and  $\overline{INC}$ . The  $\overline{INC}$  input increments the wiper in the direction which is determined by the logic state of the U/D input. The  $\overline{CS}$  input is used to select the device and also store the wiper position prior to power down.

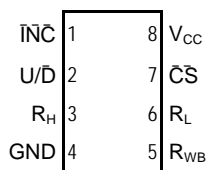
The digitally programmable potentiometer can be used as a three-terminal resistive divider or as a two-terminal variable resistor.

## FUNCTIONAL DIAGRAM

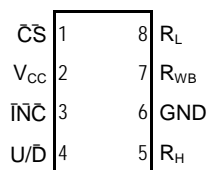


## PIN CONFIGURATION

PDIP 8-Lead (L)  
SOIC 8 Lead (V)  
MSOP 8 Lead (Z)



TSSOP 8 Lead (Y)



## PIN DESCRIPTIONS

Name	Function
IINC	Increment Control
U/D	Up/Down Control
R <sub>H</sub>	Potentiometer High Terminal
GND	Ground
R <sub>W</sub>	Wiper Terminal
R <sub>L</sub>	Potentiometer Low Terminal
CS	Chip Select
V <sub>CC</sub>	Supply Voltage

## PIN DESCRIPTION

**IINC:** Increment Control Input

The IINC input moves the wiper in the up or down direction determined by the condition of the U/D input.

**U/D:** Up/Down Control Input

The U/D input controls the direction of the wiper movement. When in a high state and CS is low, any high-to-low transition on IINC will cause the wiper to move one increment toward the R<sub>H</sub> terminal. When in a low state and CS is low, any high-to-low transition on IINC will cause the wiper to move one increment towards the R<sub>L</sub> terminal.

**R<sub>H</sub>:** High End Potentiometer Terminal

R<sub>H</sub> is the high end terminal of the potentiometer. It is not required that this terminal be connected to a potential greater than the R<sub>L</sub> terminal. Voltage applied to the R<sub>H</sub> terminal cannot exceed the supply voltage, V<sub>CC</sub> or go below ground, GND.

**R<sub>W</sub>:** Wiper Potentiometer Terminal

R<sub>W</sub> is the wiper terminal of the potentiometer. Its position on the resistor array is controlled by the control inputs, IINC, U/D and CS. Voltage applied to the R<sub>W</sub> terminal cannot exceed the supply voltage, V<sub>CC</sub> or go below ground, GND.

**R<sub>L</sub>:** Low End Potentiometer Terminal

R<sub>L</sub> is the low end terminal of the potentiometer. It is not required that this terminal be connected to a potential less than the R<sub>H</sub> terminal. Voltage applied to the R<sub>L</sub> terminal cannot exceed the supply voltage, V<sub>CC</sub> or go below ground, GND. R<sub>L</sub> and R<sub>H</sub> are electrically interchangeable.

**CS:** Chip Select

The chip select input is used to activate the control input of the CAT5113 and is active low. When in a

high state, activity on the IINC and U/D inputs will not affect or change the position of the wiper.

## DEVICE OPERATION

The CAT5113 operates like a digitally controlled potentiometer with R<sub>H</sub> and R<sub>L</sub> equivalent to the high and low terminals and R<sub>W</sub> equivalent to the mechanical potentiometer's wiper. There are 100 available tap positions including the resistor end points, R<sub>H</sub> and R<sub>L</sub>. There are 99 resistor elements connected in series between the R<sub>H</sub> and R<sub>L</sub> terminals. The wiper terminal is connected to one of the 100 taps and controlled by three inputs, IINC, U/D and CS. These inputs control a seven-bit up/down counter whose output is decoded to select the wiper position. The selected wiper position can be stored in non-volatile memory using the IINC and CS inputs.

With CS set LOW the CAT5113 is selected and will respond to the U/D and IINC inputs. HIGH to LOW transitions on IINC will increment or decrement the wiper (depending on the state of the U/D input and seven-bit counter). The wiper, when at either fixed terminal, acts like its mechanical equivalent and does not move beyond the last position. The value of the counter is stored in nonvolatile memory whenever CS transitions HIGH while the IINC input is also HIGH. When the CAT5113 is powered-down, the last stored wiper counter position is maintained in the nonvolatile memory. When power is restored, the contents of the memory are recalled and the counter is set to the value stored.

With IINC set low, the CAT5113 may be de-selected and powered down without storing the current wiper position in nonvolatile memory. This allows the system to always power up to a preset value stored in non-volatile memory.

## OPERATION MODES

INC	CS	U/D	Operation
High to Low	Low	High	Wiper toward H
High to Low	Low	Low	Wiper toward L
High	Low to High	X	Store Wiper Position
Low	Low to High	X	No Store, Return to Standby
X	High	X	Standby

ABSOLUTE MAXIMUM RATINGS<sup>(1)</sup>

Parameters	Ratings	Units
Supply Voltage $V_{CC}$ to GND	-0.5 to +7	V
Inputs		
CS to GND	-0.5 to $V_{CC} + 0.5$	V
INC to GND	-0.5 to $V_{CC} + 0.5$	V
U/D to GND	-0.5 to $V_{CC} + 0.5$	V
H to GND	-0.5 to $V_{CC} + 0.5$	V
L to GND	-0.5 to $V_{CC} + 0.5$	V
W to GND	-0.5 to $V_{CC} + 0.5$	V

Parameters	Ratings	Units
Operating Ambient Temperature Commercial ('C' or Blank suffix)	0 to 70	°C
Industrial ('I' suffix)	-40 to +85	°C
Junction Temperature	+150	°C
Storage Temperature	-65 to 150	°C
Lead Soldering (10s max)	+300	°C

## RELIABILITY CHARACTERISTICS

Symbol	Parameter	Test Method	Min	Typ	Max	Units
$V_{ZAP}^{(2)}$	ESD Susceptibility	MIL-STD-883, Test Method 3015	2000			V
$I_{LTH}^{(2)(3)}$	Latch-Up	JEDEC Standard 17	100			mA
$T_{DR}$	Data Retention	MIL-STD-883, Test Method 1008	100			Years
$N_{END}$	Endurance	MIL-STD-883, Test Method 1003	1,000,000			Stores

## DC ELECTRICAL CHARACTERISTICS

$V_{CC} = +2.5$  V to +6 V unless otherwise specified

## Power Supply

Symbol	Parameter	Conditions	Min	Typ	Max	Units
$V_{CC}$	Operating Voltage Range		2.5	–	6.0	V
$I_{CC1}$	Supply Current (Increment)	$V_{CC} = 6$ V, $f = 1$ MHz, $I_W = 0$	–	–	100	μA
		$V_{CC} = 6$ V, $f = 250$ kHz, $I_W = 0$	–	–	50	μA
$I_{CC2}$	Supply Current (Write)	Programming, $V_{CC} = 6$ V	–	–	1000	μA
		$V_{CC} = 3$ V	–	–	500	μA
$I_{SB1}^{(3)}$	Supply Current (Standby)	$\overline{CS} = V_{CC} - 0.3$ V $U/D, \overline{INC} = V_{CC} - 0.3$ V or GND	–	0.01	1	μA

## Notes:

- Stresses above those listed under "Absolute Maximum Ratings" may cause permanent damage to the device. These are stress ratings only, and functional operation of the device at these or any other conditions outside of those listed in the operational sections of this specification is not implied. Exposure to any absolute maximum rating for extended periods may affect device performance and reliability.
- This parameter is tested initially and after a design or process change that affects the parameter.
- Latch-up protection is provided for stresses up to 100 mA on address and data pins from -1 V to  $V_{CC} + 1$  V
- $I_W =$  source or sink
- These parameters are periodically sampled and are not 100% tested.

**Logic Inputs**

Symbol	Parameter	Conditions	Min	Typ	Max	Units
$I_{IH}$	Input Leakage Current	$V_{IN} = V_{CC}$	-	-	10	$\mu A$
$I_{IL}$	Input Leakage Current	$V_{IN} = 0 V$	-	-	-10	$\mu A$
$V_{IH2}$	CMOS High Level Input Voltage	$2.5 V \leq V_{CC} \leq 6 V$	$V_{CC} \times 0.7$	-	$V_{CC} + 0.3$	V
$V_{IL2}$	CMOS Low Level Input Voltage		-0.3	-	$V_{CC} \times 0.2$	V

**Potentiometer Characteristics**

Symbol	Parameter	Conditions	Min	Typ	Max	Units
$R_{POT}$	Potentiometer Resistance	-01 Device		1		k $\Omega$
		-10 Device		10		
		-50 Device		50		
		-00 Device		100		
	Pot. Resistance Tolerance				$\pm 20$	%
$V_{RH}$	Voltage on $R_H$ pin		0		$V_{CC}$	V
$V_{RL}$	Voltage on $R_L$ pin		0		$V_{CC}$	V
	Resolution			1		%
INL	Integral Linearity Error	$I_W \leq 2 \mu A$		0.5	1	LSB
DNL	Differential Linearity Error	$I_W \leq 2 \mu A$		0.25	0.5	LSB
$R_{WI}$	Wiper Resistance	$V_{CC} = 5 V, I_W = 1 mA$			400	$\Omega$
		$V_{CC} = 2.5 V, I_W = 1 mA$			1000	$\Omega$
$I_W$	Wiper Current	<sup>(1)</sup>	-4.4		4.4	mA
$TC_{RPOT}$	TC of Pot Resistance			300		ppm/ $^{\circ}C$
$TC_{RATIO}$	Ratiometric TC				20	ppm/ $^{\circ}C$
$V_N$	Noise	100 kHz / 1 kHz		8/24		nV/ $\sqrt{Hz}$
$C_H/C_L/C_W$	Potentiometer Capacitances			8/8/25		pF
fc	Frequency Response	Passive Attenuator, 10 k $\Omega$		1.7		MHz

**Notes:**

(1) This parameter is not 100% tested.

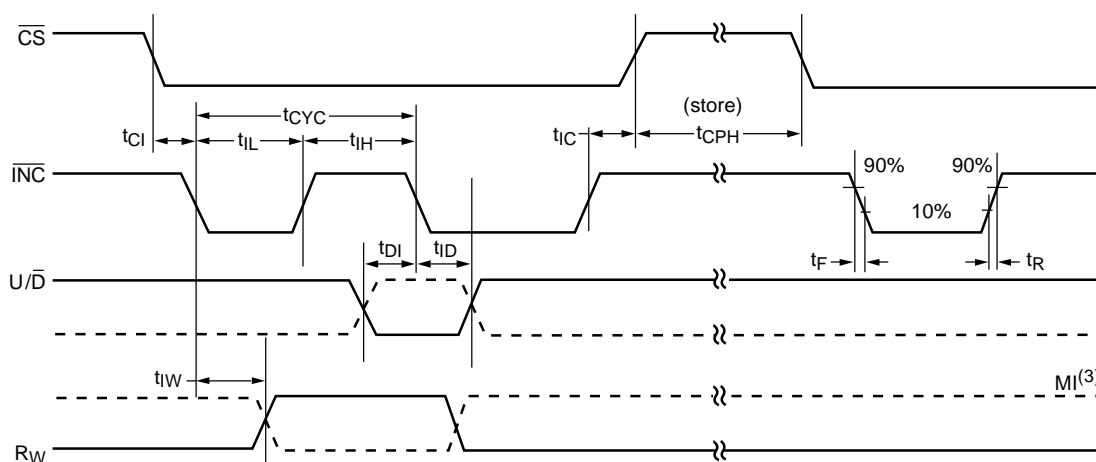
**AC CONDITIONS OF TEST**

$V_{CC}$ Range	$2.5\text{ V} \leq V_{CC} \leq 6\text{ V}$
Input Pulse Levels	$0.2V_{CC}$ to $0.7V_{CC}$
Input Rise and Fall Times	10 ns
Input Reference Levels	$0.5V_{CC}$

**AC OPERATING CHARACTERISTICS**

$V_{CC} = +2.5\text{ V}$  to  $+6.0\text{ V}$ ,  $V_H = V_{CC}$ ,  $V_L = 0\text{ V}$ , unless otherwise specified

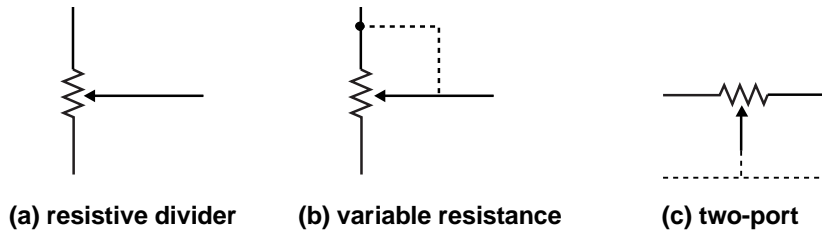
Symbol	Parameter	Min	Typ <sup>(1)</sup>	Max	Units
$t_{CI}$	CS to INC Setup	100	–	–	ns
$t_{DI}$	U/D to INC Setup	50	–	–	ns
$t_{ID}$	U/D to INC Hold	100	–	–	ns
$t_{IL}$	INC LOW Period	250	–	–	ns
$t_{IH}$	INC HIGH Period	250	–	–	ns
$t_{IC}$	INC Inactive to CS Inactive	1	–	–	$\mu\text{s}$
$t_{CPH}$	CS Deselect Time (NO STORE)	100	–	–	ns
$t_{CPH}$	CS Deselect Time (STORE)	10	–	–	ms
$t_{IW}$	INC to $V_{OUT}$ Change	–	1	5	$\mu\text{s}$
$t_{CYC}$	INC Cycle Time	1	–	–	$\mu\text{s}$
$t_R, t_F^{(2)}$	INC Input Rise and Fall Time	–	–	500	$\mu\text{s}$
$t_{PU}^{(2)}$	Power-up to Wiper Stable	–	–	1	ms
$t_{WR}$	Store Cycle	–	5	10	ms

**A.C. TIMING****Notes:**

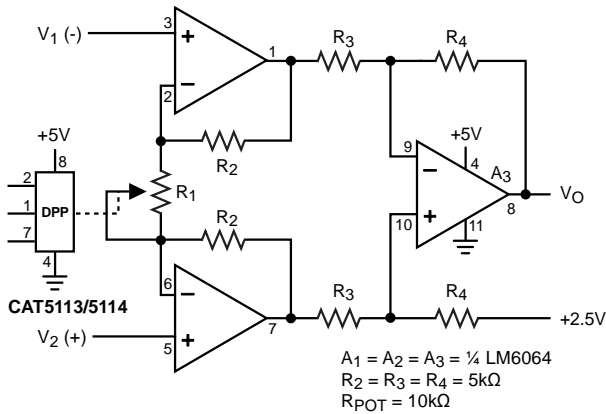
- (1) Typical values are for  $T_A = 25^\circ\text{C}$  and nominal supply voltage.
- (2) This parameter is periodically sampled and not 100% tested.
- (3) MI in the A.C. Timing diagram refers to the minimum incremental change in the W output due to a change in the wiper position.

## APPLICATIONS INFORMATION

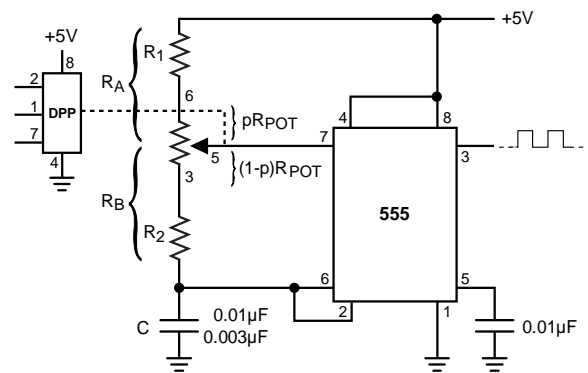
### Potentiometer Configuration



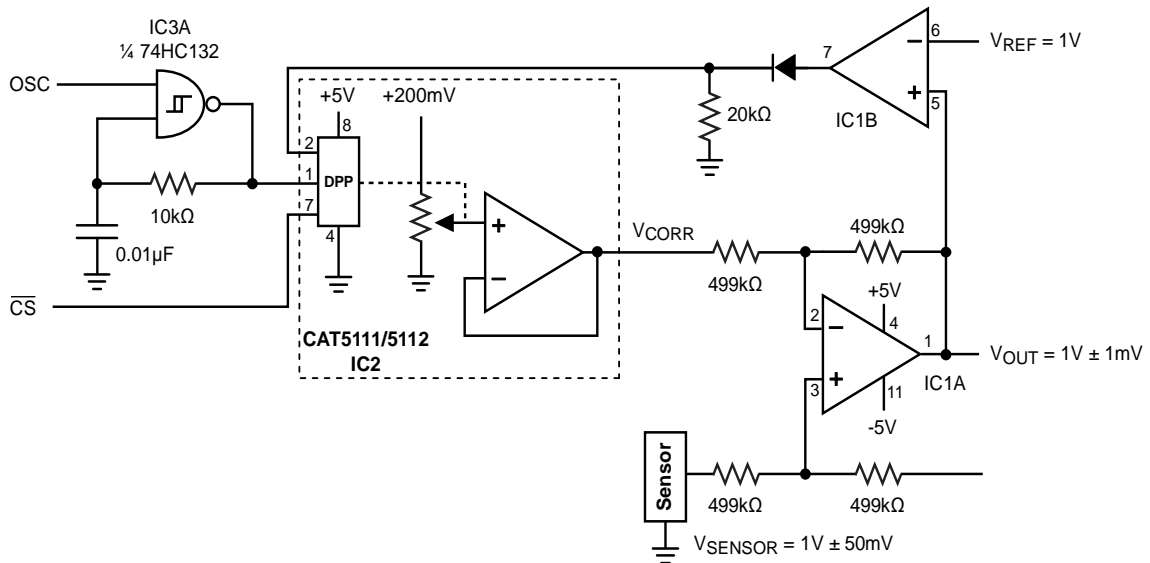
### Applications



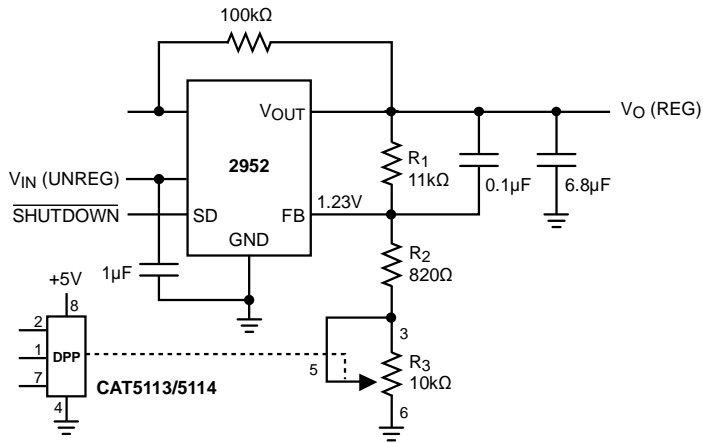
**Programmable Instrumentation Amplifier**



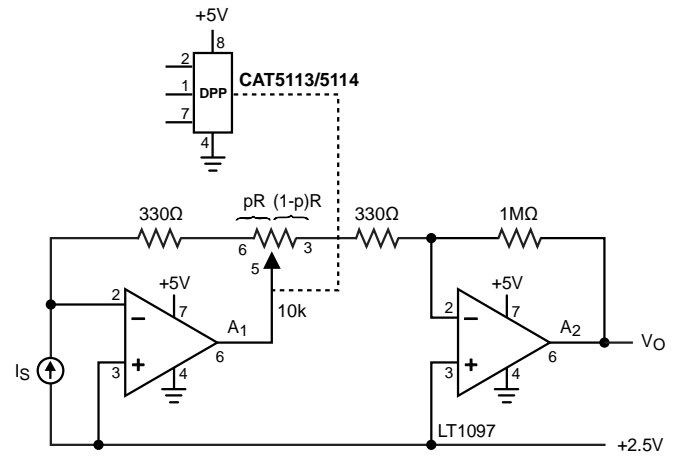
**Programmable Sq. Wave Oscillator (555)**



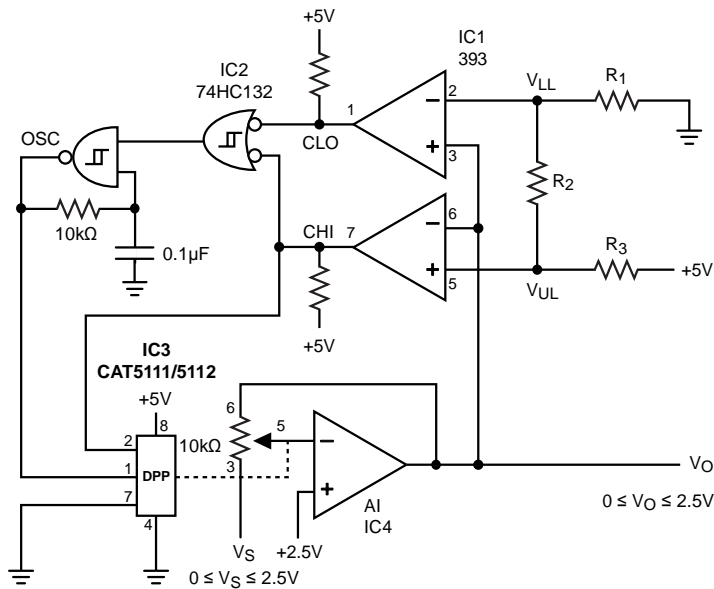
**Sensor Auto Referencing Circuit**



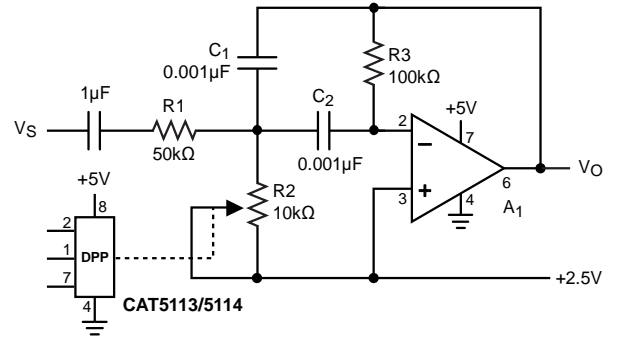
Programmable Voltage Regulator



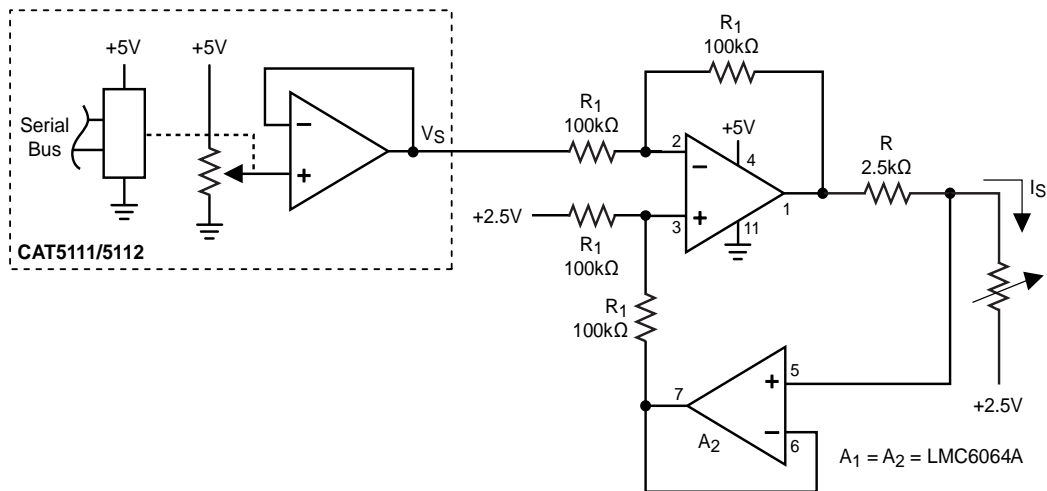
Programmable I to V Converter



Automatic Gain Control



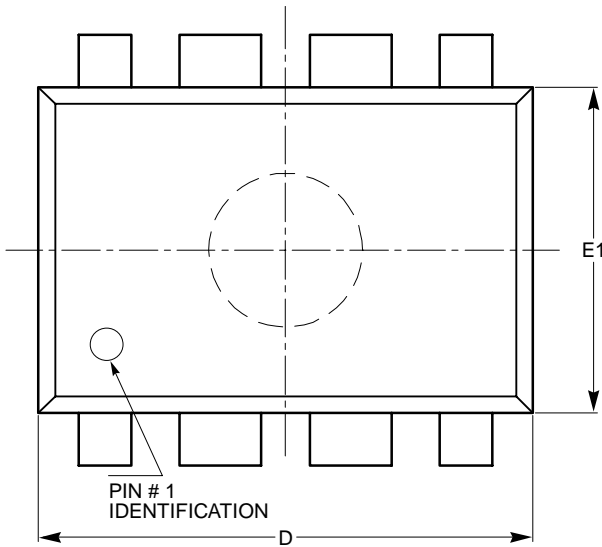
Programmable Bandpass Filter



Programmable Current Source/Sink

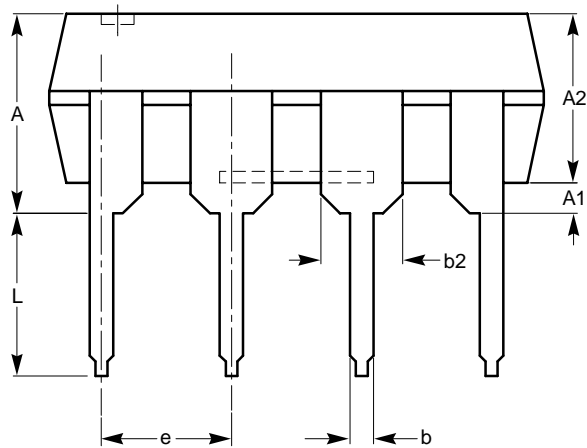
PACKAGE OUTLINE DRAWINGS

PDIP 8-Lead 300 mils (L)<sup>(1)(2)</sup>

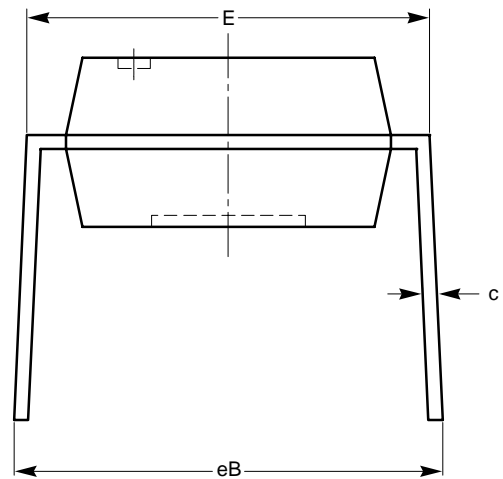


TOP VIEW

SYMBOL	MIN	NOM	MAX
A			5.33
A1	0.38		
A2	2.92	3.30	4.95
b	0.36	0.46	0.56
b2	1.14	1.52	1.78
c	0.20	0.25	0.36
D	9.02	9.27	10.16
E	7.62	7.87	8.25
e	2.54 BSC		
E1	6.10	6.35	7.11
eB	7.87		10.92
L	2.92	3.30	3.80



SIDE VIEW



END VIEW

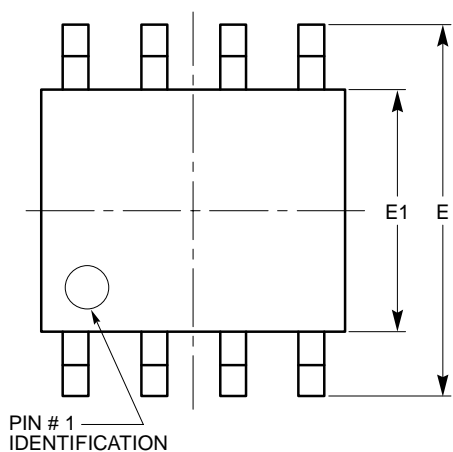
For current Tape and Reel information, download the PDF file from:  
<http://www.catsemi.com/documents/tapeandreel.pdf>.

Notes:

- (1) All dimensions are in millimeters.
- (2) Complies with JEDEC Standard MS-001.

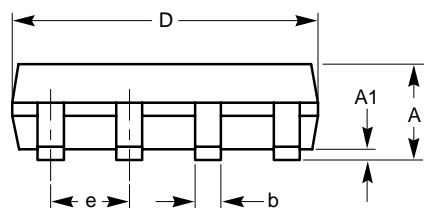


SOIC 8-Lead 150 mils (V) <sup>(1)(2)</sup>

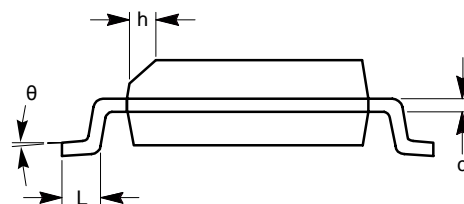


TOP VIEW

SYMBOL	MIN	NOM	MAX
A	1.35		1.75
A1	0.10		0.25
b	0.33		0.51
c	0.19		0.25
D	4.80		5.00
E	5.80		6.20
E1	3.80		4.00
e	1.27 BSC		
h	0.25		0.50
L	0.40		1.27
$\theta$	0°		8°



SIDE VIEW



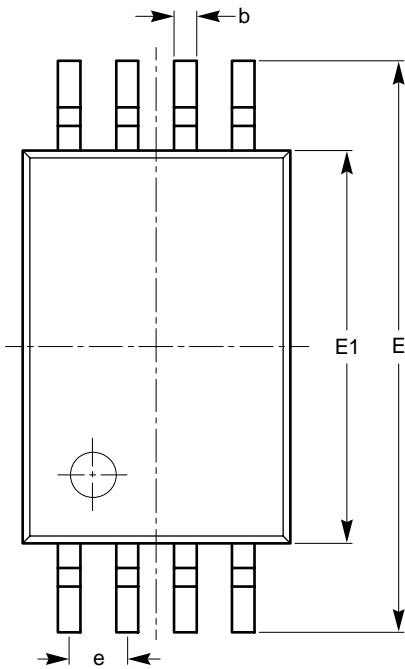
END VIEW

For current Tape and Reel information, download the PDF file from:  
<http://www.catsemi.com/documents/tapeandreeel.pdf>.

**Notes:**

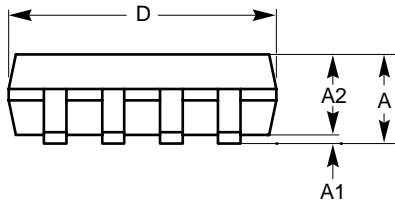
- (1) All dimensions are in millimeters. Angles in degrees.
- (2) Complies with JEDEC Specification MS-012.

TSSOP 8-Lead 4.4 mm (Y) <sup>(1)(2)</sup>

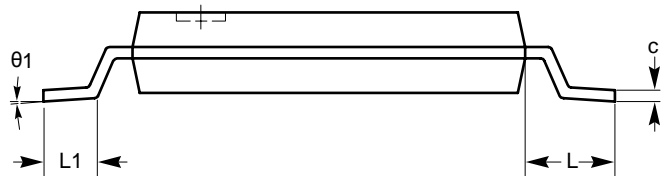


TOP VIEW

SYMBOL	MIN	NOM	MAX
A			1.20
A1	0.05		0.15
A2	0.80	0.90	1.05
b	0.19		0.30
c	0.09		0.20
D	2.90	3.00	3.10
E	6.30	6.40	6.50
E1	4.30	4.40	4.50
e	0.65 BSC		
L	1.00 REF		
L1	0.50	0.60	0.75
$\theta_1$	0°		8°



SIDE VIEW



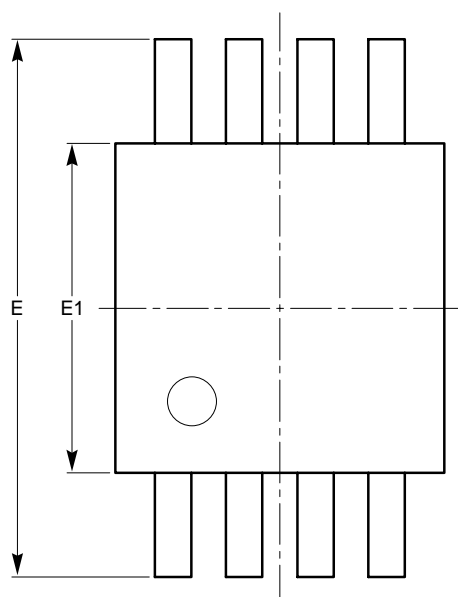
END VIEW

For current Tape and Reel information, download the PDF file from:  
<http://www.catsemi.com/documents/tapeandreel.pdf>.

Notes:

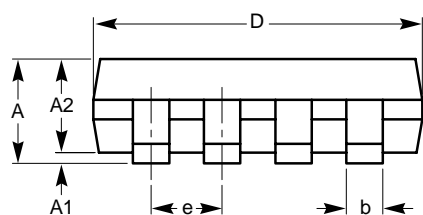
- (1) All dimensions are in millimeters.
- (2) Complies with JEDEC Standard MO-153

MSOP 8-Lead 3.0 x 3.0 mm (Z) <sup>(1)(2)</sup>

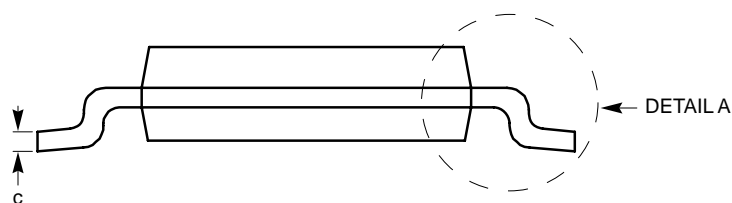


TOP VIEW

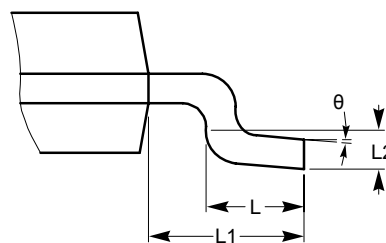
SYMBOL	MIN	NOM	MAX
A			1.10
A1	0.05	0.10	0.15
A2	0.75	0.85	0.95
b	0.22		0.38
c	0.13		0.23
D	2.90	3.00	3.10
E	4.80	4.90	5.00
E1	2.90	3.00	3.10
e	0.65 BSC		
L	0.40	0.60	0.80
L1	0.95 REF		
L2	0.25 BSC		
$\theta$	0°		6°



SIDE VIEW



END VIEW



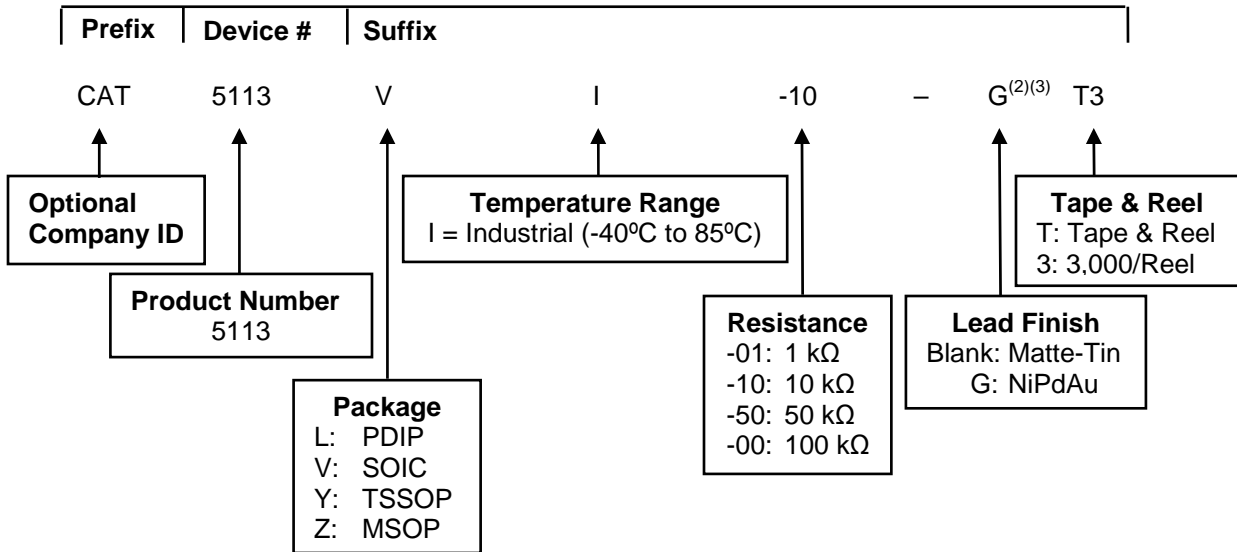
DETAIL A

For current Tape and Reel information, download the PDF file from:  
<http://www.catsemi.com/documents/tapeandreel.pdf>.

Notes:

- (1) All dimensions are in millimeters. Angles in degrees.
- (2) Complies with JEDEC Specification MS-187.

**EXAMPLE OF ORDERING INFORMATION**



**Notes:**

- (1) All packages are RoHS-compliant (Lead-free, Halogen-free).
- (2) The standard lead finish is NiPdAu, except MSOP package is Matte-Tin.
- (3) Contact factory for Matte-Tin finish availability for PDIP, SOIC and TSSOP packages.
- (4) This device used in the above example is a CAT5113VI-10-GT3 (SOIC, Industrial Temperature, 10 kΩ, NiPdAu, Tape & Reel, 3,000/Reel).


**ORDERING INFORMATION**

Orderable Part Number	Resistance (kΩ)	Package-Pins	Lead Finish
CAT5113LI-01-G	1	PDIP-8	NiPdAu
CAT5113LI-10-G	10		
CAT5113LI-50-G	50		
CAT5113LI-00-G	100		
CAT5113VI-01-GT3	1	SOIC-8	NiPdAu
CAT5113VI-10-GT3	10		
CAT5113VI-50-GT3	50		
CAT5113VI-00-GT3	100		
CAT5113YI-01-GT3	1	TSSOP-8	NiPdAu
CAT5113YI-10-GT3	10		
CAT5113YI-50-GT3	50		
CAT5113YI-00-GT3	100		
CAT5113ZI-01-T3	1	MSOP-8	Matte-Tin
CAT5113ZI-10-T3	10		
CAT5113ZI-50-T3	50		
CAT5113ZI-00-T3	100		

**For Product Top Mark Codes, click here:**  
<http://www.catsemi.com/techsupport/producttopmark.asp>

## REVISION HISTORY

Date	Rev.	Description
09-Oct-03	M	Revised Features Revised DC Electrical Characteristics
10-Mar-04	N	Updated Potentiometer Parameters
29-Mar-04	O	Changed Green Package marking for SOIC from W to V
02-Apr-04	P	Add 1k $\Omega$ version to data sheet
08-Apr-04	Q	Eliminated data sheet designation Updated Tape and Reel specs in Ordering Information
25-Jan-05	R	Updated Potentiometer Parameters
22-Apr-06	S	Updated Example of Ordering Information
01-Jun-07	T	Added Package Outline Added MD- in front of Document No.
15-Feb-08	U	Update Logic Inputs table Update Application Information (Sensor Auto Referencing Circuit and Programmable Current Source/Sink) Update Package Outline Drawings
27-Mar-08	V	Update Example of Ordering Information Delete MSOP in NiPdAu plated finish Add Top Mark Codes link
20-Nov-08	X	Change logo and fine print to ON Semiconductor
10-Jul-09	Y	Update Ordering Information table

**ON Semiconductor** and  are registered trademarks of Semiconductor Components Industries, LLC (SCILLC). SCILLC reserves the right to make changes without further notice to any products herein. SCILLC makes no warranty, representation or guarantee regarding the suitability of its products for any particular purpose, nor does SCILLC assume any liability arising out of the application or use of any product or circuit, and specifically disclaims any and all liability, including without limitation special, consequential or incidental damages. "Typical" parameters which may be provided in SCILLC data sheets and/or specifications can and do vary in different applications and actual performance may vary over time. All operating parameters, including "Typicals" must be validated for each customer application by customer's technical experts. SCILLC does not convey any license under its patent rights nor the rights of others. SCILLC products are not designed, intended, or authorized for use as components in systems intended for surgical implant into the body, or other applications intended to support or sustain life, or for any other application in which the failure of the SCILLC product could create a situation where personal injury or death may occur. Should Buyer purchase or use SCILLC products for any such unintended or unauthorized application, Buyer shall indemnify and hold SCILLC and its officers, employees, subsidiaries, affiliates, and distributors harmless against all claims, costs, damages, and expenses, and reasonable attorney fees arising out of, directly or indirectly, any claim of personal injury or death associated with such unintended or unauthorized use, even if such claim alleges that SCILLC was negligent regarding the design or manufacture of the part. SCILLC is an Equal Opportunity/Affirmative Action Employer. This literature is subject to all applicable copyright laws and is not for resale in any manner.

### PUBLICATION ORDERING INFORMATION

#### LITERATURE FULFILLMENT:

**Literature Distribution Center for ON Semiconductor**  
P.O. Box 5163, Denver, Colorado 80217 USA  
**Phone:** 303-675-2175 or 800-344-3860 Toll Free USA/Canada  
**Fax:** 303-675-2176 or 800-344-3867 Toll Free USA/Canada  
**Email:** orderlit@onsemi.com

**N. American Technical Support:** 800-282-9855 Toll Free  
USA/Canada

**Europe, Middle East and Africa Technical Support:**  
Phone: 421 33 790 2910

**Japan Customer Focus Center:**  
Phone: 81-3-5773-3850

**ON Semiconductor Website:** [www.onsemi.com](http://www.onsemi.com)

**Order Literature:** <http://www.onsemi.com/orderlit>

For additional information, please contact your local Sales Representative