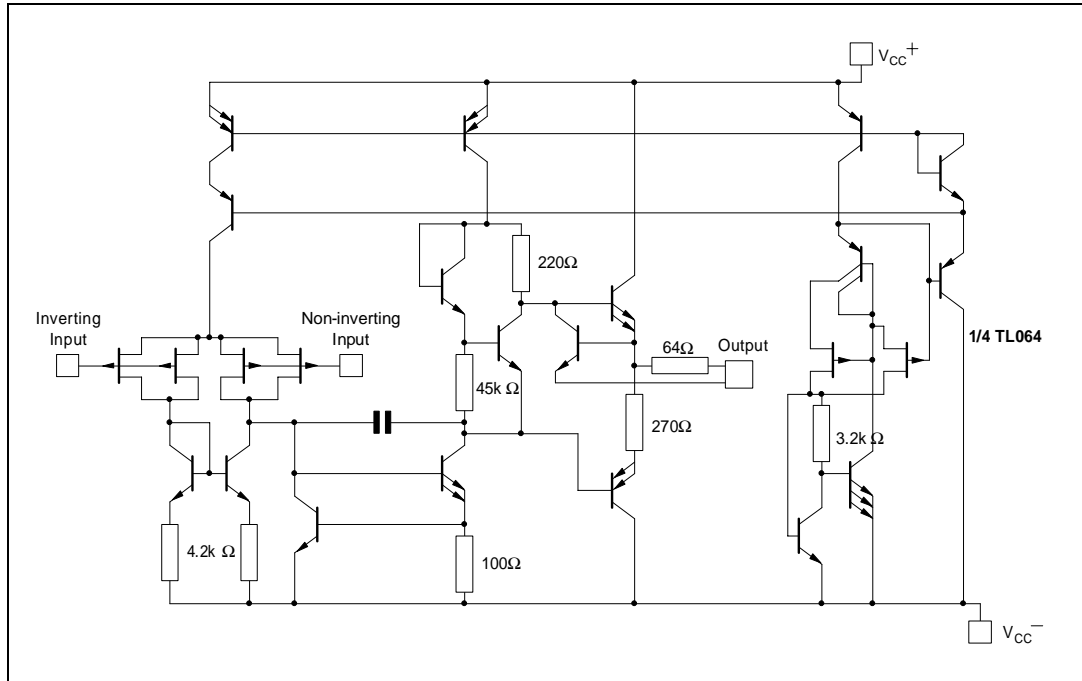


1 Schematic diagram

Figure 1. Circuit schematics



2 Absolute maximum ratings and operating conditions

Table 1. Absolute maximum ratings

Symbol	Parameter	Value			Unit
		TL064M, AM, BM	TL064I, AI, BI	TL064C, AC, BC	
V_{CC}	Supply voltage ⁽¹⁾	±18			V
V_i	Input voltage ⁽²⁾	±15			V
V_{id}	Differential input voltage ⁽³⁾	±30			V
P_{tot}	Power dissipation	680			mW
R_{thja}	Thermal resistance junction to ambient ^{(4) (5)}				°C/W
	SO-14 DIP14	105 80			
R_{thjc}	Thermal resistance junction to case ^{(4) (5)}				°C/W
	SO-14 DIP14	31 33			
	Output short-circuit duration ⁽⁶⁾	Infinite			
T_{oper}	Operating free-air temperature range	-55 to +125	-40 to +105	0 to +70	°C
T_{stg}	Storage temperature range	-65 to +150			°C
ESD	HBM: human body model ⁽⁷⁾	900			V
	MM: machine model ⁽⁸⁾	200			
	CDM: charged device model ⁽⁹⁾	1500			

- All voltage values, except differential voltage, are with respect to the zero reference level (ground) of the supply voltages where the zero reference level is the midpoint between V_{CC}^+ and V_{CC}^- .
- The magnitude of the input voltage must never exceed the magnitude of the supply voltage or 15 volts, whichever is less.
- Differential voltages are the non-inverting input terminal with respect to the inverting input terminal.
- Short-circuits can cause excessive heating and destructive dissipation.
- R_{th} are typical values.
- The output may be shorted to ground or to either supply. Temperature and/or supply voltages must be limited to ensure that the dissipation rating is not exceeded.
- Human body model: 100pF discharged through a 1.5kΩ resistor between two pins of the device, done for all couples of pin combinations with other pins floating.
- Machine model: a 200pF cap is charged to the specified voltage, then discharged directly between two pins of the device with no external series resistor (internal resistor < 5Ω), done for all couples of pin combinations with other pins floating.
- Charged device model: all pins plus package are charged together to the specified voltage and then discharged directly to the ground.

Table 2. Operating conditions

Symbol	Parameter	TL064M, AM, BM	TL064I, AI, BI	TL064C, AC, BC	Unit
V_{CC}	Supply voltage range	6 to 36			V
T_{oper}	Operating free-air temperature range	-55 to +125	-40 to +105	0 to +70	°C

3 Electrical characteristics

Table 3. $V_{CC} = \pm 15V$, $T_{amb} = +25^{\circ}C$ (unless otherwise specified)

Symbol	Parameter	TL064M			TL064I			TL064C			Unit
		Min.	Typ.	Max.	Min.	Typ.	Max.	Min.	Typ.	Max.	
V_{io}	Input offset voltage ($R_S = 50\Omega$) $T_{amb} = +25^{\circ}C$ $T_{min} \leq T_{amb} \leq T_{max}$		3	6 15		3	6 9		3	15 20	mV
DV_{io}	Temperature coefficient of input offset voltage ($R_S = 50\Omega$)		10			10			10		$\mu V/^{\circ}C$
I_{io}	Input offset current ⁽¹⁾ $T_{amb} = +25^{\circ}C$ $T_{min} \leq T_{amb} \leq T_{max}$		5	100 20		5	100 10		5	200 5	pA nA
I_{ib}	Input bias current ⁽¹⁾ $T_{amb} = +25^{\circ}C$ $T_{min} \leq T_{amb} \leq T_{max}$		30	200 50		30	200 20		30	400 10	pA nA
V_{icm}	Input common mode voltage range	± 11.5	+15 -12		± 11.5	+15 -12		± 11	+15 -12		V
V_{opp}	Output voltage swing, $R_L = 10k\Omega$ $T_{amb} = +25^{\circ}C$ $T_{min} \leq T_{amb} \leq T_{max}$	20 20	27		20 20	27		20 20	27		V
A_{vd}	Large signal voltage gain $R_L = 10k\Omega$, $V_o = \pm 10V$, $T_{amb} = +25^{\circ}C$ $T_{min} \leq T_{amb} \leq T_{max}$	4 4	6		4 4	6		3 3	6		V/mV
GBP	Gain bandwidth product $T_{amb} = +25^{\circ}C$, $R_L = 10k\Omega$, $C_L = 100pF$		1			1			1		MHz
R_i	Input resistance		10^{12}			10^{12}			10^{12}		Ω
CMR	Common mode rejection ratio $R_S = 50\Omega$	80	86		80	86		70	76		dB
SVR	Supply voltage rejection ratio $R_S = 50\Omega$	80	95		80	95		70	95		dB
I_{CC}	Supply current, no load $T_{amb} = +25^{\circ}C$, no load, no signal		200	250		200	250		200	250	μA
P_D	Total power consumption $T_{amb} = +25^{\circ}C$, no load, no signal		120			120			120		dB
SR	Slew rate $V_i = 10V$, $R_L = 10k\Omega$, $C_L = 100pF$, $A_v = 1$		6	7.5		6	7.5		6	7.5	mW
t_r	Rise time $V_i = 20mV$, $R_L = 10k\Omega$, $C_L = 100pF$, $A_v = 1$		0.2			0.2			0.2		μs

Table 3. $V_{CC} = \pm 15V$, $T_{amb} = +25^{\circ}C$ (unless otherwise specified) (continued)

Symbol	Parameter	TL064M			TL064I			TL064C			Unit
		Min.	Typ.	Max.	Min.	Typ.	Max.	Min.	Typ.	Max.	
K_{ov}	Overshoot factor (see Figure 17) $V_i = 20mV$, $R_L = 10k\Omega$ $C_L = 100pF$, $A_v = 1$		10			10			10		%
e_n	Equivalent input noise voltage $R_S = 100\Omega$, $f = 1KHz$		42			42			42		$\frac{nV}{\sqrt{Hz}}$

1. The input bias currents of a FET-input operational amplifier are normal junction reverse currents, which are temperature sensitive. Pulse techniques must be used that will maintain the junction temperature as close to the ambient temperature as possible.

Table 4. $V_{CC} = \pm 15V$, $T_{amb} = +25^{\circ}C$ (unless otherwise specified)

Symbol	Parameter	TL064AC, AI, AM			TL064BC, BI, BM			Unit
		Min.	Typ.	Max.	Min.	Typ.	Max.	
V_{io}	Input offset voltage ($R_S = 50\Omega$) $T_{amb} = +25^{\circ}C$ $T_{min} \leq T_{amb} \leq T_{max}$		3	6 7.5		2	3 5	mV
DV_{io}	Temperature coefficient of input offset voltage ($R_S = 50\Omega$)		10			10		$\mu V/^{\circ}C$
I_{io}	Input offset current ⁽¹⁾ $T_{amb} = +25^{\circ}C$ $T_{min} \leq T_{amb} \leq T_{max}$		5	100 3		5	100 3	pA nA
I_{ib}	Input bias current ⁽¹⁾ $T_{amb} = +25^{\circ}C$ $T_{min} \leq T_{amb} \leq T_{max}$		30	200 7		30	200 7	pA nA
V_{icm}	Input common mode voltage range	± 11.5	+15 -12		± 11.5	+15 -12		V
V_{opp}	Output voltage swing ($R_L = 10k\Omega$) $T_{amb} = +25^{\circ}C$ $T_{min} \leq T_{amb} \leq T_{max}$	20 20	27		20 20	27		V
A_{vd}	Large signal voltage gain, $R_L = 10k\Omega$, $V_o = \pm 10V$ $T_{amb} = +25^{\circ}C$ $T_{min} \leq T_{amb} \leq T_{max}$	4 4	6		4 4	6		V/mV
GBP	Gain bandwidth product $T_{amb} = +25^{\circ}C$, $R_L = 10k\Omega$, $C_L = 100pF$		1			1		MHz
R_i	Input resistance		10^{12}			10^{12}		Ω
CMR	Common mode rejection ratio $R_S = 50\Omega$	80	86		80	86		dB
SVR	Supply voltage rejection ratio $R_S = 50\Omega$	80	95		80	95		dB
I_{CC}	Supply current, no load $T_{amb} = +25^{\circ}C$, no load, no signal		200	250		200	250	μA

Table 4. $V_{CC} = \pm 15V$, $T_{amb} = +25^{\circ}C$ (unless otherwise specified) (continued)

Symbol	Parameter	TL064AC, AI, AM			TL064BC, BI, BM			Unit
		Min.	Typ.	Max.	Min.	Typ.	Max.	
P_D	Total power consumption $T_{amb} = +25^{\circ}C$, no load, no signal		120			120		dB
SR	Slew rate $V_i = 10V$, $R_L = 10k\Omega$, $C_L = 100pF$, $A_v = 1$	1.5	3.5		1.5	3.5		V/ μs
t_r	Rise time $V_i = 20mV$, $R_L = 10k\Omega$, $C_L = 100pF$, $A_v = 1$		0.2			0.2		μs
K_{ov}	Overshoot factor (see Figure 17) $V_i = 20mV$, $R_L = 10k\Omega$, $C_L = 100pF$, $A_v = 1$		10			10		%
e_n	Equivalent input noise voltage $R_S = 100\Omega$, $f = 1KHz$		42			42		$\frac{nV}{\sqrt{Hz}}$

1. The input bias currents of a FET-input operational amplifier are normal junction reverse currents, which are temperature sensitive. Pulse techniques must be used that will maintain the junction temperature as close to the ambient temperature as possible.

Figure 2. Maximum peak-to-peak output voltage versus supply voltage

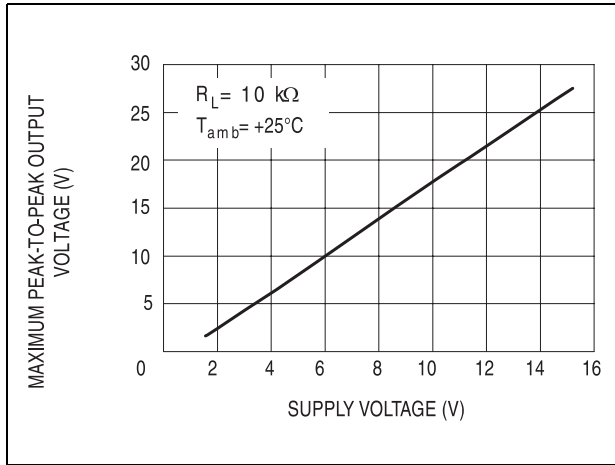


Figure 3. Maximum peak-to-peak output voltage versus free air temp

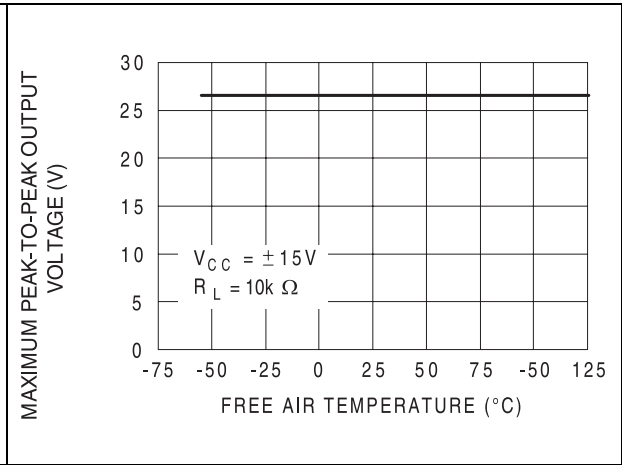


Figure 4. Maximum peak-to-peak output voltage versus load resistance

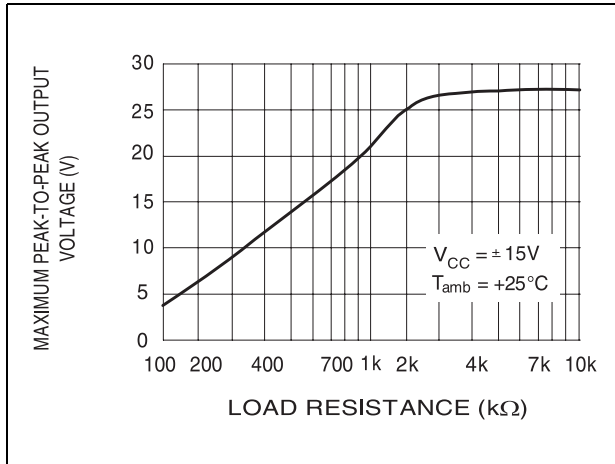


Figure 5. Maximum peak-to-peak output voltage versus frequency

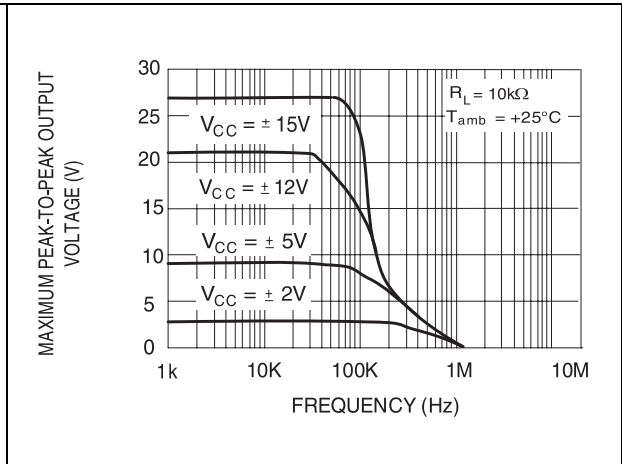


Figure 6. Differential voltage amplification versus free air temperature

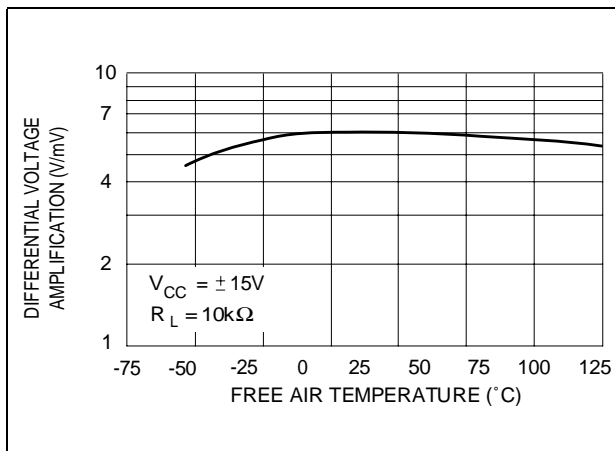


Figure 7. Large signal differential voltage amplification and phase shift versus frequency

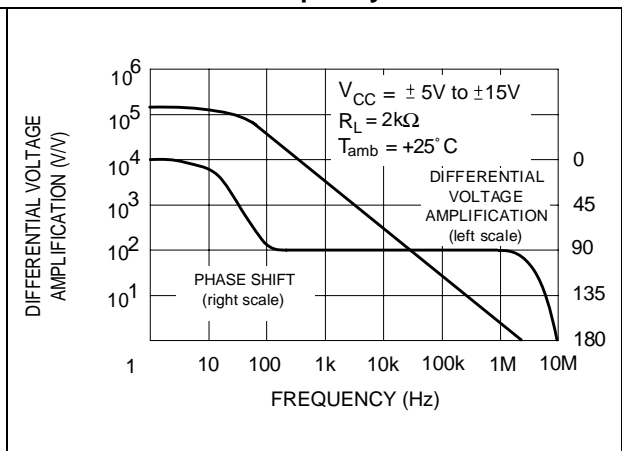


Figure 8. Supply current per amplifier versus supply voltage

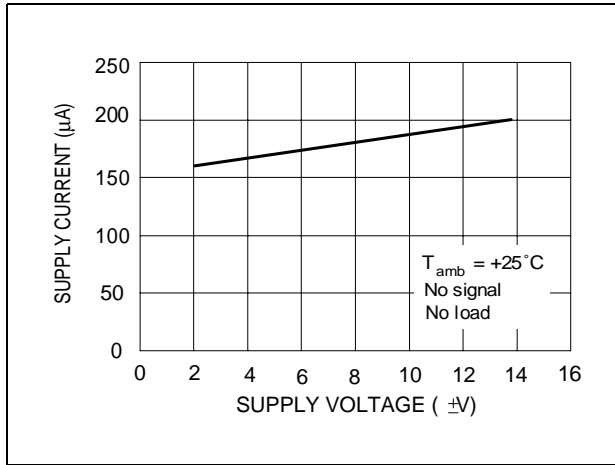


Figure 9. Supply current per amplifier versus free air temperature

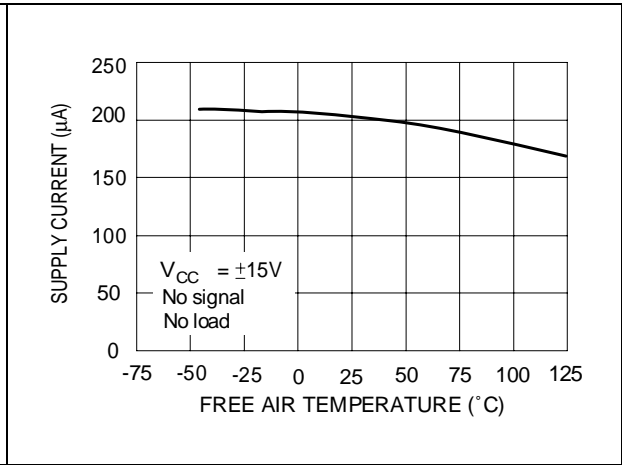


Figure 10. Total power dissipated versus free air temperature

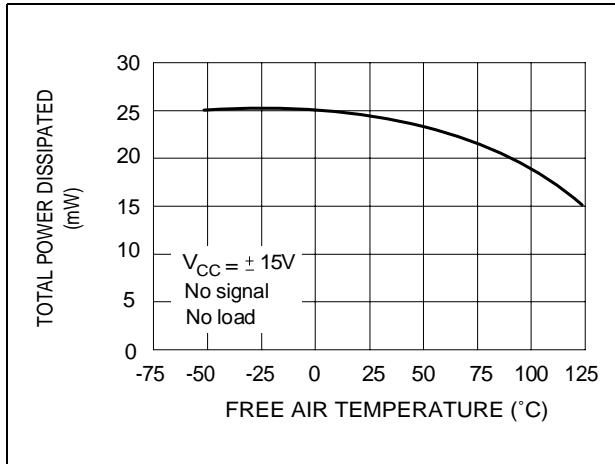


Figure 11. Common mode rejection ratio versus free air temperature

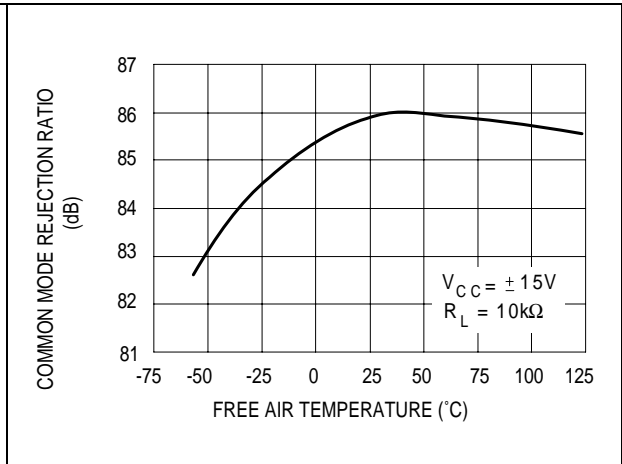


Figure 12. Normalized unity gain bandwidth, slew rate, and phase shift versus temperature

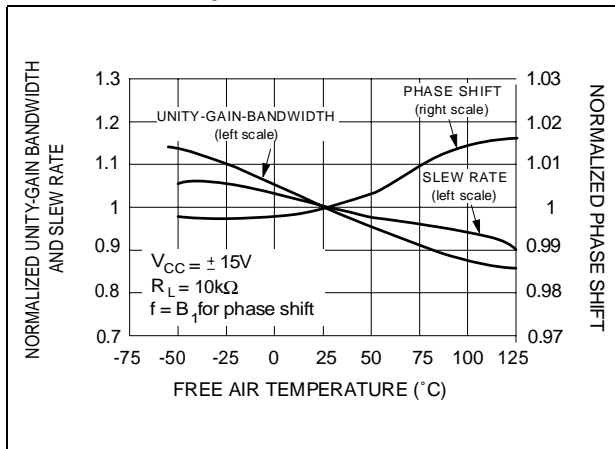


Figure 13. Input bias current versus free air temperature

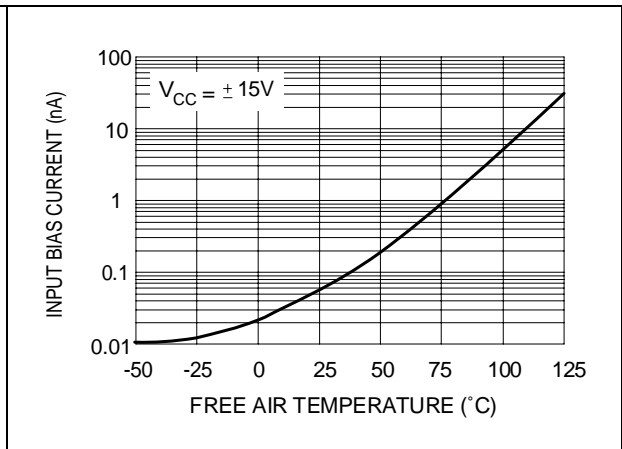


Figure 14. Voltage follower large signal pulse response

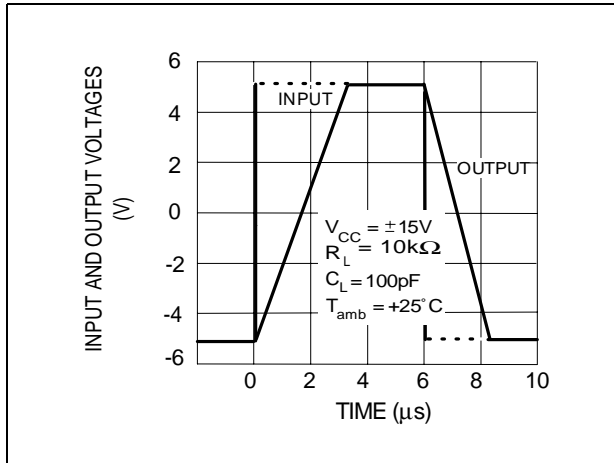


Figure 15. Output voltage versus elapsed time response

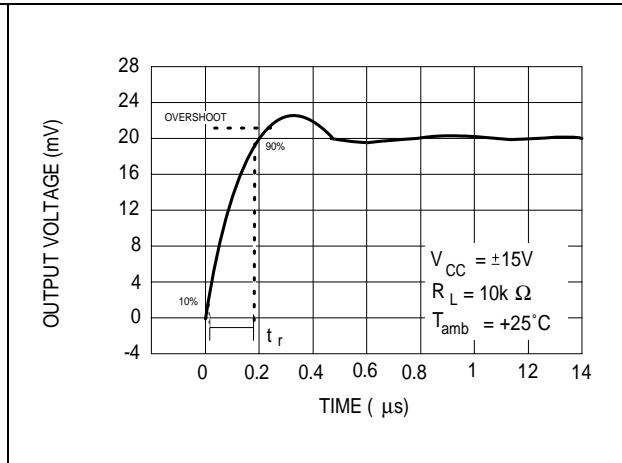
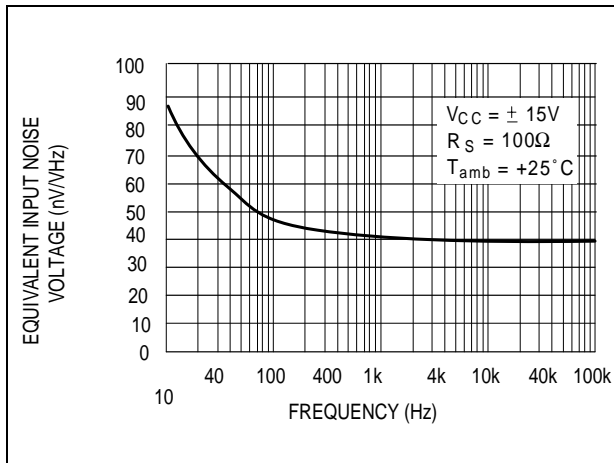


Figure 16. Equivalent input noise voltage versus frequency



Parameter measurement information

Figure 17. Voltage follower

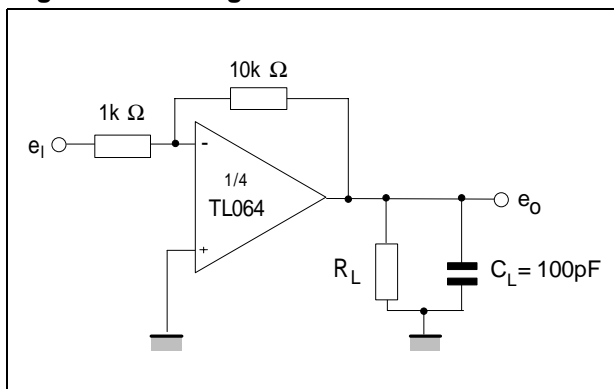
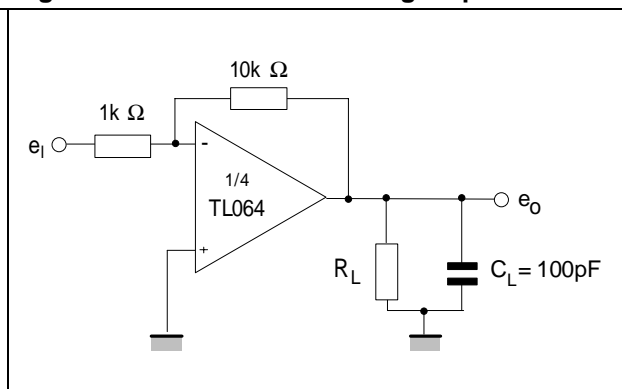
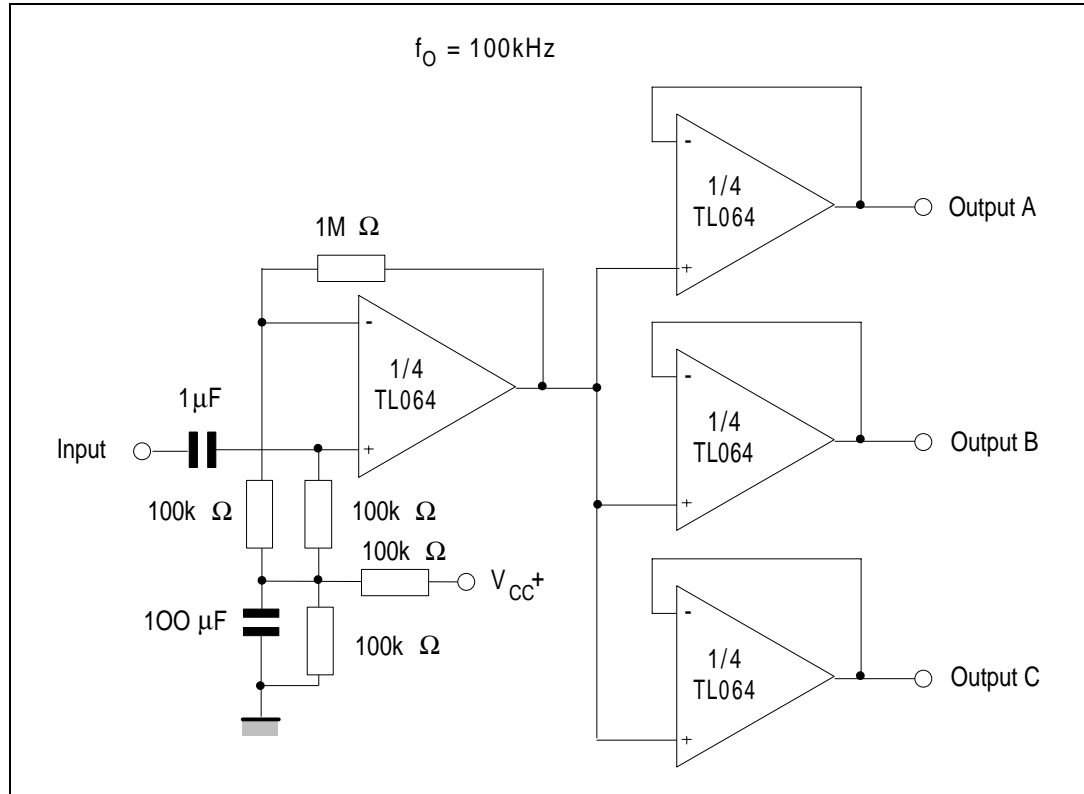


Figure 18. Gain-of-10 inverting amplifier



4 Typical applications

Figure 19. Audio distributor amplifier



5 Package information

In order to meet environmental requirements, ST offers these devices in ECOPACK® packages. These packages have a lead-free second level interconnect. The category of second level interconnect is marked on the package and on the inner box label, in compliance with JEDEC Standard JESD97. The maximum ratings related to soldering conditions are also marked on the inner box label. ECOPACK is an ST trademark. ECOPACK specifications are available at: www.st.com.

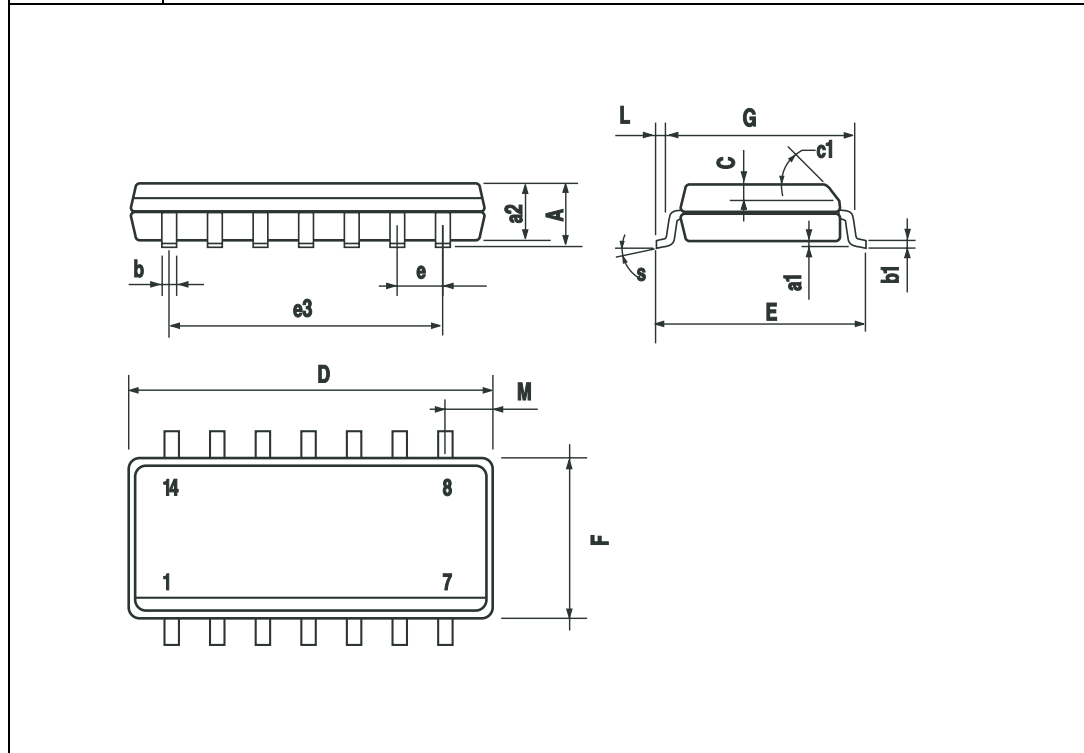
Figure 20. DIP14 package mechanical data

Ref.	Dimensions					
	Millimeters			Inches		
	Min.	Typ.	Max.	Min.	Typ.	Max.
a1	0.51			0.020		
B	1.39		1.65	0.055		0.065
b		0.5			0.020	
b1		0.25			0.010	
D			20			0.787
E		8.5			0.335	
e		2.54			0.100	
e3		15.24			0.600	
F			7.1			0.280
l			5.1			0.201
L		3.3			0.130	
Z	1.27		2.54	0.050		0.100

The figure includes three mechanical drawings of the DIP14 package. The top drawing is a side view showing dimensions a1 (lead height), B (lead width), b (lead thickness), b1 (lead thickness at base), e (pitch), e3 (total length), F (lead length), l (lead length at base), and Z (lead width at base). The middle drawing is a front view showing dimensions D (package length) and E (package width). The bottom drawing is a top view showing pin numbers 1, 7, 8, and 14.

Figure 21. SO-14 package mechanical data

Ref.	Dimensions					
	Millimeters			Inches		
	Min.	Typ.	Max.	Min.	Typ.	Max.
A			1.75			0.068
a1	0.1		0.2	0.003		0.007
a2			1.65			0.064
b	0.35		0.46	0.013		0.018
b1	0.19		0.25	0.007		0.010
C		0.5			0.019	
c1	45° (typ.)					
D	8.55		8.75	0.336		0.344
E	5.8		6.2	0.228		0.244
e		1.27			0.050	
e3		7.62			0.300	
F	3.8		4.0	0.149		0.157
G	4.6		5.3	0.181		0.208
L	0.5		1.27	0.019		0.050
M			0.68			0.026
S	8° (max.)					



6 Ordering information

Table 5. Order codes

Part number	Temperature range	Package	Packing	Marking
TL064MN TL064AMN TL064BMN	-55°C, +125°C	DIP14	Tube	TL064MN TL064AMN TL064BMN
TL064MD/MDT TL064AMD/AMDT TL064BMD/BMDT		SO-14	Tube or tape & reel	064M 064AM 064BM
TL064IN TL064AIN TL064BIN	-40°C, +105°C	DIP14	Tube	TL064IN TL064AIN TL064BIN
TL064ID/IDT TL064AID/AIDT TL064BID/BIDT		SO-14	Tube or tape & reel	064I 064AI 064BI
TL064CN TL064ACN TL064BCN	0°C, +70°C	DIP14	Tube	TL064CN TL064ACN TL064BCN
TL064CD/CDT TL064ACD/ACDT TL064BCD/BCDT		SO-14	Tube or tape & reel	064C 064AC 064BC

7 Revision history

Table 6. Document revision history

Date	Revision	Changes
13-Nov-2001	1	Initial release.
25-Jul-2007	2	Added R_{thja} , R_{thjc} and ESD values in Table 2: Operating conditions . Added Table 2: Operating conditions . Expanded Table 5: Order codes . Format update.

Please Read Carefully:

Information in this document is provided solely in connection with ST products. STMicroelectronics NV and its subsidiaries ("ST") reserve the right to make changes, corrections, modifications or improvements, to this document, and the products and services described herein at any time, without notice.

All ST products are sold pursuant to ST's terms and conditions of sale.

Purchasers are solely responsible for the choice, selection and use of the ST products and services described herein, and ST assumes no liability whatsoever relating to the choice, selection or use of the ST products and services described herein.

No license, express or implied, by estoppel or otherwise, to any intellectual property rights is granted under this document. If any part of this document refers to any third party products or services it shall not be deemed a license grant by ST for the use of such third party products or services, or any intellectual property contained therein or considered as a warranty covering the use in any manner whatsoever of such third party products or services or any intellectual property contained therein.

UNLESS OTHERWISE SET FORTH IN ST'S TERMS AND CONDITIONS OF SALE ST DISCLAIMS ANY EXPRESS OR IMPLIED WARRANTY WITH RESPECT TO THE USE AND/OR SALE OF ST PRODUCTS INCLUDING WITHOUT LIMITATION IMPLIED WARRANTIES OF MERCHANTABILITY, FITNESS FOR A PARTICULAR PURPOSE (AND THEIR EQUIVALENTS UNDER THE LAWS OF ANY JURISDICTION), OR INFRINGEMENT OF ANY PATENT, COPYRIGHT OR OTHER INTELLECTUAL PROPERTY RIGHT.

UNLESS EXPRESSLY APPROVED IN WRITING BY AN AUTHORIZED ST REPRESENTATIVE, ST PRODUCTS ARE NOT RECOMMENDED, AUTHORIZED OR WARRANTED FOR USE IN MILITARY, AIR CRAFT, SPACE, LIFE SAVING, OR LIFE SUSTAINING APPLICATIONS, NOR IN PRODUCTS OR SYSTEMS WHERE FAILURE OR MALFUNCTION MAY RESULT IN PERSONAL INJURY, DEATH, OR SEVERE PROPERTY OR ENVIRONMENTAL DAMAGE. ST PRODUCTS WHICH ARE NOT SPECIFIED AS "AUTOMOTIVE GRADE" MAY ONLY BE USED IN AUTOMOTIVE APPLICATIONS AT USER'S OWN RISK.

Resale of ST products with provisions different from the statements and/or technical features set forth in this document shall immediately void any warranty granted by ST for the ST product or service described herein and shall not create or extend in any manner whatsoever, any liability of ST.

ST and the ST logo are trademarks or registered trademarks of ST in various countries.

Information in this document supersedes and replaces all information previously supplied.

The ST logo is a registered trademark of STMicroelectronics. All other names are the property of their respective owners.

© 2007 STMicroelectronics - All rights reserved

STMicroelectronics group of companies

Australia - Belgium - Brazil - Canada - China - Czech Republic - Finland - France - Germany - Hong Kong - India - Israel - Italy - Japan - Malaysia - Malta - Morocco - Singapore - Spain - Sweden - Switzerland - United Kingdom - United States of America

www.st.com