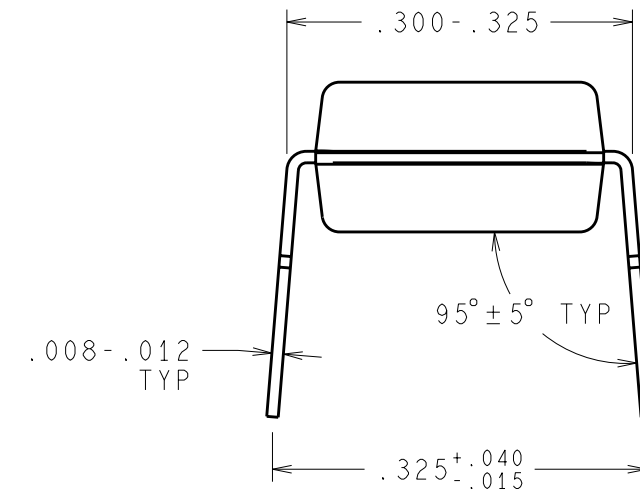
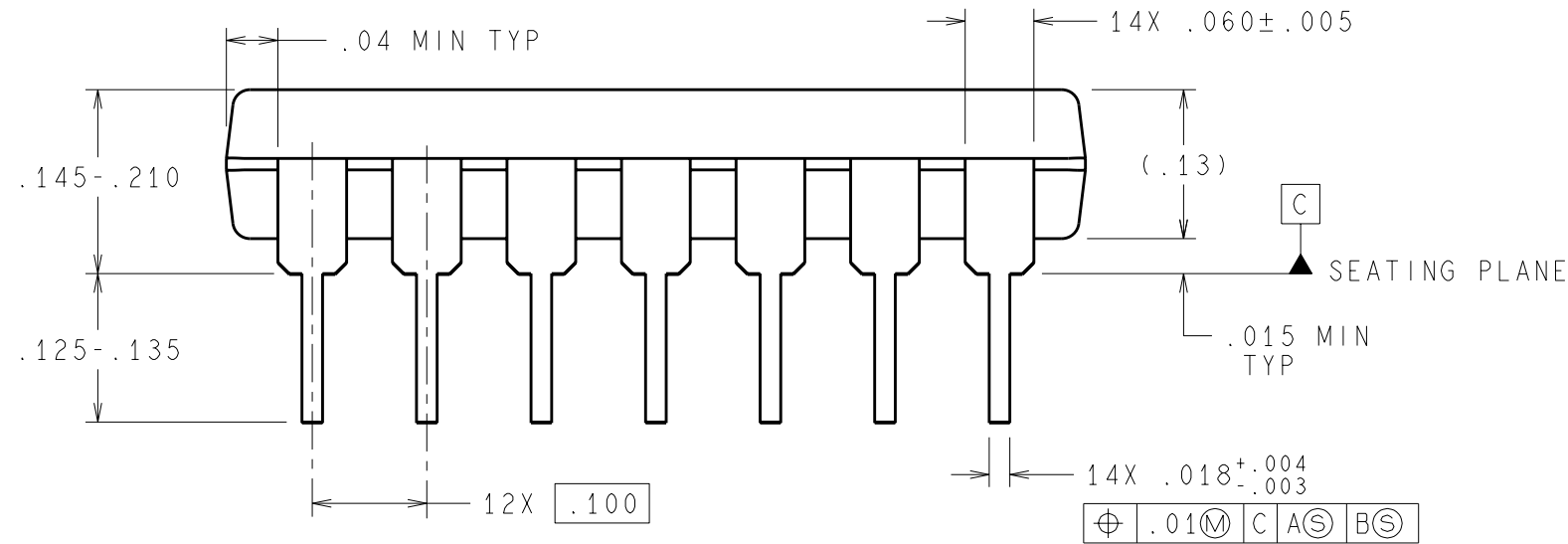
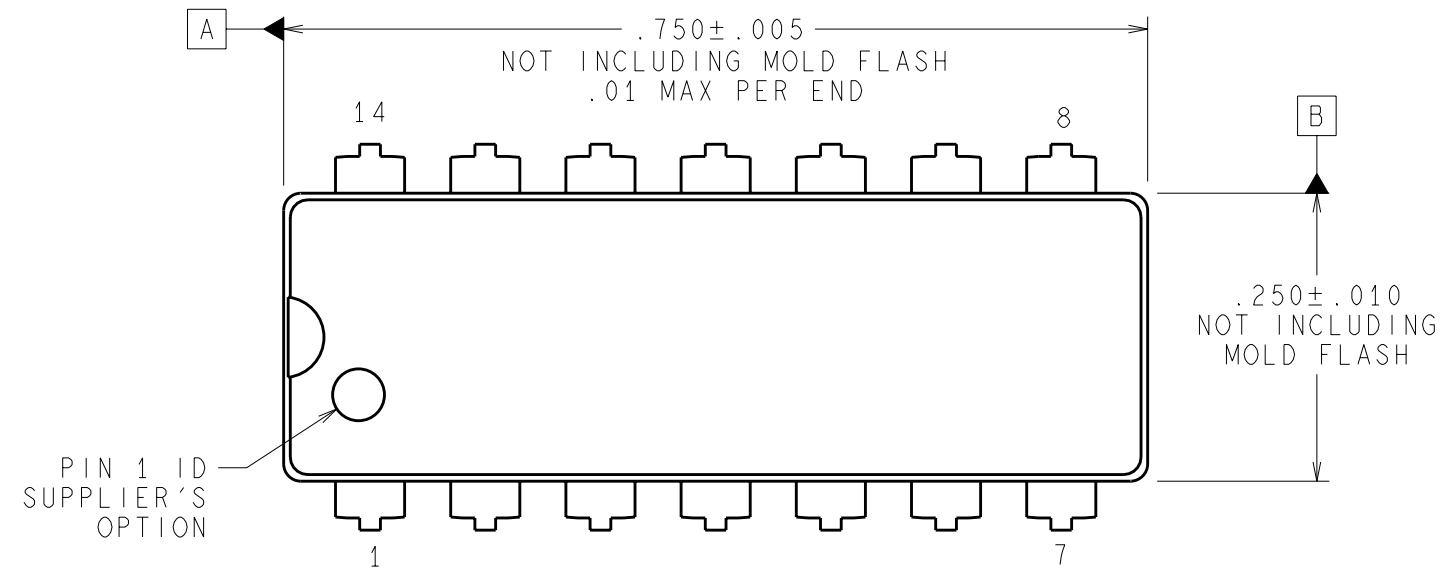


REVISIONS				
REV	DESCRIPTION	E.C.N.	DATE	BY/APP'D
G	REVISE & REDRAW PER CURRENT JEDEC REGISTRATION & STANDARDS; REVISE TITLE	2034	05/19/2006	TL/KS



NOTES: UNLESS OTHERWISE SPECIFIED

- FOR LEAD FINISH THICKNESS AND COMPOSITION, SEE "SOLDER INFORMATION" IN THE PACKAGING SECTION OF THE NATIONAL SEMICONDUCTOR WEB PAGE (www.national.com).
- REFERENCE JEDEC REGISTRATION MS-001, VARIATION AA.

DIMENSIONS ARE IN INCHES
DIMENSIONS IN () FOR REFERENCE ONLY

APPROVALS	DATE	National Semiconductor		
DRAWN F. LEQUANG	05/19/2006	2900 Semiconductor Dr., Santa Clara, CA 95052-8090		
DFTG. CHK. MARTA SUCHY	05/19/2006	MDIP, .750x.250x.130in, 14 LEAD, .100in PITCH		
ENGR. CHK. KURT SINCERBOX	05/19/2006			
PROJECTION	SCALE	SIZE	DRAWING NUMBER	REV
	NTS	B	(SC)MKT-N14A	G
INCH	FORMERLY: N/A	SHEET 1 of 1		