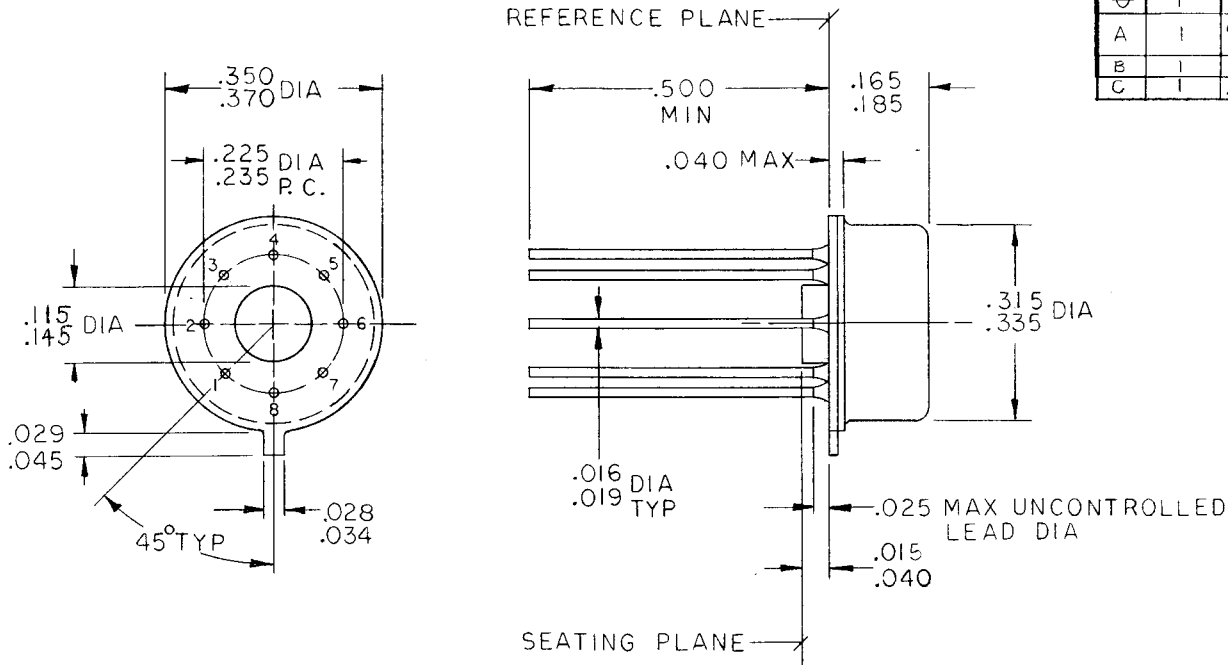



REVISIONS

REV.	SHEET	DESCRIPTION	E.C.O.	DATE	APPROVED
⊕	1	NEW DRAWING	Dob85	10-23-73	
A	1	CHANGED .010/.040 TO .015/.090, NOTE 2.	06264	11-4-81	<i>Peak</i>
B	1	DELETED NGTE 2, ADDED NEW NOTE 2	00431	8-18-83	<i>W. J. ...</i>
C	1	Ø.115-.145 WAS .120-.140	06271	9-26-85	<i>...</i>



- STANDARD HEADER TYPE:  
FORMED BASE WITH CERAMIC  
STANDOFF
- APPLIES TO MIL\_AERO AND LINEAR PRODUCTS.

MIL\_AERO  
CONFIGURATION CONTROL

<b>COMPANY PRIVATE</b>				 <b>National Semiconductor Corporation</b> 2900 Semiconductor Drive, Santa Clara, Calif. 95051	
DRAWN: J.MACIEL	DATE: 10-23-73	APPROVED:	DATE:	8 LEAD, .230 DIA P.C. METAL CAN PACKAGE (H)	
CHECKED: <i>...</i>	DATE: 5/14/74	APPROVED:	DATE:		
ENGINEER: <i>...</i>	DATE: 5/24/74	RELEASED:	DATE:	<b>B</b> MKT-H08A <span style="float: right;"><b>C</b></span>	
SHEET 1 OF 1					