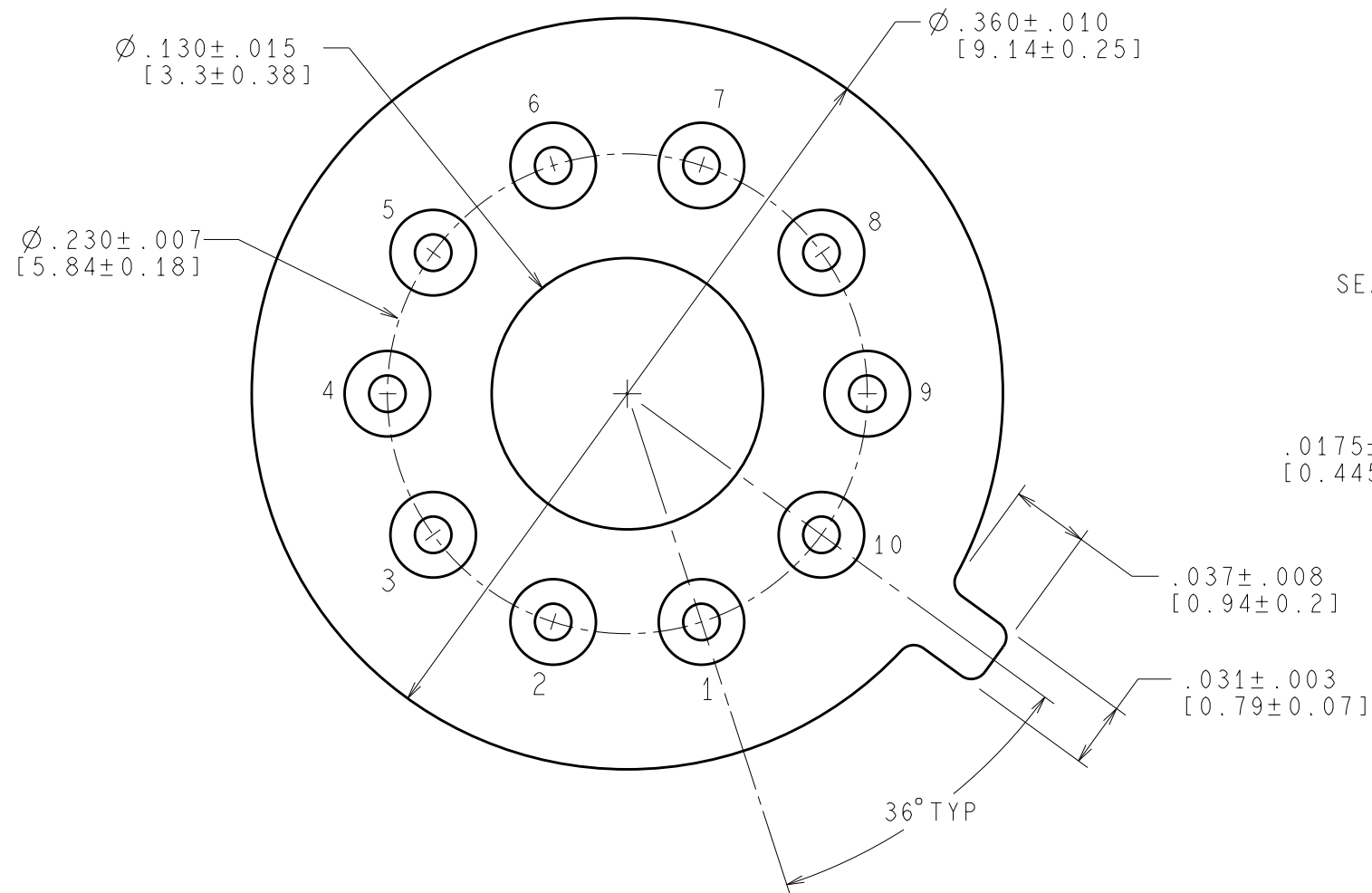
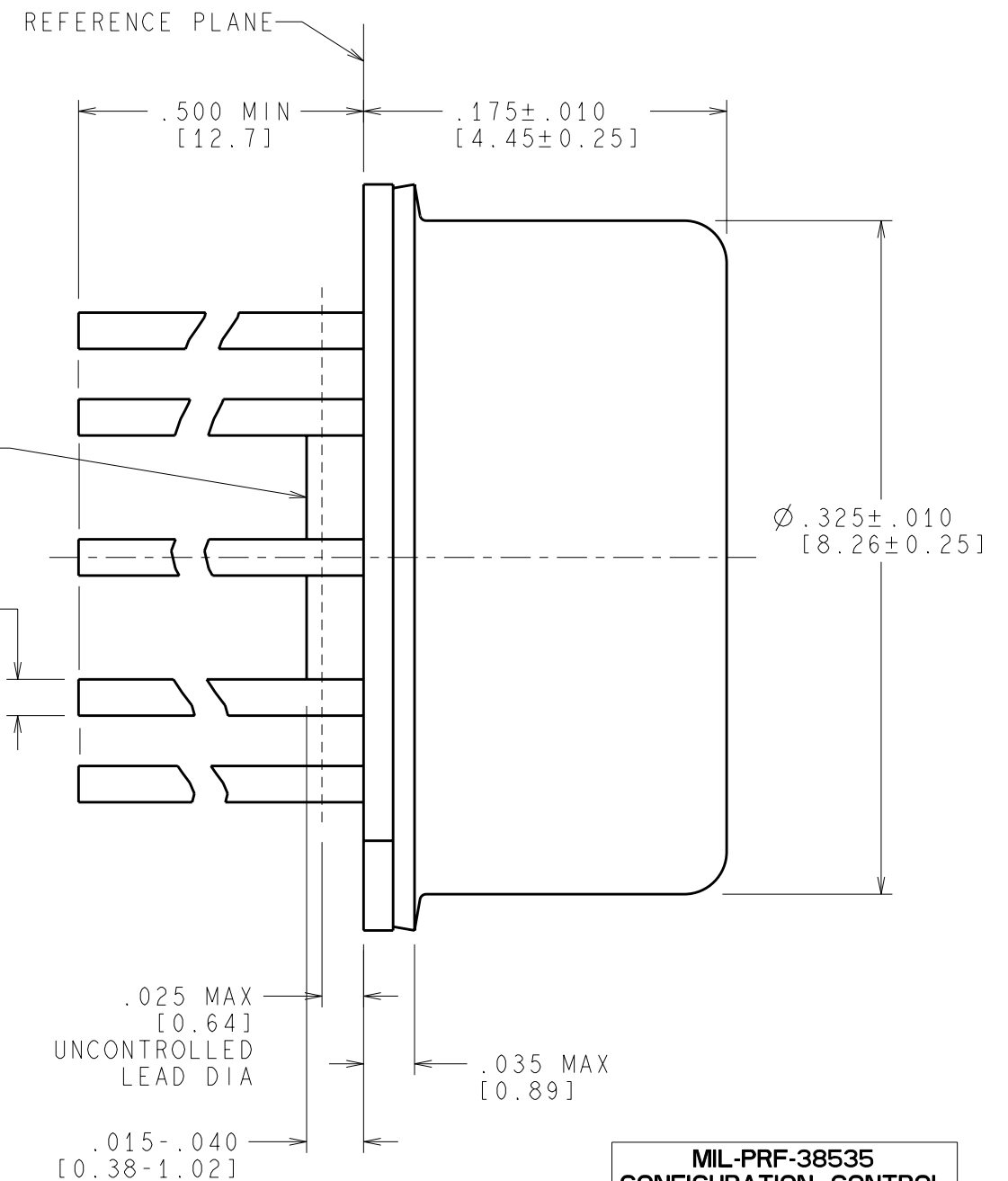


REVISIONS				
REV	DESCRIPTION	E.C.N.	DATE	BY/APP'D
F	REVISE & REDRAW PER CURRENT STANDARD; UPDATE MIL/AERO STAMP & TITLE.	11003	06/26/1995	MS/GY
G	ADD TOLERANCE TO DIM. .230 +/- .007	2630	11/05/2008	TL/JL



CONTROLLING DIMENSION IS INCH
VALUES IN [] ARE IN MILLIMETERS



MIL-PRF-38535
CONFIGURATION CONTROL

NOTES: UNLESS OTHERWISE SPECIFIED

- LEADS TO BE LOCATED WITHIN .007 IN/ 0.18 mm OF THEIR TRUE POSITIONS RELATIVE TO A MAXIMUM WIDTH TAB.
- STANDARD METAL CAN TYPE: SOLID BASE WITH CERAMIC STANDOFF.
- APPLIES TO MIL-AERO AND LINEAR PRODUCTS.
- REFERENCE JEDEC REGISTRATION TO-100, JEDEC PUBLICATION No.95.

APPROVALS	DATE	 National Semiconductor 2900 Semiconductor Dr., Santa Clara, CA 95052-8090		
DRAWN MARTA SUCHY	06/26/1995			
DFTG. CHK. KURT SINCERBOX	11/05/2008			
ENGR. CHK. JOE LUNDY	11/05/2008			
METAL CAN, TO-100, 10 LEAD, .230 DIA P.C.				
PROJECTION	SCALE	SIZE	DRAWING NUMBER	REV
	NTS	B	(SC)MKT-H10C	G
FORMERLY: N/A		SHEET 1 of 1		