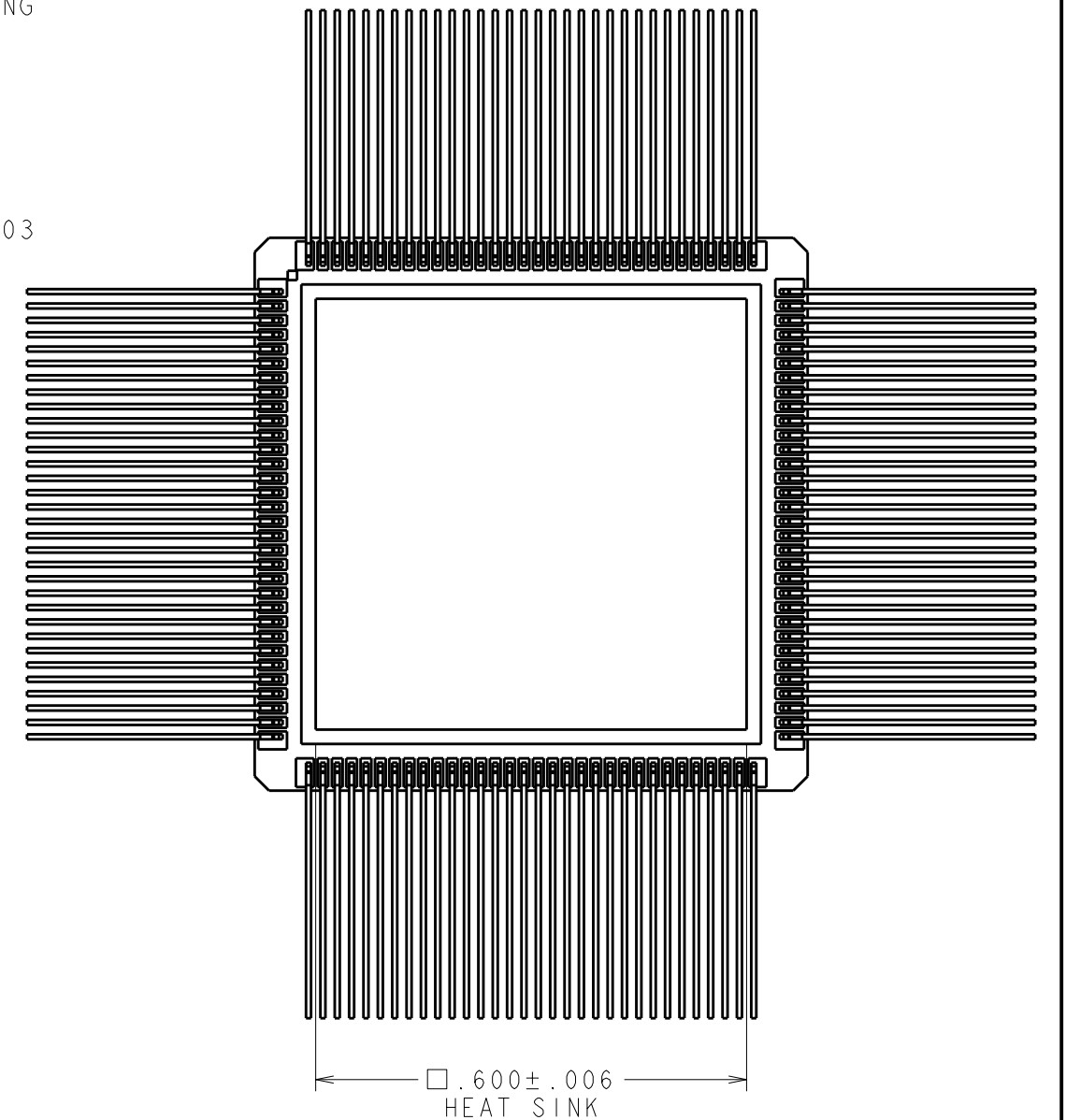
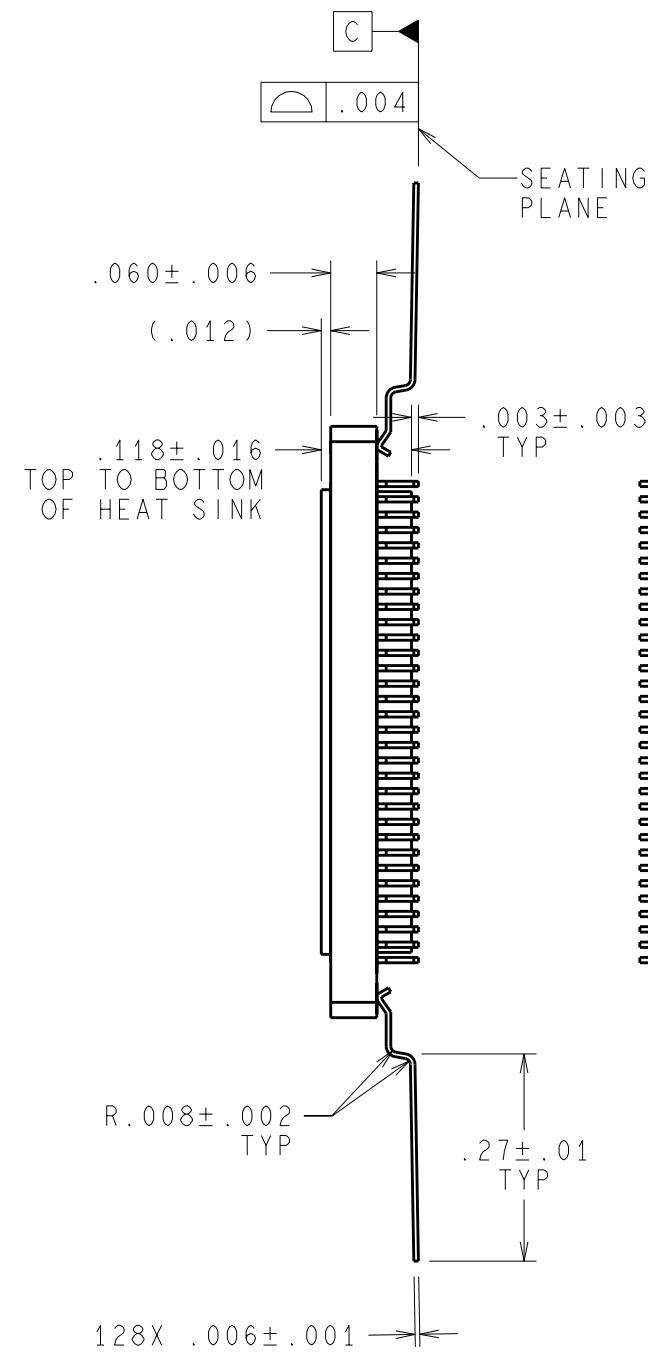
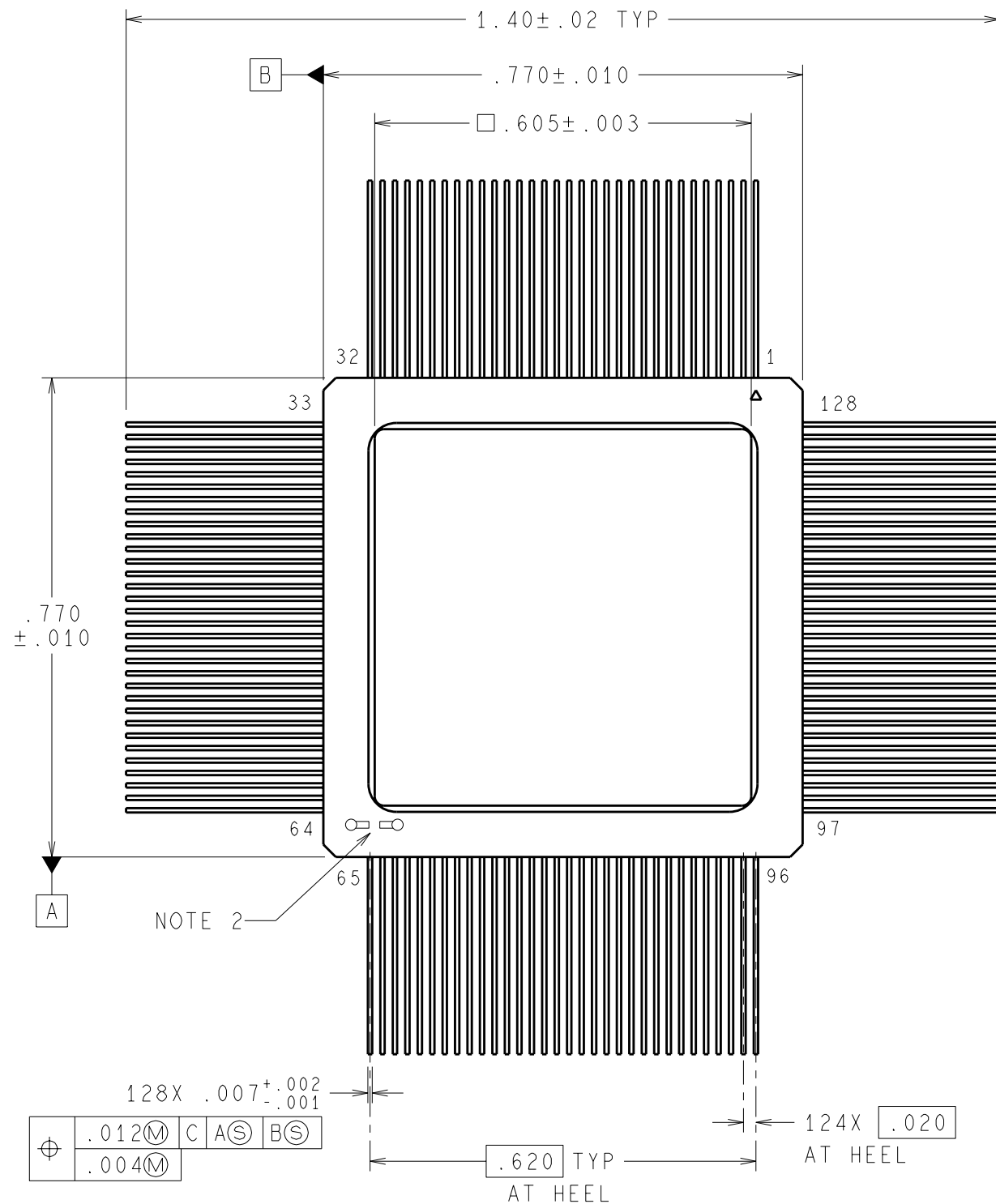


REVISIONS				
REV	DESCRIPTION	E.C.N.	DATE	BY/APP'D
A	RELEASE TO DOCUMENT CONTROL	2018	02/15/2006	TL/JL
B	ADD CONTACT MARK & NEW NOTE 2; RENUMBER NOTES	2425	12/19/2007	TL/JL



NOTES: UNLESS OTHERWISE SPECIFIED

- ALL EXPOSED METAL AND METALIZED AREAS TO BE PLATED 100 MICROINCHES MINIMUM GOLD OVER 100 TO 350 MICROINCHES NICKEL.
- PROBE CONTACT MARK ON CUTTING PATTERN TO BE ACCEPTABLE. CUT AFTER GOLD PLATING (VISUAL SPEC NOT APPLIED).
- NO JEDEC REGISTRATION AS OF DECEMBER 2007.

**DIMENSIONS ARE IN INCHES**  
DIMENSIONS IN ( ) FOR REFERENCE ONLY

**MIL-PRF-38535**  
**CONFIGURATION CONTROL**

APPROVALS	DATE	 National Semiconductor 2900 Semiconductor Dr., Santa Clara, CA 95052-8090
DRAWN <b>T. LEQUANG</b>	02/15/2006	
DFTG. CHK. KURT SINCERBOX	12/19/2007	<b>CERAMIC QUAD GULLWING PKG,</b> <b>.770x.770x.118in,</b> <b>128 LD, .020in PITCH</b>
ENGR. CHK. JOE LUNDY	12/19/2007	
PROJECTION  1 INCH		SCALE <b>NTS</b>
SIZE <b>B</b>		DRAWING NUMBER <b>(SC)MKT-EM128A</b>
FORMERLY: N/A		REV <b>B</b>