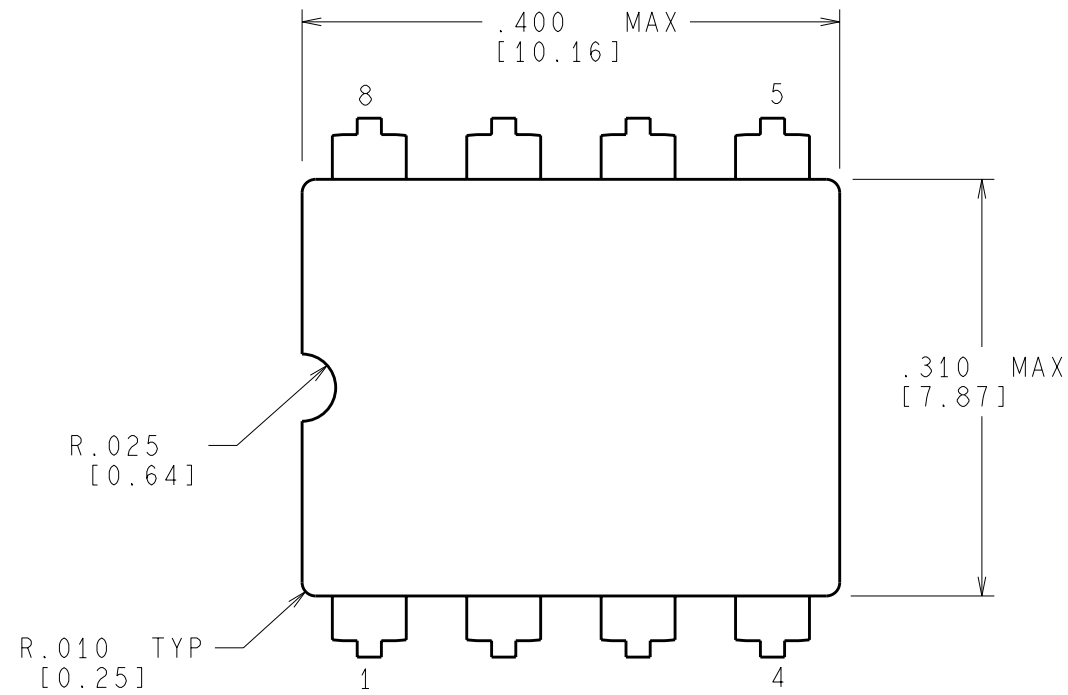
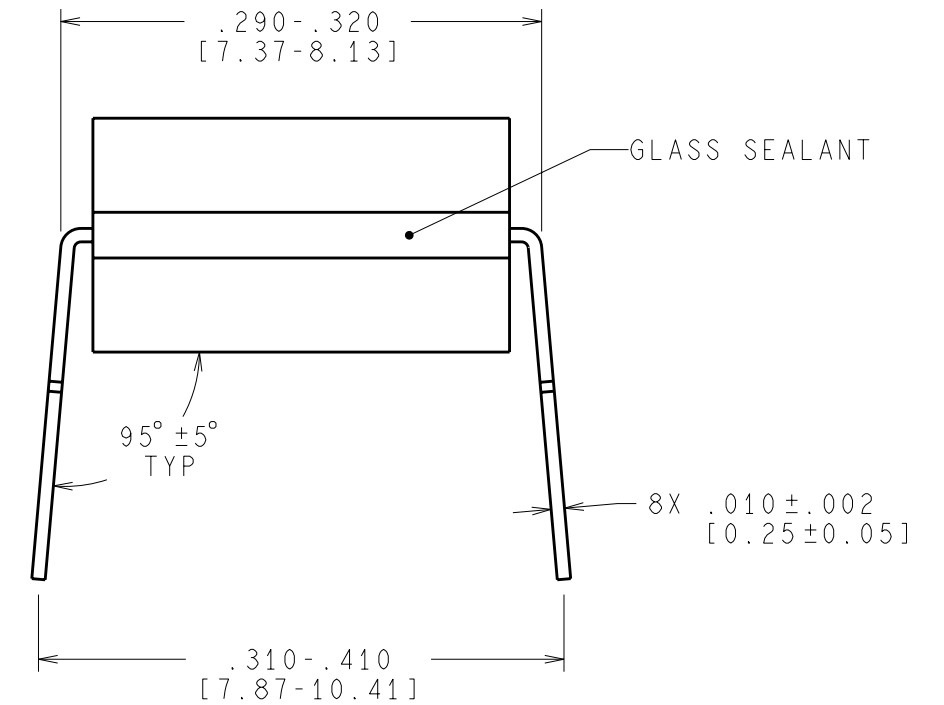
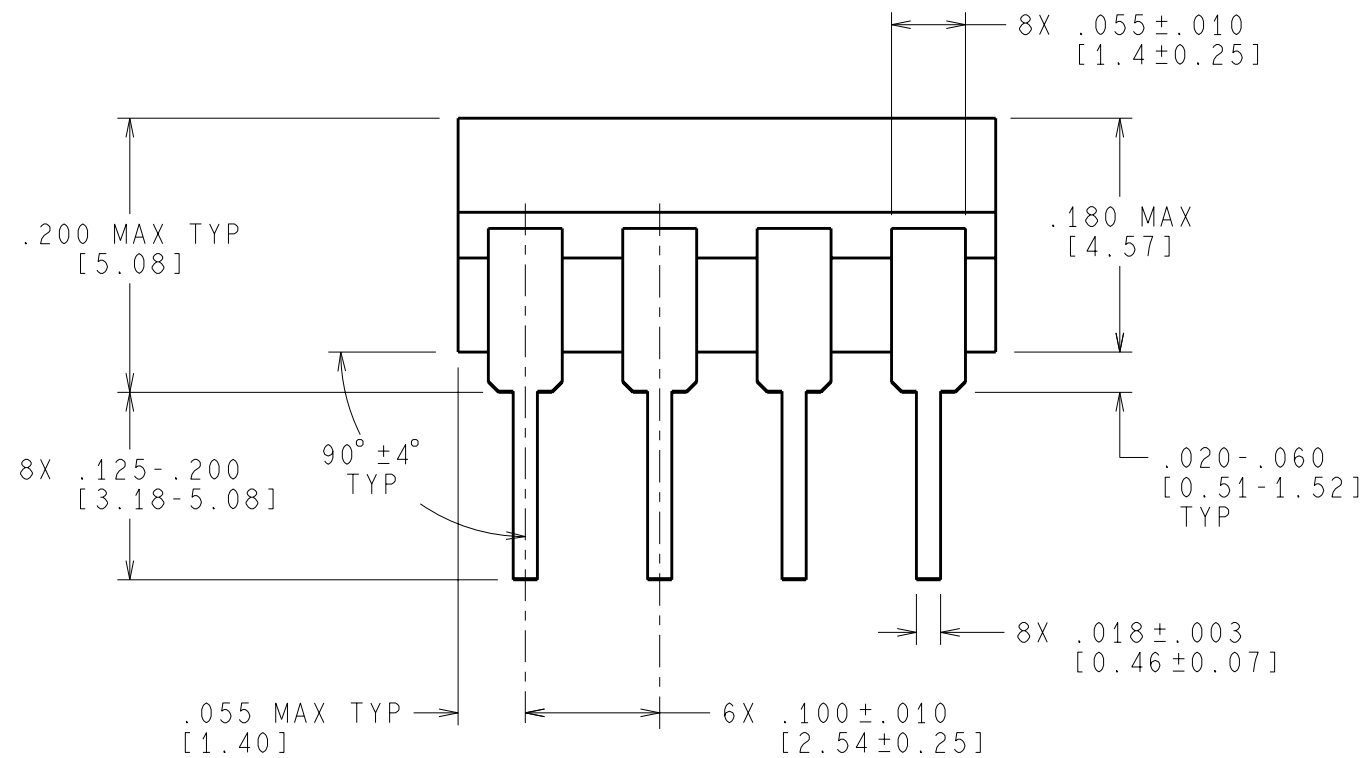


REVISIONS				
REV	DESCRIPTION	E.C.N.	DATE	BY/APP'D
L	REVISE & REDRAW PER CURRENT STD	10002	09/21/1993	TL/SC
M	REVISE & REDRAW PER CURRENT STD; REVISE TITLE	747	07/23/2002	TL/CD



**CONTROLLING DIMENSION IS INCH
 VALUES IN [] ARE MILLIMETERS**



NOTES: UNLESS OTHERWISE SPECIFIED

- LEAD FINISH TO BE 200 MICROINCHES [5.08 MICROMETERS] MINIMUM SOLDER MEASURED AT THE CREST OF THE MAJOR FLATS.
- NO JEDEC REGISTRATION AS OF JULY 2002.

**MIL-STD-1835B
 CONFIGURATION CONTROL**

**MIL-PRF-38535
 CONFIGURATION CONTROL**

APPROVALS	DATE	 National Semiconductor 2900 Semiconductor Dr., Santa Clara, CA 95052-8090
DRAWN T. LEQUANG	07/23/2002	
DTG. CHK. MARTA SUCHY	07/23/2002	
ENGR. CHK. CORNEL DEVERA	07/23/2002	
PROJECTION 		SCALE NTS
INCH (MM)		SIZE B
		DRAWING NUMBER (SC)MKT-J08A
		REV M
		FORMERLY: N/A
		SHEET 1 of 1