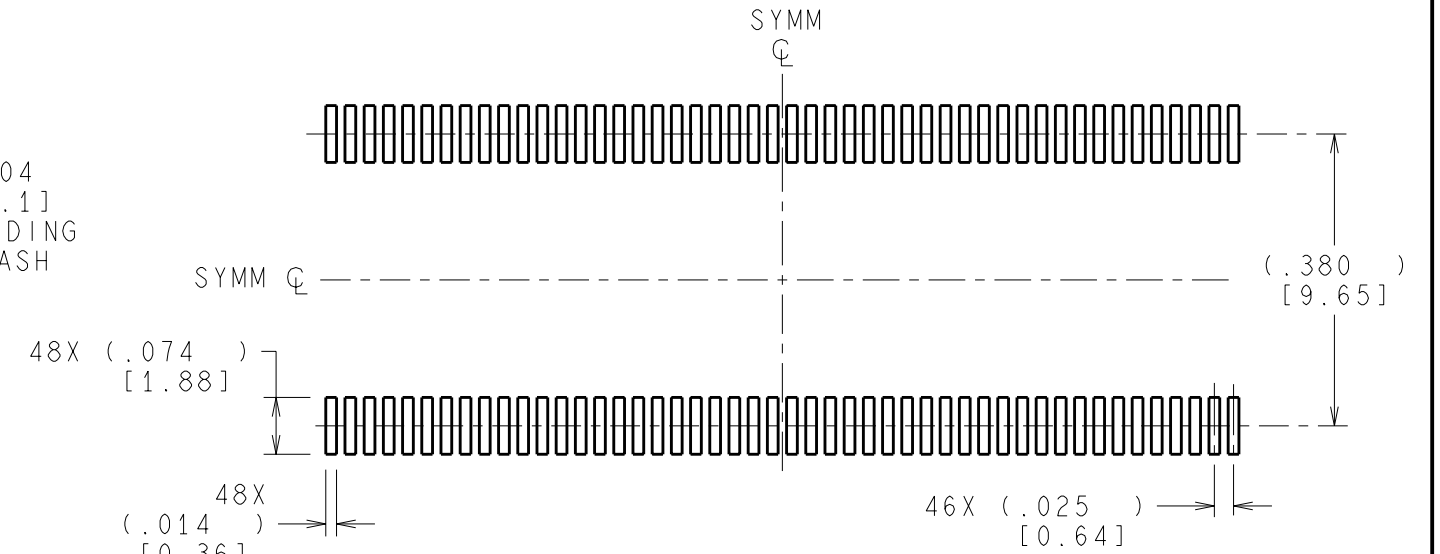
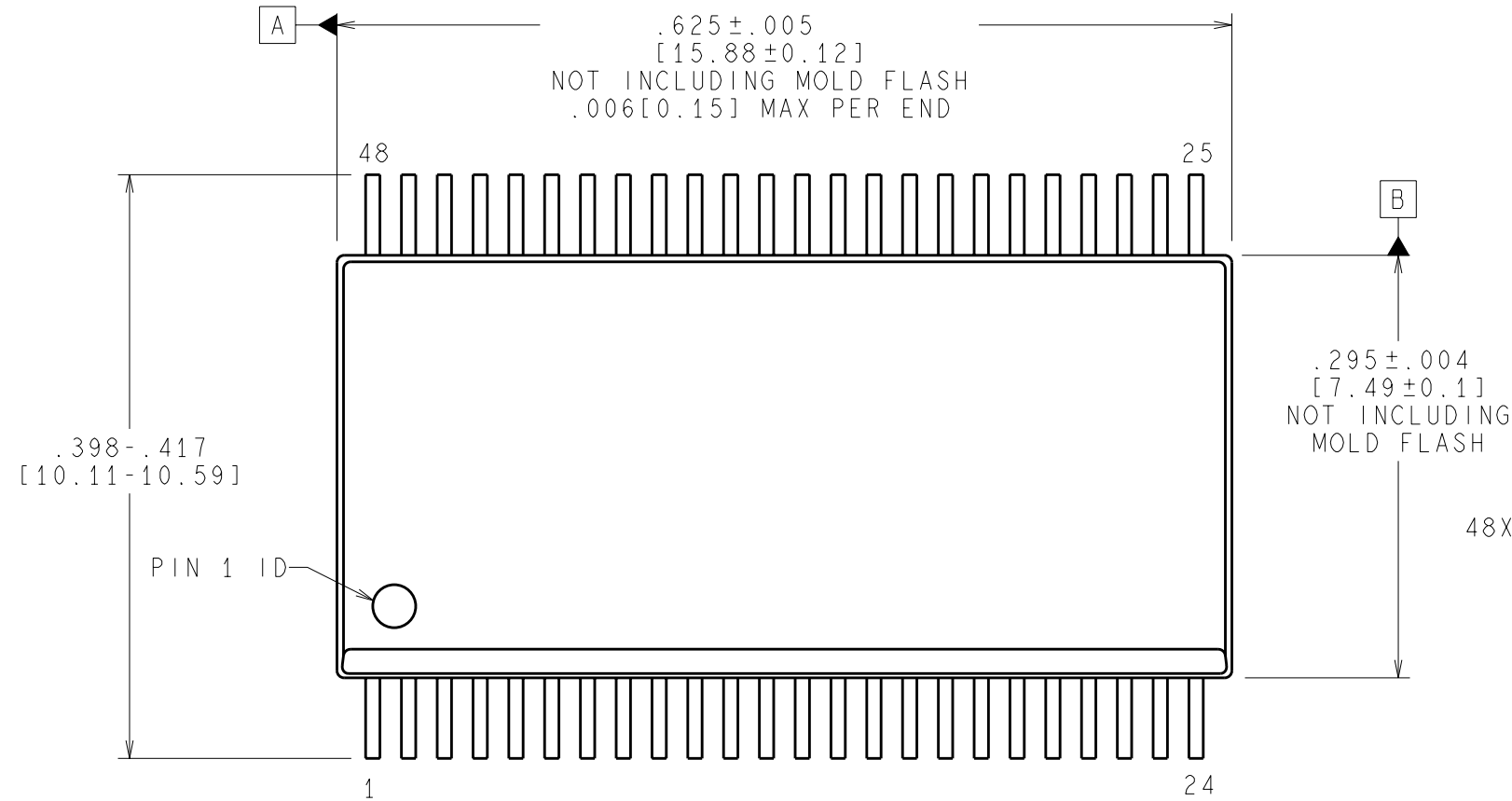
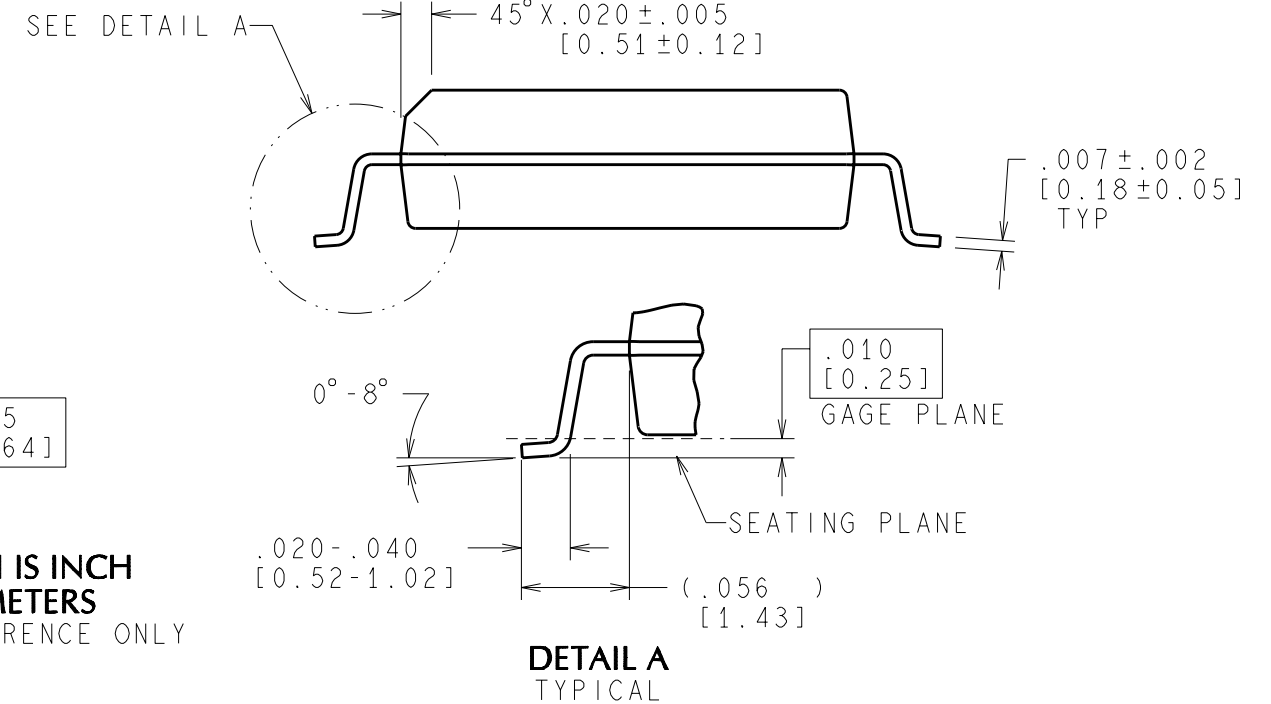
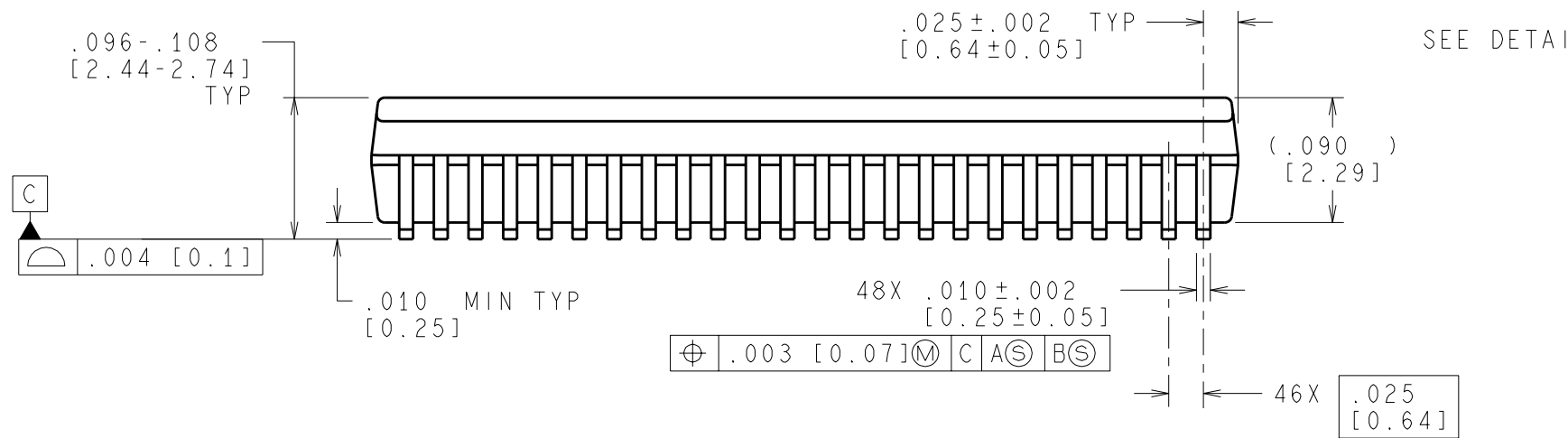


REVISIONS				
REV	DESCRIPTION	E.C.N.	DATE	BY/APP'D
F	REVISE PER CURRENT STANDARDS; REDRAW IN PRO/E ON "B" SIZE FORMAT.	1861	09/21/2005	MS/RW



RECOMMENDED LAND PATTERN



CONTROLLING DIMENSION IS INCH  
VALUES IN [ ] ARE MILLIMETERS  
DIMENSIONS IN ( ) FOR REFERENCE ONLY

NOTES: UNLESS OTHERWISE SPECIFIED

- FOR LEAD FINISH THICKNESS AND COMPOSITION, SEE "SOLDER INFORMATION" IN THE PACKAGING SECTION OF THE NATIONAL SEMICONDUCTOR WEB PAGE ([www.national.com](http://www.national.com)).
- REFERENCE JEDEC REGISTRATION MO-118, VARIATION AA.

APPROVALS	DATE	National Semiconductor 2900 Semiconductor Dr., Santa Clara, CA 95052-8090		
DRAWN MARTA SUCHY	09/21/2005			
DFTG. CHK. THANH LEQUANG	09/21/2005	SSOP, .295x.625x.09in, 48 LD,.025in PITCH		
ENGR. CHK. RANDALL WALBERG	09/21/2005			
PROJECTION	SCALE	SIZE	DRAWING NUMBER	REV
	NTS	B	(SC)MKT-MS48A	F
FORMERLY: N/A		SHEET 1 of 1		