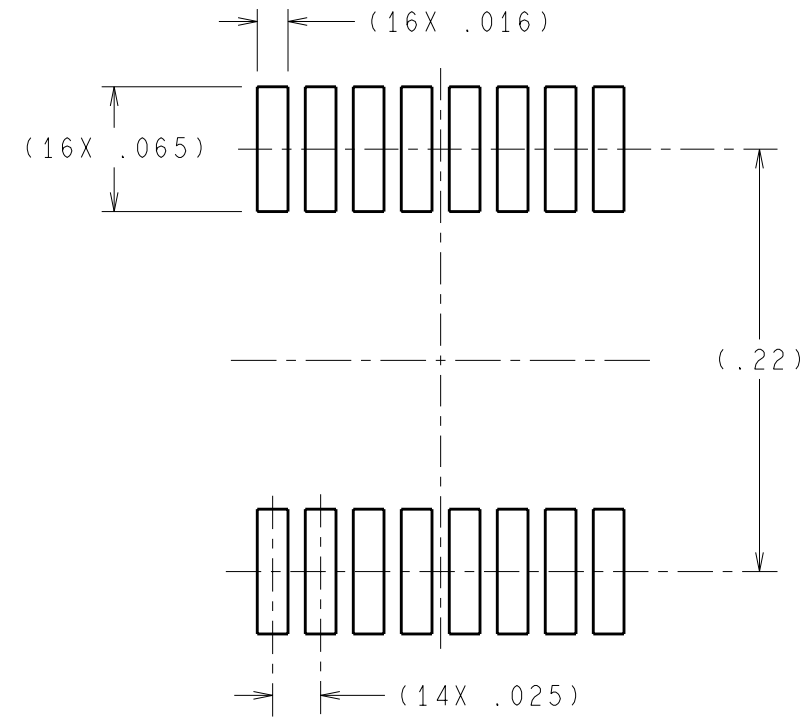
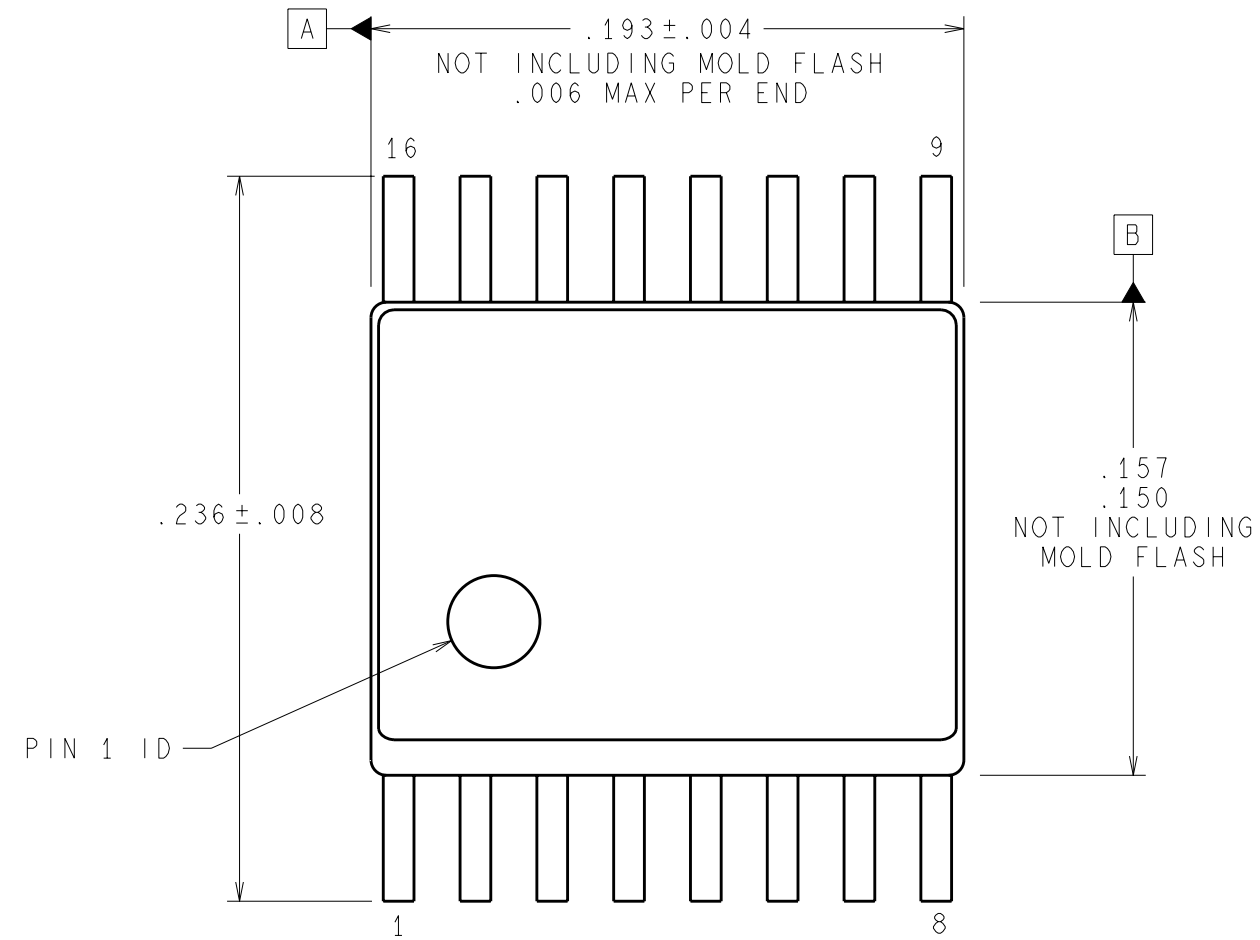
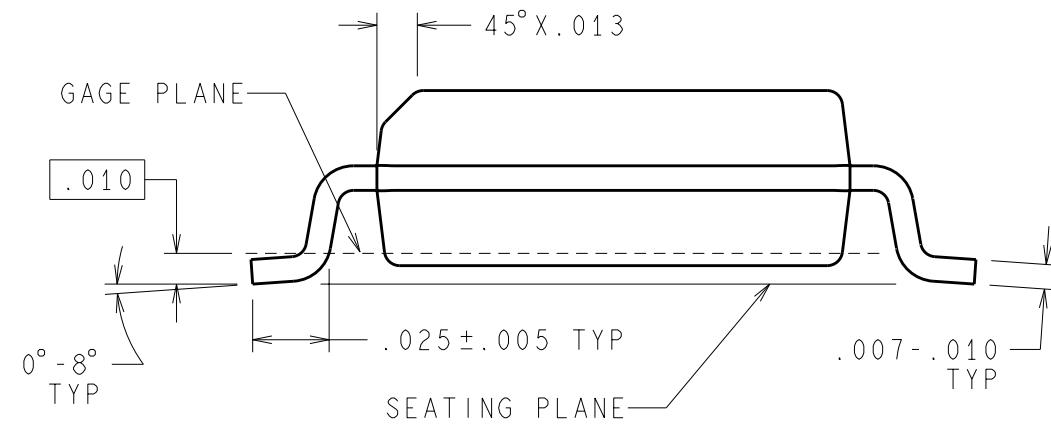
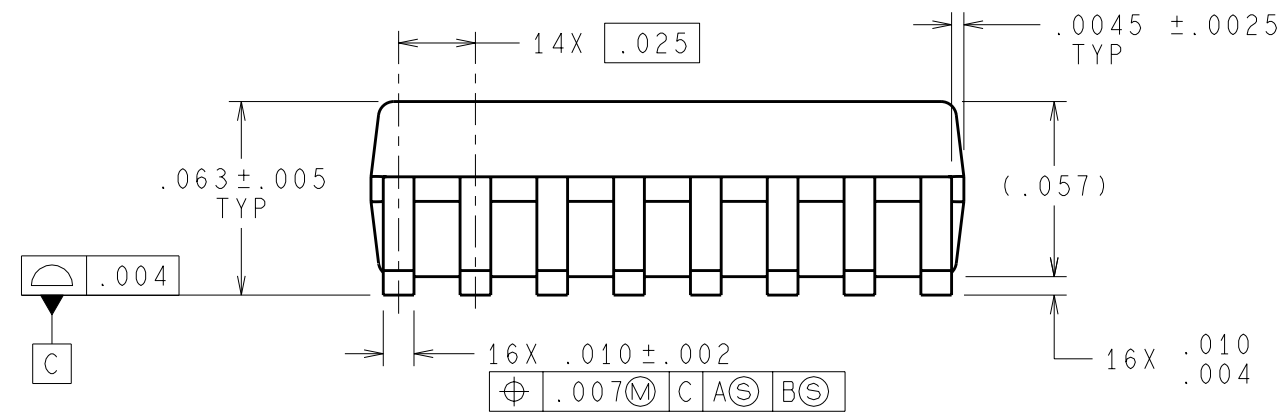


REVISIONS				
REV	DESCRIPTION	E.C.N.	DATE	BY/APP'D
A	RELEASE TO DOCUMENT CONTROL	10758	12/21/1994	TL/DM
B	ADD LAND PATTERN; REFORMAT DWG TO CURRENT STDS	1684	01/17/2005	TL/RW



RECOMMENDED LAND PATTERN



NOTES: UNLESS OTHERWISE SPECIFIED

- FOR LEAD FINISH THICKNESS AND COMPOSITION, SEE "SOLDER INFORMATION" IN THE PACKAGING SECTION OF THE NATIONAL SEMICONDUCTOR WEB PAGE (www.national.com).
- REFERENCE JEDEC REGISTRATION MO-137, VARIATION AB.

DIMENSIONS ARE IN INCHES
DIMENSIONS IN () FOR REFERENCE ONLY

APPROVALS	DATE	 2900 Semiconductor Dr., Santa Clara, CA 95052-8090
DRAWN LEQUANG	12/21/1994	
DFTG. CHK. MARTA SUCHY	01/17/2005	
ENGR. CHK. RANDALL WALBERG	01/17/2005	
PROJECTION INCH		SCALE NTS
		SIZE B
		DRAWING NUMBER (SC)MKT-MQA16
		REV B
		FORMERLY: N/A
		SHEET 1 of 1

SSOP,
.150 BODY WIDTH,
16 LD, .025 PITCH