

**ebm-papst St. Georgen GmbH & Co. KG**

Hermann-Papst-Straße 1

74673 St. Georgen

Phone: +49 7724 81-0

Fax: +49 7724 81-1309

www.ebmpapst.com

info2@de.ebmpapst.com

Nominal data

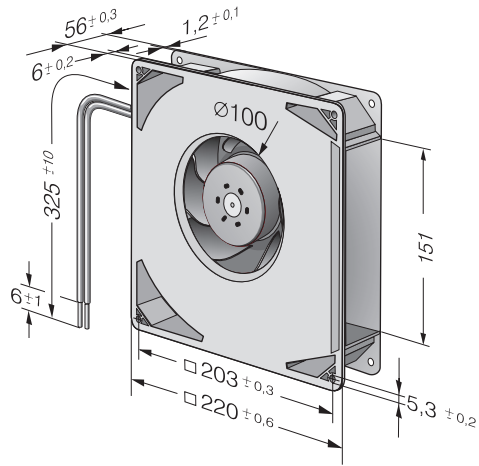
Type	RG 160-28/18 NTDA	
Nominal voltage	[VDC]	48
Speed	[min ⁻¹]	4200
Power input	[W]	59.0
Min. ambient temperature	[°C]	-20
Max. ambient temperature	[°C]	70
Air flow	[m ³ /h]	308
Sound power level	[B]	7.5

ml = max. load · me = max. efficiency · rfa = running at free air · cs = customer specs · cu = customer unit
Subject to alterations

Technical features

Dimensions	220 x 220 x 56 mm
General description	The X in the designation stands for a customer-specific, custom-developed variant. The data specified here are technically feasible benchmark values. The fans can be specially adapted to your applications with signal outputs and control inputs.
Connection line	Flat plugs 6.3 x 0.8 mm for ground line.
Direction of air flow	Axial air intake, centrifugal air exhaust out of the outlet.
Bearing	Ball bearings
Lifetime L10 at 40 °C	55000 h
Mass	1.400 kg
Housing material	Scroll housing of fiberglass-reinforced plastic, housing base of sheet steel.
Material of impeller	Fiberglass-reinforced plastic
Motor protection	Protected against reverse polarity and locking.
Approval	VDE, CSA, UL, CE

Product drawing



Charts: Air flow

