

**ebm-papst St. Georgen GmbH & Co. KG**

Hermann-Papst-Straße 1

74673 St. Georgen

Phone: +49 7724 81-0

Fax: +49 7724 81-1309

www.ebmpapst.com

info2@de.ebmpapst.com

Nominal data

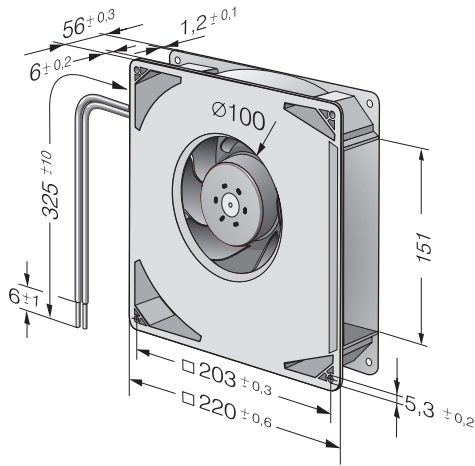
Type	RG 160-28/14 NTDH	
Nominal voltage	[VDC]	24
Speed	[min ⁻¹]	5000
Power input	[W]	101
Min. ambient temperature	[°C]	-20
Max. ambient temperature	[°C]	60
Air flow	[m ³ /h]	370
Sound power level	[B]	7.8

ml = max. load · me = max. efficiency · rfa = running at free air · cs = customer specs · cu = customer unit
Subject to alterations

Technical features

Dimensions	220 x 220 x 56 mm
General description	Very smooth running 3-phase fan drive. Very high pressure build-up. Backward curved impeller. Electronic commutation completely integrated.
Connection line	Single strands AWG 22, TR 64, bared and tin-plated.
Direction of air flow	Axial air intake, centrifugal air exhaust out of the outlet.
Bearing	Ball bearings
Lifetime L10 at 40 °C	50000 h
Mass	1.400 kg
Housing material	Scroll housing of fiberglass-reinforced plastic. Housing base of sheet steel.
Material of impeller	Fiberglass-reinforced plastic
Approval	VDE, CSA, UL

Product drawing



Charts: Air flow

