

RG 125-19/18 NH

DC centrifugal compact fan

single inlet



ebm-papst St. Georgen GmbH & Co. KG

Hermann-Papst-Straße 1

74673 St. Georgen

Phone: +49 7724 81-0

Fax: +49 7724 81-1309

www.ebmpapst.com

info2@de.ebmpapst.com

Nominal data

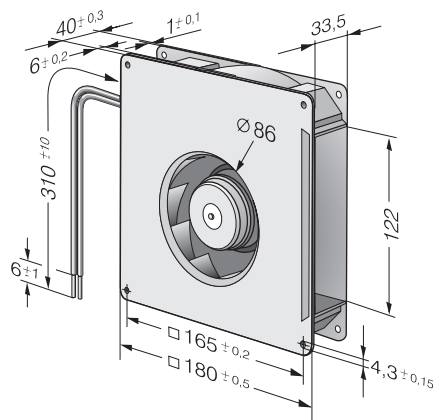
| Type | RG 125-19/18 NH | |
|--------------------------|----------------------|------|
| Nominal voltage | [VDC] | 48 |
| Speed | [min ⁻¹] | 4000 |
| Power input | [W] | 19 |
| Min. ambient temperature | [°C] | -20 |
| Max. ambient temperature | [°C] | 70 |
| Air flow | [m ³ /h] | 137 |
| Sound power level | [B] | 7 |

ml = max. load · me = max. efficiency · rfa = running at free air · cs = customer specs · cu = customer unit
Subject to alterations

Technical features

| | |
|--|---|
| Dimensions | 180 x 180 x 40 mm |
| General description | Optional Vario-Pro: Highly flexible software configuration for the fan ensures an easily customizable solution to meet the individual requirements of your application. Backward curved impeller. Electronic commutation completely integrated. |
| Connection line | Flat plugs 6.3 x 0.8 mm, bared and tin-plated. |
| Direction of air flow | Axial air intake, centrifugal air exhaust out of the outlet. |
| Bearing | Ball bearings |
| Lifetime L10 at 40 °C | 55000 h |
| Lifetime L10 at maximum temperature | 27500 h |
| Mass | 0.730 kg |
| Housing material | Scroll housing of fiberglass-reinforced plastic, housing base of sheet steel. |
| Material of impeller | Fiberglass-reinforced plastic |
| Motor protection | Protected against reverse polarity and locking. |

Product drawing



Charts: Air flow

