

RL 90-18/14 NG

# DC centrifugal compact fan

single inlet



## ebm-papst St. Georgen GmbH & Co. KG

Hermann-Papst-Straße 1

74673 St. Georgen

Phone: +49 7724 81-0

Fax: +49 7724 81-1309

www.ebmpapst.com

info2@de.ebmpapst.com

## Nominal data

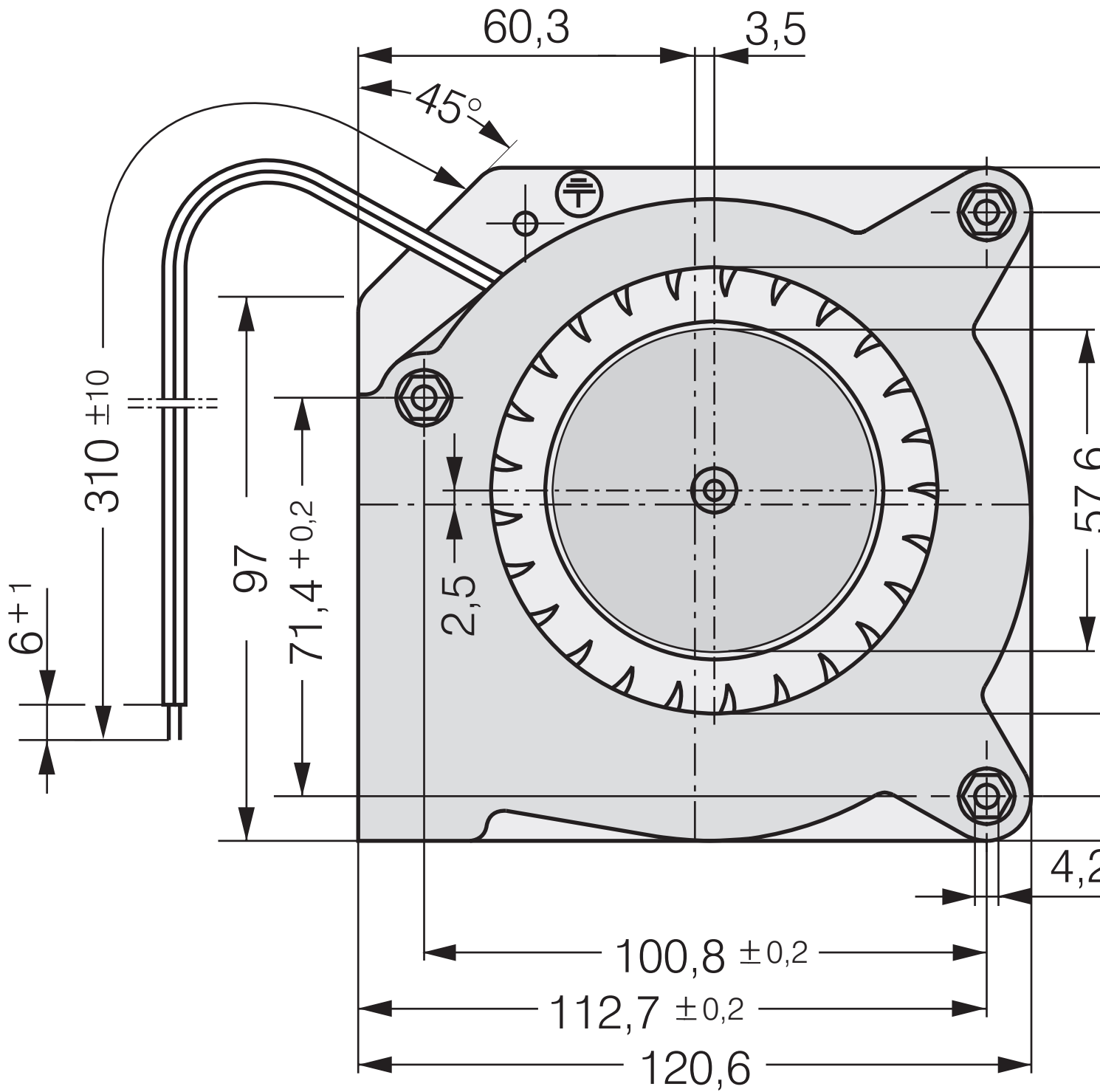
Type	RL 90-18/14 NG	
Nominal voltage	[VDC]	24
Speed	[min <sup>-1</sup> ]	2500
Power input	[W]	5.0
Min. ambient temperature	[°C]	-10
Max. ambient temperature	[°C]	75
Air flow	[m <sup>3</sup> /h]	40
Sound power level	[B]	5.8

ml = max. load · me = max. efficiency · rfa = running at free air · cs = customer specs · cu = customer unit  
Subject to alterations

**Technical features**

<b>Dimensions</b>	121 x 121 x 37 mm
<b>General description</b>	Optional Vario-Pro: Highly flexible software configuration for the fan ensures an easily customizable solution to meet the individual requirements of your application. Forward-curved impeller. Electronic commutation completely integrated.
<b>Connection line</b>	Single strands AWG 22, TR 64, bared and tin-plated.
<b>Locked-rotor protection</b>	Blocking and overload protection
<b>Direction of air flow</b>	Axial air intake, centrifugal air exhaust out of the outlet.
<b>Bearing</b>	Sintec sleeve bearing
<b>Lifetime L10 at 40 °C</b>	62500 h
<b>Lifetime L10 at maximum temperature</b>	27500 h
<b>Mass</b>	0.420 kg
<b>Housing material</b>	Scroll housing of fiberglass-reinforced plastic, housing base of sheet steel.
<b>Material of impeller</b>	Fiberglass-reinforced plastic
<b>Motor protection</b>	Protected against reverse polarity and locking.
<b>Approval</b>	VDE, CSA, UL, CE

Product drawing



\*Federmutter M4 oder 8-32UNC. Ein

\*Speed nut M4 or 8-32UNC. Screw-i

Charts: Air flow

