

RL 65-21/12H

DC centrifugal compact fan

single inlet



ebm-papst St. Georgen GmbH & Co. KG

Hermann-Papst-Straße 1

74673 St. Georgen

Phone: +49 7724 81-0

Fax: +49 7724 81-1309

www.ebmpapst.com

info2@de.ebmpapst.com

Nominal data

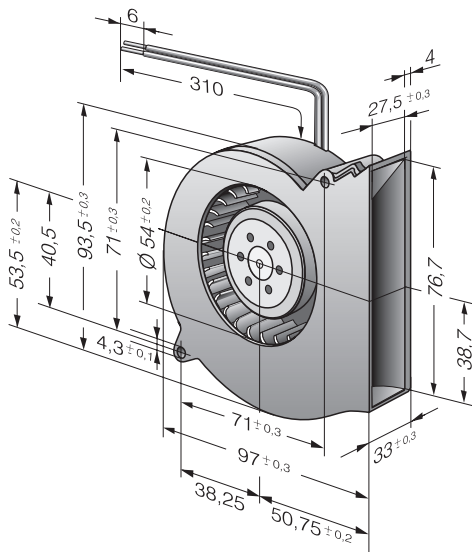
Type	RL 65-21/12H	
Nominal voltage	[VDC]	12
Speed	[min ⁻¹]	4900
Power input	[W]	19.2
Min. ambient temperature	[°C]	-20
Max. ambient temperature	[°C]	55
Air flow	[m ³ /h]	61
Sound power level	[B]	6.8

ml = max. load · me = max. efficiency · rfa = running at free air · cs = customer specs · cu = customer unit
Subject to alterations

Technical features

Dimensions	97 x 93.5 x 33 mm
General description	Optional Vario-Pro: Highly flexible software configuration for the fan ensures an easily customizable solution to meet the individual requirements of your application. Pressure-optimized blower. Noise-optimized air outlet in the scroll housing. Forward-curved impeller. Integrated contact latch for efficient installation. Electronic commutation completely integrated.
Connection line	Single strands AWG 24, TR 64, bared and tin-plated.
Direction of air flow	Axial air intake, centrifugal air exhaust out of the outlet.
Bearing	Ball bearings
Lifetime L10 at 40 °C	55000 h
Lifetime L10 at maximum temperature	37500 h
Mass	0.170 kg
Housing material	Scroll housing of fiberglass-reinforced plastic.
Material of impeller	Fiberglass-reinforced plastic
Motor protection	Protected against reverse polarity and locking.

Product drawing



Charts: Air flow

