

W1G208-BA35-52

EC diagonal compact fan

sickled blades (S series)



ebm-papst Mulfingen GmbH & Co. KG

Bachmühle 2

74673 Mulfingen

Phone: +49 7938 81-0

Fax: +49 7938 81-110

www.ebmpapst.com

info1@de.ebmpapst.com

Nominal data

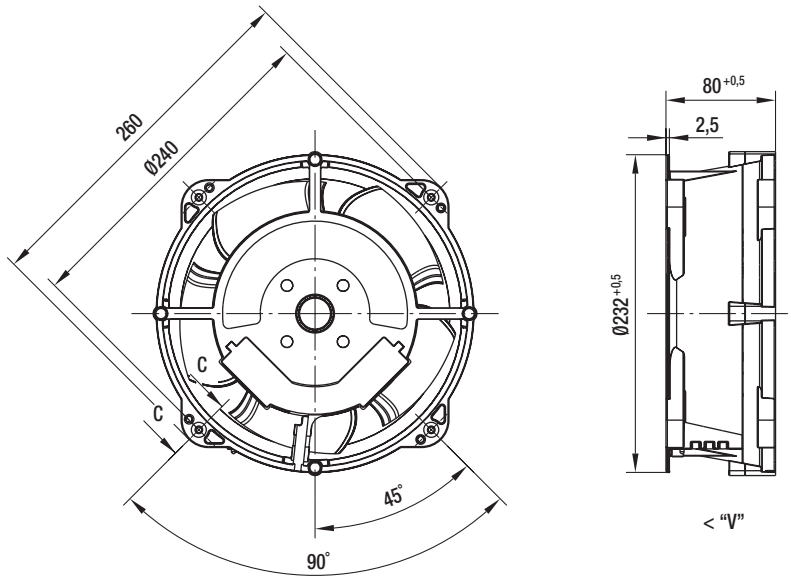
Type	W1G208-BA35-52	
Motor	M1G074-BF	
Nominal voltage	[VDC]	24
Type of data definition		rfa
Speed	[min ⁻¹]	3500
Power input	[W]	96
Current draw	[A]	4.4
Max. ambient temperature	[°C]	72
Air flow	[m ³ /h]	1050
Back pressure	[Pa]	0

ml = max. load · me = max. efficiency · rfa = running at free air · cs = customer specs · cu = customer unit
Subject to alterations

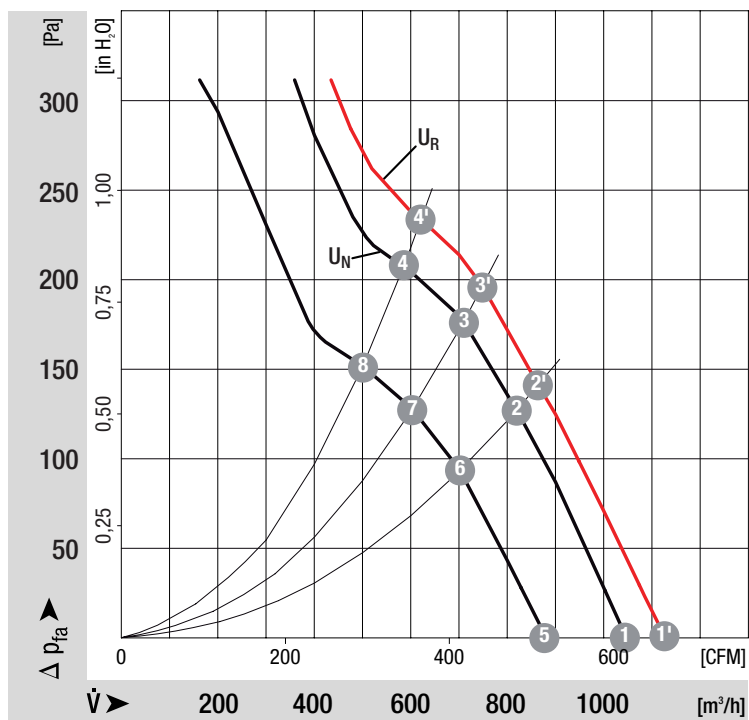
Technical features

Leakage current	<= 0,25 mA
Dimensions	208 mm
Size	208 mm
Operation mode	Continuous operation (S1)
Electrical leads	Via terminal strip
Direction of rotation	Counter-clockwise, seen on rotor
Insulation class	"B"
Cable exit	Variable
Bearing-motor	Ball bearing
Mass	2.3 kg
Housing material	Die-cast aluminum
Material of impeller	PA plastic
Motor protection	Reverse polarity and locked-rotor protection
Type of protection	IP 20
Protection class	I
Technical features	Control input 0-10 VDC / PWM, tach output, polarity and locked rotor protection, soft start
Approval	CSA; UL; VDE

Product drawing



Charts: Air flow



	n	P ₁	η _{TL}
	[min ⁻¹]	[W]	[%]
1'	3740	116	
2'	3500	118	52
3'	3450	119	53
4'	3530	118	48
1	3500	96	
2	3300	99	52
3	3250	100	53
4	3330	99	48
5	2960	58	
6	2830	63	52
7	2780	64	53
8	2840	62	48