

DV 6424 TDP

DC diagonal compact fan

sickled blades (S series)



ebm-papst St. Georgen GmbH & Co. KG

Hermann-Papst-Straße 1

74673 St. Georgen

Phone: +49 7724 81-0

Fax: +49 7724 81-1309

www.ebmpapst.com

info2@de.ebmpapst.com

Nominal data

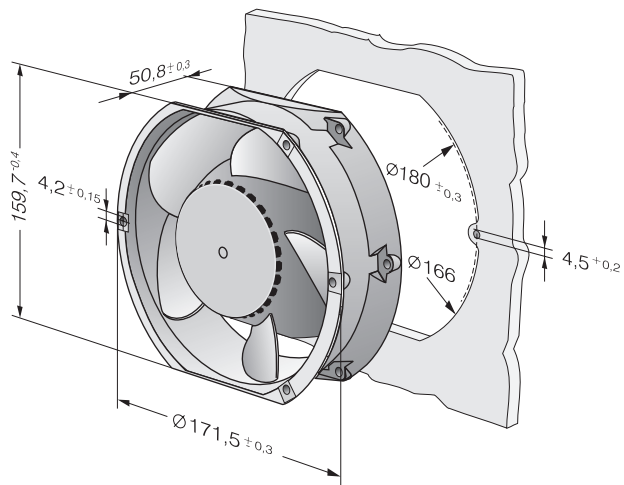
Type	DV 6424 TDP	
Nominal voltage	[VDC]	24
Speed	[min ⁻¹]	5500
Power input	[W]	91.0
Min. ambient temperature	[°C]	-20
Max. ambient temperature	[°C]	70
Air flow	[m ³ /h]	680
Sound power level	[B]	7.9
Sound pressure level	[dB(A)]	71

ml = max. load · me = max. efficiency · rfa = running at free air · cs = customer specs · cu = customer unit
Subject to alterations

Technical features

Dimensions	172 x 160 x 51 mm
General description	DC fan with 3-phase EC drive and completely integrated operating electronics. For speed control regardless of load, with highly intelligent motor management and with power and speed reserves that create brand-new areas of application Speed setting via pulse width modulated (PWM) signal
Connection line	Connection with wire strands. Housing with grounding lug for screw M4 x 8 (TORX).
Direction of protection	Left, looking at rotor, direction of rotation reversible
Direction of air flow	Air exhaust over bars.
Bearing	Ball bearings
Lifetime L10 at 40 °C	65000 h
Mass	0.820 kg
Material of impeller	Fiberglass-reinforced PA plastic
Approval	VDE, CSA, UL, CE

Product drawing



Charts: Air flow

