

DV 6448 TDP

# DC diagonal compact fan

sickled blades (S series)



## ebm-papst St. Georgen GmbH & Co. KG

Hermann-Papst-Straße 1

74673 St. Georgen

Phone: +49 7724 81-0

Fax: +49 7724 81-1309

www.ebmpapst.com

info2@de.ebmpapst.com

## Nominal data

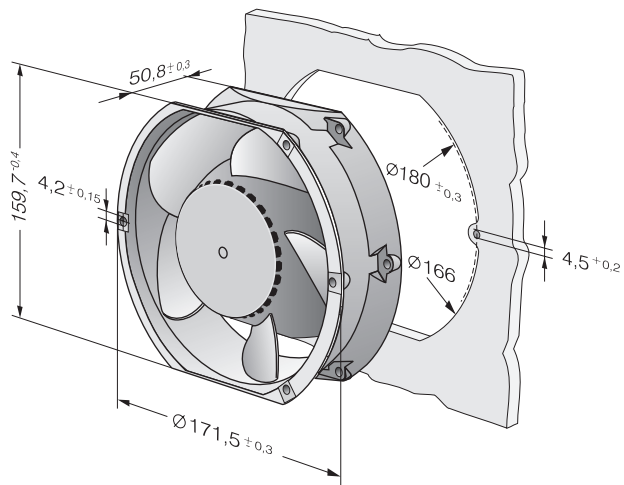
Type	DV 6448 TDP	
Nominal voltage	[VDC]	48
Speed	[min <sup>-1</sup> ]	5500
Power input	[W]	86.0
Min. ambient temperature	[°C]	-20
Max. ambient temperature	[°C]	60
Air flow	[m <sup>3</sup> /h]	680
Sound power level	[B]	7.9
Sound pressure level	[dB(A)]	71

ml = max. load · me = max. efficiency · rfa = running at free air · cs = customer specs · cu = customer unit  
Subject to alterations

## Technical features

<b>Dimensions</b>	172 x 160 x 51 mm
<b>General description</b>	DC fan with 3-phase EC drive and completely integrated operating electronics. For speed control regardless of load, with highly intelligent motor management and with power and speed reserves that create brand-new areas of application
<b>Connection line</b>	Connection with wire strands. Housing with grounding lug for screw M4 x 8 (TORX), with screws.
<b>Direction of protection</b>	Left, looking at rotor, direction of rotation reversible
<b>Direction of air flow</b>	Air exhaust over bars
<b>Bearing</b>	Ball bearings
<b>Lifetime L10 at 40 °C</b>	65000 h
<b>Mass</b>	0.820 kg
<b>Material of impeller</b>	Fiberglass-reinforced PA plastic
<b>Approval</b>	VDE, CSA, UL, CE

Product drawing



Charts: Air flow

