

DV 6448 TDA

DC diagonal compact fan

sickled blades (S series)



ebm-papst St. Georgen GmbH & Co. KG

Hermann-Papst-Straße 1

74673 St. Georgen

Phone: +49 7724 81-0

Fax: +49 7724 81-1309

www.ebmpapst.com

info2@de.ebmpapst.com

Nominal data

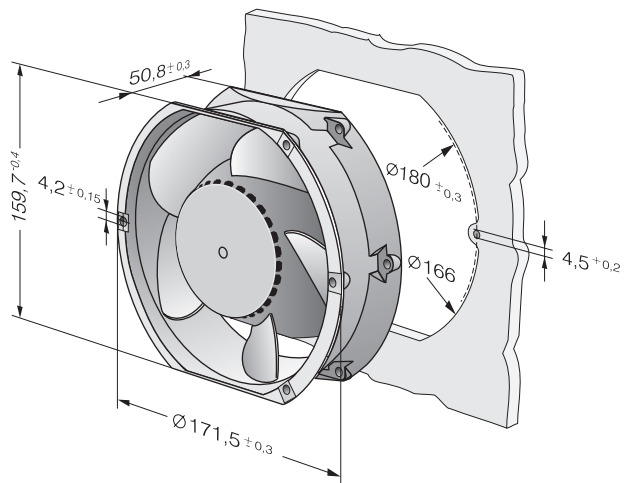
Type	DV 6448 TDA	
Nominal voltage	[VDC]	48
Speed	[min ⁻¹]	5500
Power input	[W]	89.0
Min. ambient temperature	[°C]	-20
Max. ambient temperature	[°C]	60
Air flow	[m ³ /h]	680
Sound power level	[B]	7.9
Sound pressure level	[dB(A)]	71

ml = max. load · me = max. efficiency · rfa = running at free air · cs = customer specs · cu = customer unit
Subject to alterations

Technical features

Dimensions	172 x 160 x 51 mm
General description	Diagonal fan with low noise when there is a high pressure saddle curve. Very rigid compression curve for high air flow at high counterpressure. Optional Vario-Pro: Highly flexible software configuration for the fan ensures an easily customizable solution to meet the individual requirements of your application. Electronic commutation completely integrated.
Connection line	Single strands AWG 22, TR 64, bared and tin-plated.
Direction of protection	Left, looking at rotor. Reversible direction of rotation.
Direction of air flow	Air exhaust over bars
Bearing	Ball bearings
Lifetime L10 at 40 °C	65000 h
Mass	0.820 kg
Material of impeller	Fiberglass-reinforced PA plastic
Motor protection	Protected against reverse polarity and locking.
Option	Control inputs such as alarm and speed signals.
Approval	VDE, CSA, UL, CE

Product drawing



Charts: Air flow

