

4414 L

# DC axial compact fan



## ebm-papst St. Georgen GmbH & Co. KG

Hermann-Papst-Straße 1

74673 St. Georgen

Phone: +49 7724 81-0

Fax: +49 7724 81-1309

www.ebmpapst.com

info2@de.ebmpapst.com

## Nominal data

Type	4414 L	
Nominal voltage	[VDC]	24
Speed	[min <sup>-1</sup> ]	2700
Power input	[W]	2.5
Min. ambient temperature	[°C]	-20
Max. ambient temperature	[°C]	70
Air flow	[m <sup>3</sup> /h]	150
Sound power level	[B]	5.0
Sound pressure level	[dB(A)]	37

ml = max. load · me = max. efficiency · rfa = running at free air · cs = customer specs · cu = customer unit  
Subject to alterations

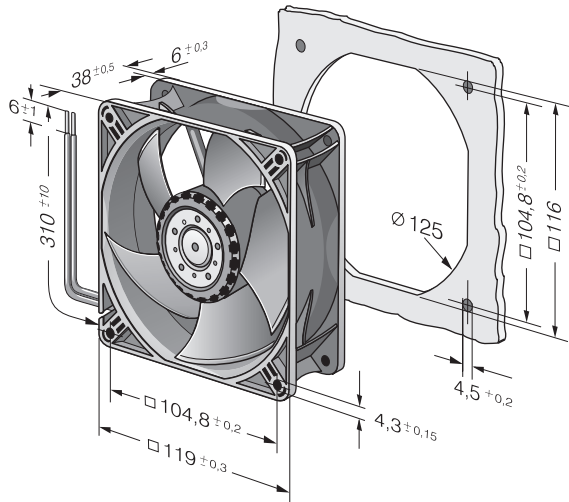
**Technical features**

<b>Dimensions</b>	119 x 119 x 38 mm
<b>General description</b>	Innovative impeller with winglets for low noise. Electronic commutation completely integrated.
<b>Connection line</b>	Single strands AWG 24, TR 64, bared and tin-plated.
<b>Direction of protection</b>	Right, looking at rotor
<b>Direction of air flow</b>	Air exhaust over bars
<b>Bearing</b>	Ball bearings
<b>Lifetime L10 at 40 °C</b>	67500 h
<b>Lifetime L10 at maximum temperature</b>	35000 h
<b>Mass</b>	0.250 kg
<b>Material of impeller</b>	Fiberglass-reinforced PBT plastic
<b>Motor protection</b>	Protected against reverse polarity and locking.
<b>Option</b>	Control inputs such as alarm and speed signals.

4414 L

# DC axial compact fan

## Product drawing



## Charts: Air flow

