

**ebm-papst St. Georgen GmbH & Co. KG**

Hermann-Papst-Straße 1

74673 St. Georgen

Phone: +49 7724 81-0

Fax: +49 7724 81-1309

www.ebmpapst.com

info2@de.ebmpapst.com

Nominal data

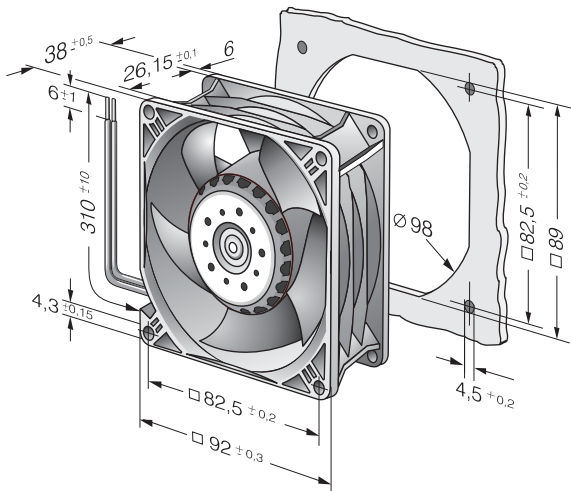
Type	3212 JH3	
Nominal voltage	[VDC]	12
Speed	[min ⁻¹]	11000
Power input	[W]	30
Min. ambient temperature	[°C]	-20
Max. ambient temperature	[°C]	70
Air flow	[m ³ /h]	237
Sound power level	[B]	7.8
Sound pressure level	[dB(A)]	69

ml = max. load · me = max. efficiency · rfa = running at free air · cs = customer specs · cu = customer unit
Subject to alterations

Technical features

Dimensions	92 x 92 x 38 mm
General description	DC fan with electronically commutated external rotor motor. Compact design with high power density. Rigid compression curve at low noise. Innovative impeller design with winglets.
Connection line	2 single strands AWG 22, TR 64
Direction of protection	Right, looking at rotor
Direction of air flow	Air exhaust over bars
Bearing	Ball bearings
Lifetime L10 at 40 °C	65000 h
Lifetime L10 at maximum temperature	32500 h
Mass	0.280 kg
Material of impeller	Fiberglass-reinforced PA plastic
Motor protection	Electronic reverse-polarity, locked-rotor, and overload protection.
Option	Vario-Pro fan

Product drawing



Charts: Air flow

