

**ebm-papst St. Georgen GmbH & Co. KG**

Hermann-Papst-Straße 1

74673 St. Georgen

Phone: +49 7724 81-0

Fax: +49 7724 81-1309

www.ebmpapst.com

info2@de.ebmpapst.com

Nominal data

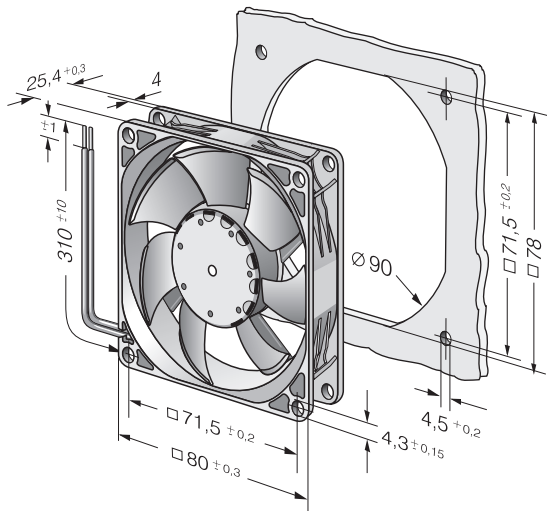
Type	8452 /2GHHP	
Nominal voltage	[VDC]	12
Speed	[min ⁻¹]	4400
Power input	[W]	4.2
Min. ambient temperature	[°C]	0
Max. ambient temperature	[°C]	60
Air flow	[m ³ /h]	88
Sound power level	[B]	5.5
Sound pressure level	[dB(A)]	43

ml = max. load · me = max. efficiency · rfa = running at free air · cs = customer specs · cu = customer unit
Subject to alterations

Technical features

Dimensions	80 x 80 x 25 mm
General description	Rigid compression curve for high air flow at high counterpressure. Motor has very low structure-borne noise. Innovative impeller with winglets for low noise. 25 kHz PWM and open collector speed signal. Electronic commutation completely integrated.
Connection line	Single strands AWG 24, TR 64, bared and tin-plated.
Direction of protection	Counterclockwise, looking at rotor
Direction of air flow	Air exhaust over bars
Bearing	Extremely quiet Sintec sleeve bearing.
Lifetime L10 at 40 °C	65000 h
Lifetime L10 at maximum temperature	40000 h
Mass	0.105 kg
Material of impeller	Fiberglass-reinforced PA plastic
Motor protection	Protected against reverse polarity and locking.

Product drawing



Charts: Air flow

