

**ebm-papst St. Georgen GmbH & Co. KG**

Hermann-Papst-Straße 1

74673 St. Georgen

Phone: +49 7724 81-0

Fax: +49 7724 81-1309

www.ebmpapst.com

info2@de.ebmpapst.com

**Nominal data**

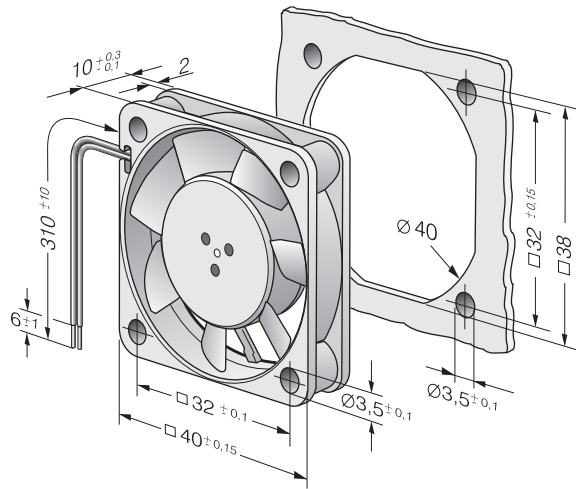
Type	412 F-130	
Nominal voltage	[VDC]	12
Speed	[min <sup>-1</sup> ]	5400
Power input	[W]	0.6
Min. ambient temperature	[°C]	20
Max. ambient temperature	[°C]	85
Air flow	[m <sup>3</sup> /h]	8
Sound power level	[B]	4.4
Sound pressure level	[dB(A)]	22.1

ml = max. load · me = max. efficiency · rfa = running at free air · cs = customer specs · cu = customer unit  
Subject to alterations

**Technical features**

<b>Dimensions</b>	40 x 40 x 10 mm
<b>General description</b>	Compact fan with low power consumption. Suitable for use at high ambient temperatures. Electronic commutation completely integrated.
<b>Connection line</b>	Single strands AWG 28, TR 64, bared and tin-plated.
<b>Direction of protection</b>	Counterclockwise, looking at rotor
<b>Direction of air flow</b>	Air exhaust over bars
<b>Bearing</b>	Sintec sleeve bearing
<b>Lifetime L10 at 20 °C</b>	45000 h
<b>Lifetime L10 at 60 °C</b>	15000 h
<b>Mass</b>	0.017 kg
<b>Material of impeller</b>	Fiberglass-reinforced PA plastic
<b>Motor protection</b>	Protected against reverse polarity and locking.

## Product drawing



**Charts: Air flow**

