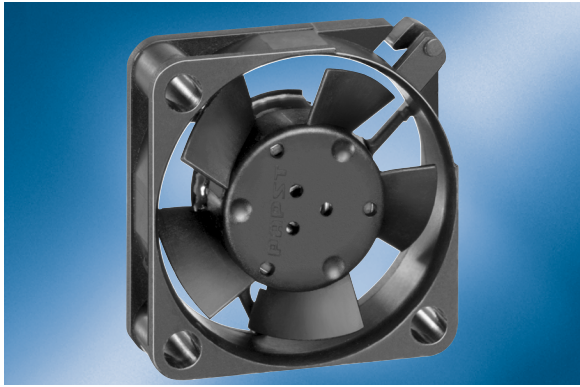


# DC axial fan

Series 250 25 x 25 x 8



- **General description:** DC micro-fan with electronically commutated external rotor motor. Commutation electronics completely integrated.

- **Impeller material:** Fiberglass-reinforced PA plastic

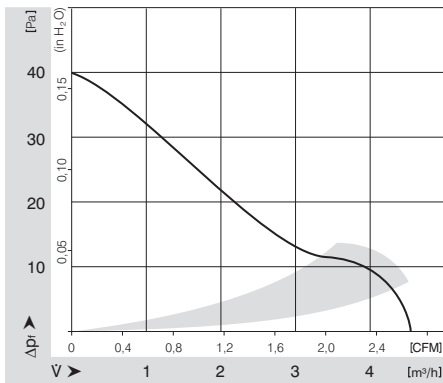
- **Housing material:** Fiberglass-reinforced PBT plastic

## Nominal data

Type	Motor	Voltage VDC	Voltage range VDC	Air flow m <sup>3</sup> /h	Speed 1/min	Power consumption W	Sound level Bel	Sound pressure level dB(A)	Ambient temperature °C	L10 service life at 20 °C h	L10 service life at max. temp. h	Weight kg
255 H	--	5	4.5 - 5.5	4.5	12000	0.6	4.4	23	-10 .. 55	35000	10000	0.005

Subject to modification

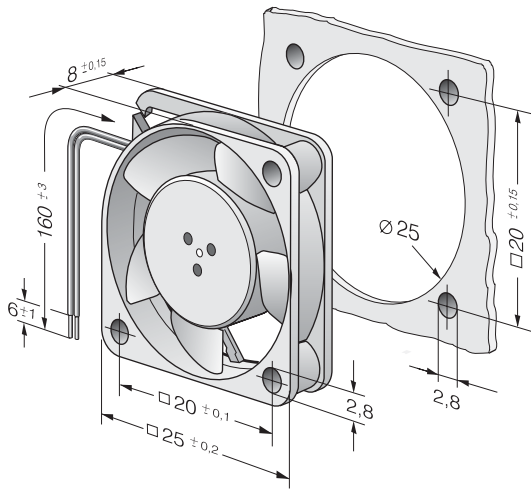
## Characteristic: Pressure over air flow



# DC axial fan

Series 250 25 x 25 x 8

## Specific drawing



## Technical description

- **General description:** DC micro-fan with electronically commutated external rotor motor. Commutation electronics completely integrated.
- **Housing material:** Fiberglass-reinforced PBT plastic
- **Direction of rotation:** Left, looking at rotor
- **Electrical connection:** 2 single strands AWG 28, TR 64
- **Approvals:** VDE, CSA, UL, CE

- **Impeller material:** Fiberglass-reinforced PA plastic
- **Bearings:** Sintec sleeve bearing system
- **Direction of air flow:** Air exhaust over bars
- **Motor protection:** With electronic reverse polarity protection. The fan runs only if the polarity is correct.
- **Option:** Speed signal

## Contact

### ebm-papst St. Georgen GmbH & Co. KG

Hermann-Papst-Straße 1  
D-78112 St. Georgen  
Phone +49 (0) 7724 / 81-0  
Fax +49 (0) 7724 / 81-1309  
info2@de.ebmpapst.com  
www.ebmpapst.com