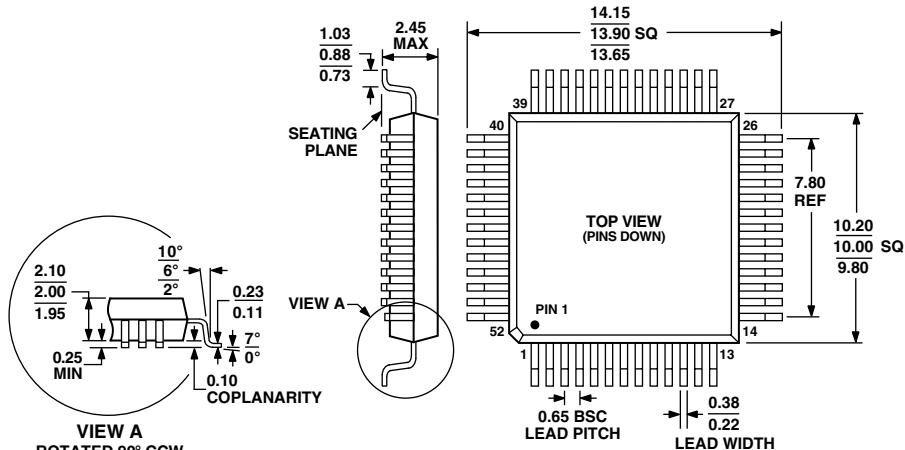


52-Lead Metric Quad Flat Package [MQFP]

(S-52-2)

Dimensions shown in millimeters



COMPLIANT TO JEDEC STANDARDS MO-112-AC-1