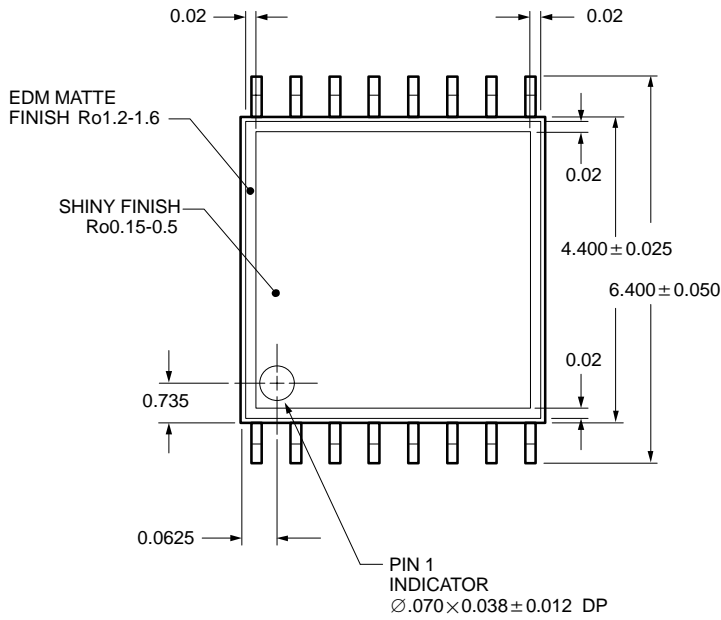
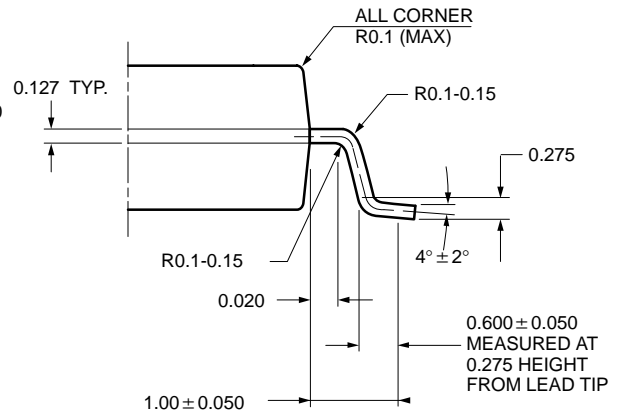




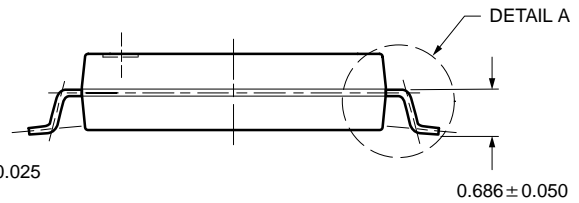
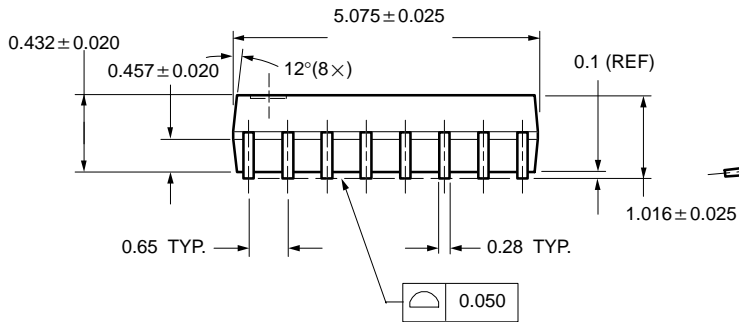
TSSOP: 16-LEAD



ECN: T-02152—Rev. G, 29-Jul-02
DWG: 5845



DETAIL A



All Dimensions In millimeters.