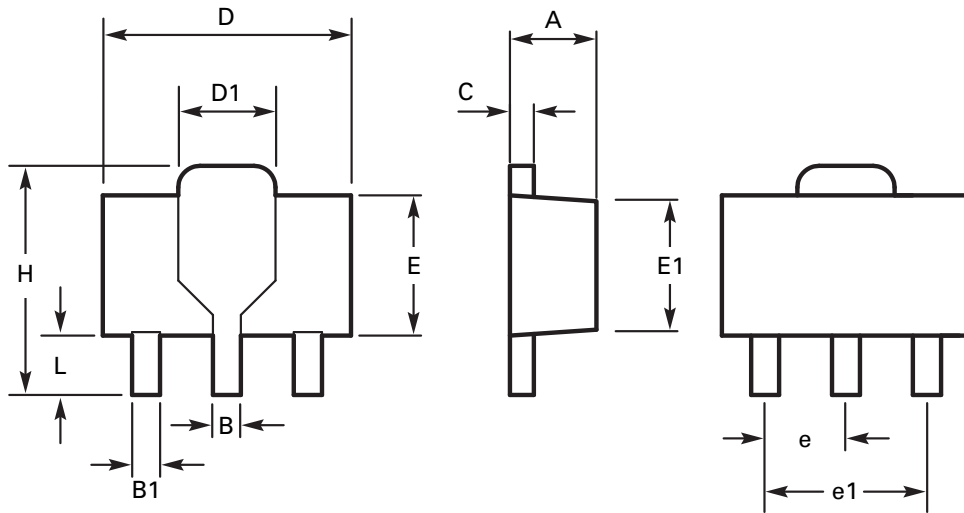


Package information - SOT89

Surface mounted, 4 pin package

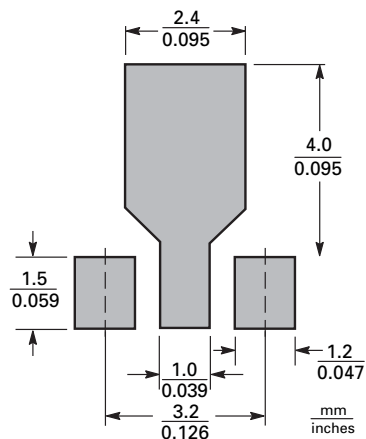
Package outline



| DIM | Millimeters | | Inches | | DIM | Millimeters | | Inches | |
|-----|-------------|------|--------|-------|-----|-------------|------|-----------|-------|
| | Min | Max | Min | Max | | Min | Max | Min | Max |
| A | 1.40 | 1.60 | 0.550 | 0.630 | E | 2.29 | 2.60 | 0.090 | 0.102 |
| B | 0.44 | 0.56 | 0.017 | 0.022 | E1 | 2.13 | 2.29 | 0.084 | 0.090 |
| B1 | 0.36 | 0.48 | 0.014 | 0.019 | e | 1.50 BSC | | 0.059 BSC | |
| C | 0.35 | 0.44 | 0.014 | 0.017 | e1 | 3.00 BSC | | 0.118 BSC | |
| D | 4.40 | 4.60 | 0.173 | 0.181 | H | 3.94 | 4.25 | 0.155 | 0.167 |
| D1 | 1.52 | 1.83 | 0.064 | 0.072 | L | 0.89 | 1.20 | 0.035 | 0.047 |

Note: Controlling dimensions are in millimeters. Approximate dimensions are provided in inches

Soldering footprint

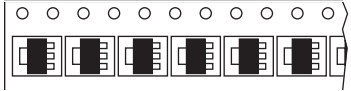



Package information - SOT89

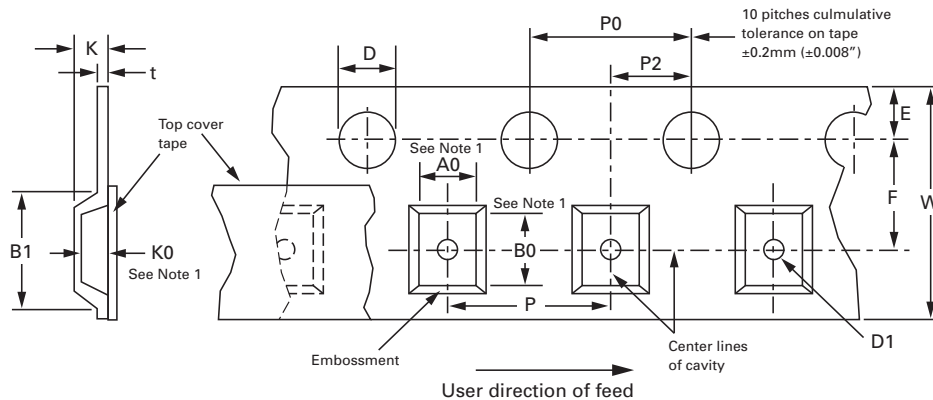
Nominal weight

Nominal weight per device 51.4mg.

Tape and reel information

| Orientation | Tape width (mm) | Reel size (inches) | No. of components | Tape option indicator |
|---|-----------------|--------------------|-------------------|-----------------------|
|  | 12 | 7 | 1,000 | TA |
|  | 12 | 13 | 4,000 | TC |

Embossed carrier tape configuration



| Dimensions mm (inches) | Tape size (mm) | | | |
|------------------------|--------------------------------|--|---|---|
| | 8 | 12 | 16 | 24 |
| A0, B0, K0 | See note* | See note* | See note* | See note* |
| B1 (max.) | 4.55 (0.179) | 8.20 (0.323) | 12.10 (0.476) | 20.10 (0.791) |
| D | 1.50 + 0.10 - 0.00 | 1.50 + 0.10 - 0.00 | 1.50 + 0.10 - 0.00 | 1.50 + 0.10 - 0.00 |
| D1 (max.) | 1.00 (0.039) | 1.50 (0.059) | 1.50 (0.059) | 1.50 (0.059) |
| E | 1.75 ± 0.10 | 1.75 ± 0.10 | 1.75 ± 0.10 | 1.75 ± 0.10 |
| F | 3.50 ± 0.10 (0.138 ± 0.004) | 5.50 ± 0.05 (0.217 ± 0.002) | 7.50 ± 0.10 (0.295 ± 0.004) | 11.50 ± 0.10 (0.453 ± 0.004) |
| P | 4.00 ± 0.10 (0.157 ± 0.004) | 4.00 ± 0.10 (0.157 ± 0.004) 8.00 ± 0.10 (0.315 ± 0.004) | 4.00 ± 0.10 (0.157 ± 0.004) 8.00 ± 0.10 (0.315 ± 0.004) 12.00 ± 0.10 (0.472 ± 0.004) | 4.00 ± 0.10 (0.157 ± 0.004) to 20.00 ± 0.10 (0.787 ± 0.004) in 4.00 (0.157) increments |
| P0 | 4.00 ± 0.10 | 4.00 ± 0.10 | 4.00 ± 0.10 | 4.00 ± 0.10 |
| P2 | 2.00 ± 0.05 | 2.00 ± 0.05 | 2.00 ± 0.05 | 2.00 ± 0.05 |
| t (max.) | 0.40 | 0.40 | 0.40 | 0.40 |
| W | 8.00 (0.315) | 12.00 ± 0.30 (0.472 ± 0.012) | 16.30 (0.642) | 24.30 (0.957) |

NOTES:

* A0, B0 and K0 dimensions are determined with respect to EIA/JEDEC rotational and lateral movement requirements (see fig. 1).

Package information - SOT89

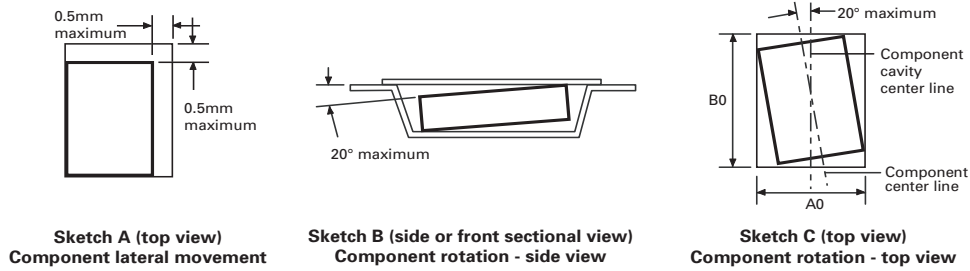
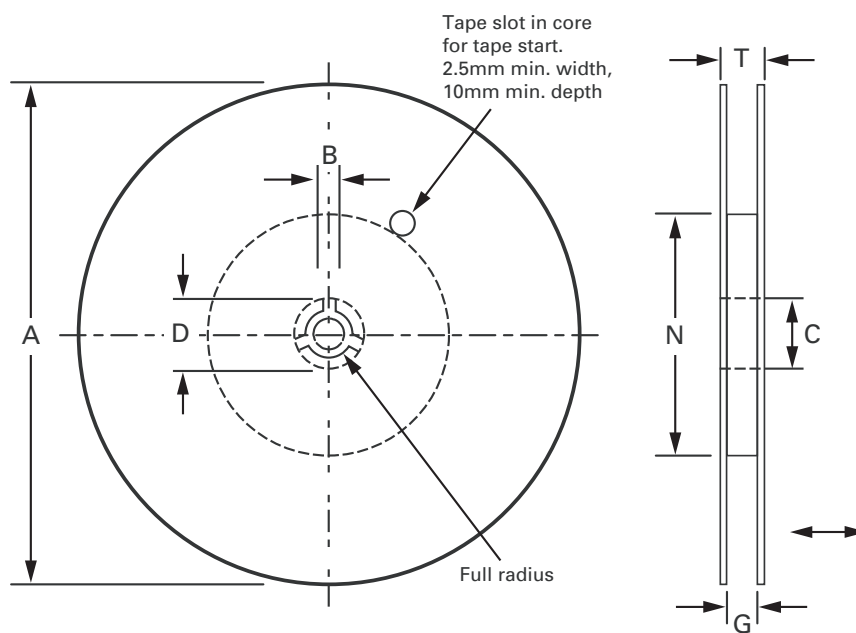


Figure 1 - rotational and lateral movement

Reel configuration



| Tape option | A max. | B min. | C | D min. | N min. |
|-------------|--------------|------------|---------------------------------|--------------|------------|
| TA | 179 (7.047) | 1.5 (0.06) | 13.00 - 13.02 (0.512 - 0.52) | 25.0 (0.984) | 50 (1.969) |
| TC | 330 (12.992) | | | 20.2 (0.795) | |

| Tape size | G | T max. |
|-----------|----------------------------|--------------|
| 8mm | 8.4 -9.9 (0.33 - 0.39) | 14.4 (0.567) |
| 12mm | 12.4 -16.4 (0.49 - 0.569) | 18.4 (0.724) |
| 16mm | 16.4 -18.4 (0.65 - 0.729) | 22.4 (0.882) |
| 24mm | 24.4 - 26.4 (0.96 - 1.039) | 30.4 (1.197) |

This publication is issued to provide outline information only which (unless agreed by the company in writing) may not be used, applied or reproduced for any purpose or form part of any order or contact or be regarded as a representation relating to the products or services concerned. The company reserves the right to alter without notice the specification, design, price or conditions of supply of any product or service.